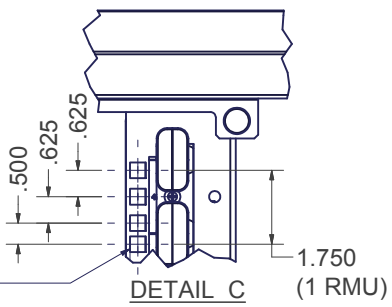


CONFIG PART #	
910ENT4048-FK	910EN4048-FK
EN FRAME 91"H x 40"W x 48"D WITH 2 PAIR OF 48 RMU #10-32 TAPPED RAILS AND CABLE MANAGMENT FINGERS ON ALL RAILS	EN FRAME 91"H x 40"W x 48"D WITH 2 PAIR OF 48 RMU M6 RAILS AND CABLE MANAGMENT FINGERS ON ALL RAILS



19" EIA 310-D COMPLIANT  
REF PART # FOR  
#10-32UNF TAPPED  
EQUIP MTG HOLES  
or  
3/8" SQUARE EQUIP  
MTG HOLES FOR M6  
CAGE NUTS

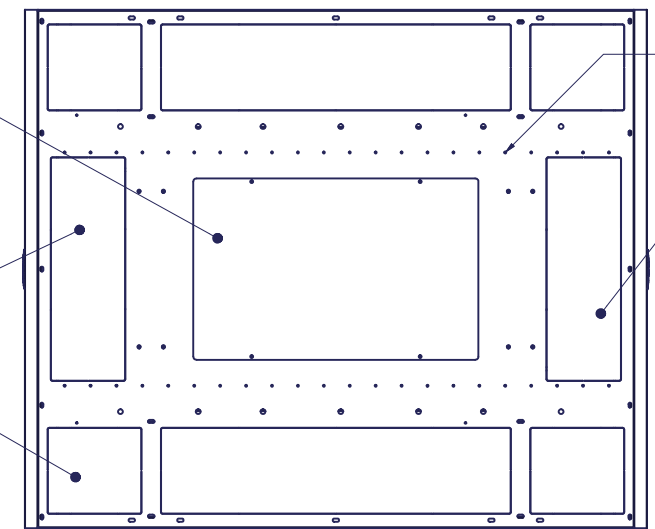
TOP PANEL OPENING (273 sq.in.)  
SOLID, VENTED, OR w/ EXHAUST  
FANS FOR UP TO 1100 CFM

5.75 x 17.25 CABLE PASS-  
THROUGH KNOCK-OUT  
(99.2 sq in), (2) PLACES

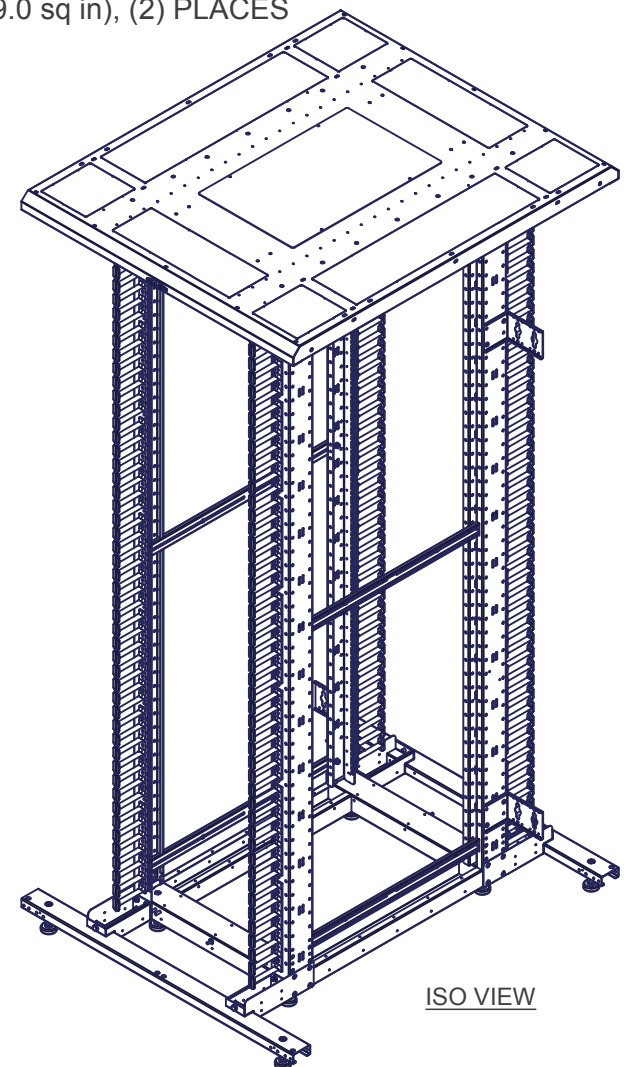
6.63 x 7.25 CABLE PASS-  
THROUGH KNOCK-OUTS  
(48.1 sq in), (4) PLACES

INDEPENDANT MOUNTING  
LOCATIONS FOR LADDER  
RACK BRACKETS OR TOP  
MOUNTED CABLE TROUGHS

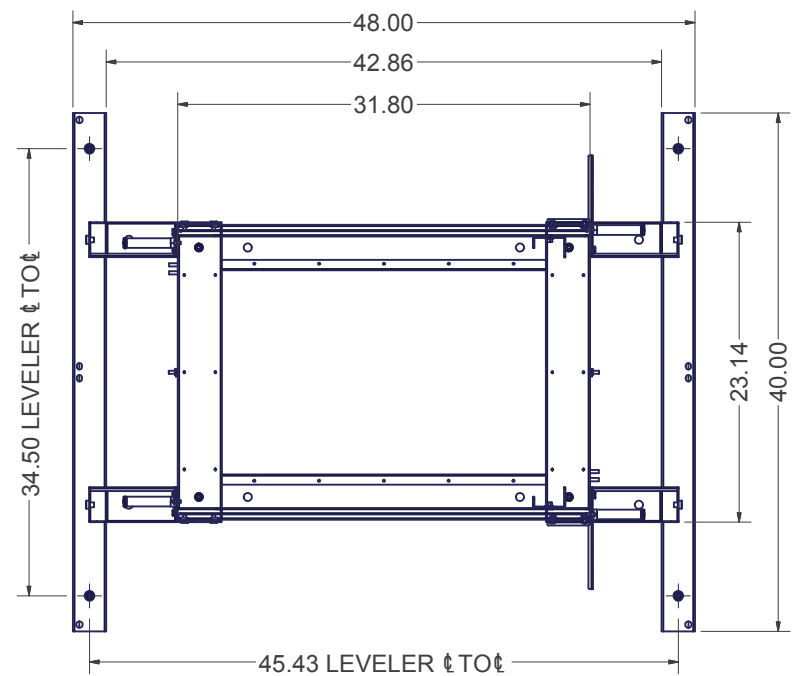
6.63 x 27.00 CABLE PASS-  
THROUGH KNOCK-OUT  
(179.0 sq in), (2) PLACES



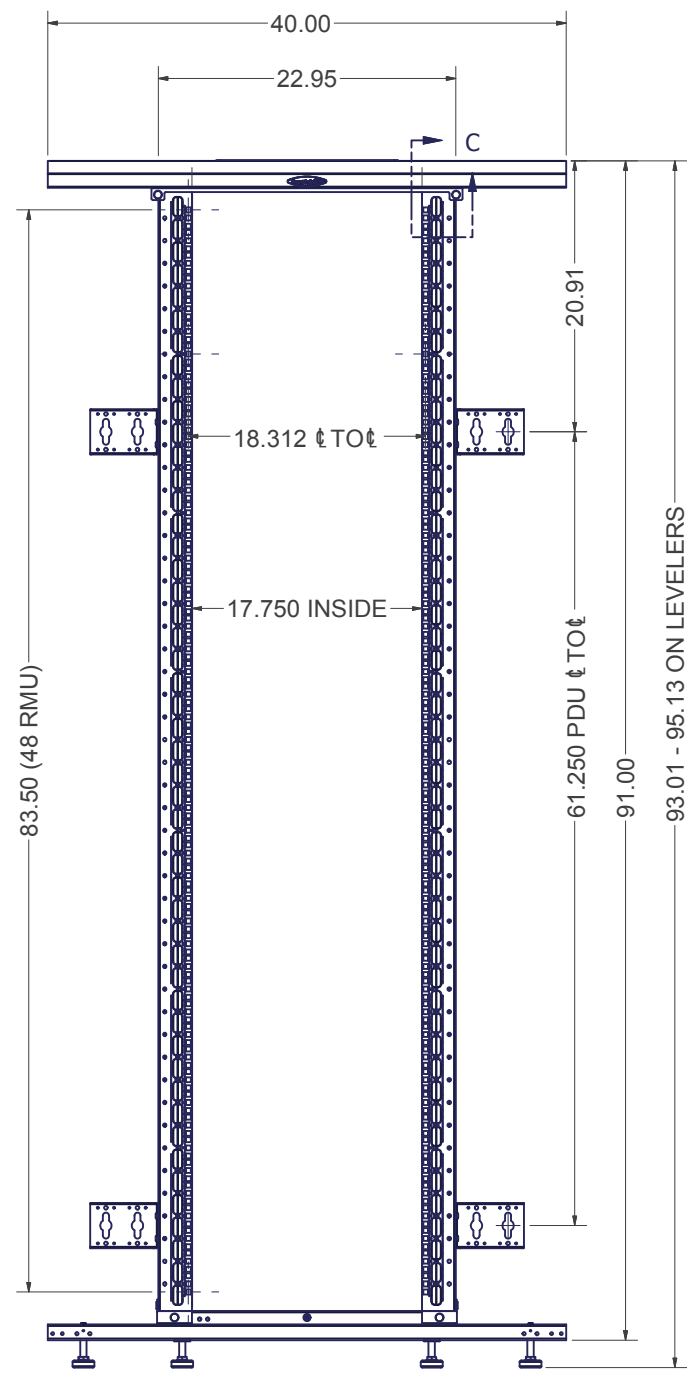
TOP VIEW



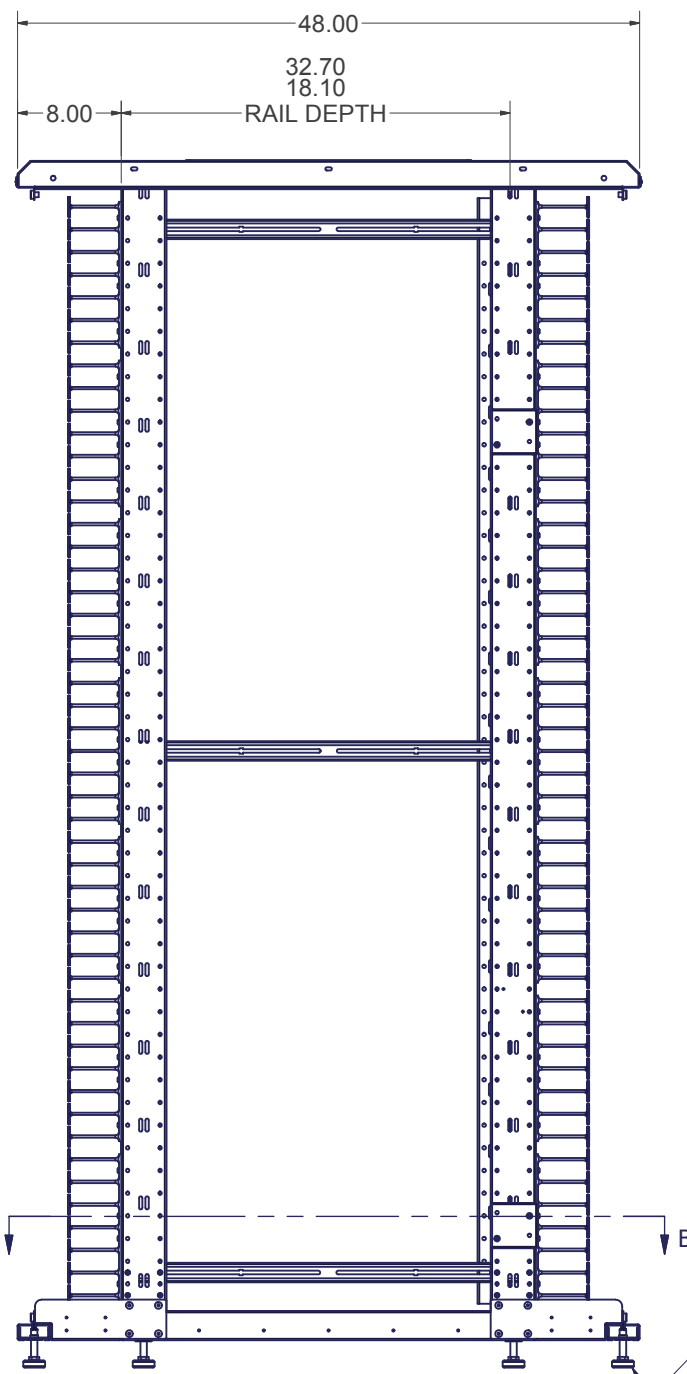
ISO VIEW



SECTION B-B



FRONT VIEW



RIGHT SIDE VIEW

**SPECIFICATIONS:**

- CONFIG. # KIT INCLUDES:** QTY. 1 9101ENX4048, BASE FRAME UNIT WITH RAILS
- DIMENSIONS :** 91.0"H x 40.0"W x 48.0"D
- RACK SPACES :** 48 RMU w/ NUMBERED RMU INDICATORS, 19" EIA 310-D COMPLIANT.
- COLOR :** DURABLE TEXTURED BLACK POWDER COATING
- CONSTRUCTION :** FULL WELDED FRAME WITH RECESSED #12 GA CORNER POSTS  
1 PAIR FIXED #12 GA RAILS, 1 PAIR ADJUSTABLE DEPTH #12 GA RAILS & SOLID CRS TP PANEL
- HARDWARE :** PACKAGE OF QTY-50; #10-32 SCREWS -OR- M6 SCREWS W/ CAGE NUTS, INCLUDED.

**NOTICE:**

Use of this document is subject to a confidentiality and nondisclosure agreement with Great Lakes Case & Cabinet Co., Inc. (GLCC) and may not be reproduced, disclosed or utilized in whole or in part without prior written authorization from GLCC.

INTERPRET DRAWING PER ASME Y14.5M-1994
DIMENSIONAL LIMITS APPLY AFTER APPLICATION OF FINISH
DRAWING NOT TO SCALE
TOLERANCE UNLESS OTHERWISE NOTED:
ANGULAR +/- .1"
.XXXX +/- .010
.XXX +/- .015
.XX +/- .030
.X FOR REF. ONLY
UNLESS OTHERWISE SPECIFIED ALL DIMENSIONS ARE IN INCHES

PART NUMBER: SEE CHART	TITLE "EN" SERIES ENCLOSURE FRAME KIT, 91"H x 40"W x 48"D, w/ SOLID TOP PANEL
QTY PER UNIT: 1	GREAT LAKES CASE & CABINET CO., INC. P.O. BOX 551 EDINBORO, PA 16412 PHONE (814) 734-7303 FAX (814) 734-3907 E-MAIL glcc@greatcabinets.com
MATERIAL TYPE: -	DWG NO: SEE CHART
MATERIAL GAUGE: -	REV -
FINISH: -	DRAWN FED CHECKED & APP. WSS
DATE 5/13/2014	DATE 5/13/2014

DWG NO: SEE CHART	REV -	SHEET: 1 OF 1
----------------------	----------	---------------



(8) LEVELING GLIDES  
IN 1/2-13 UNC HOLES