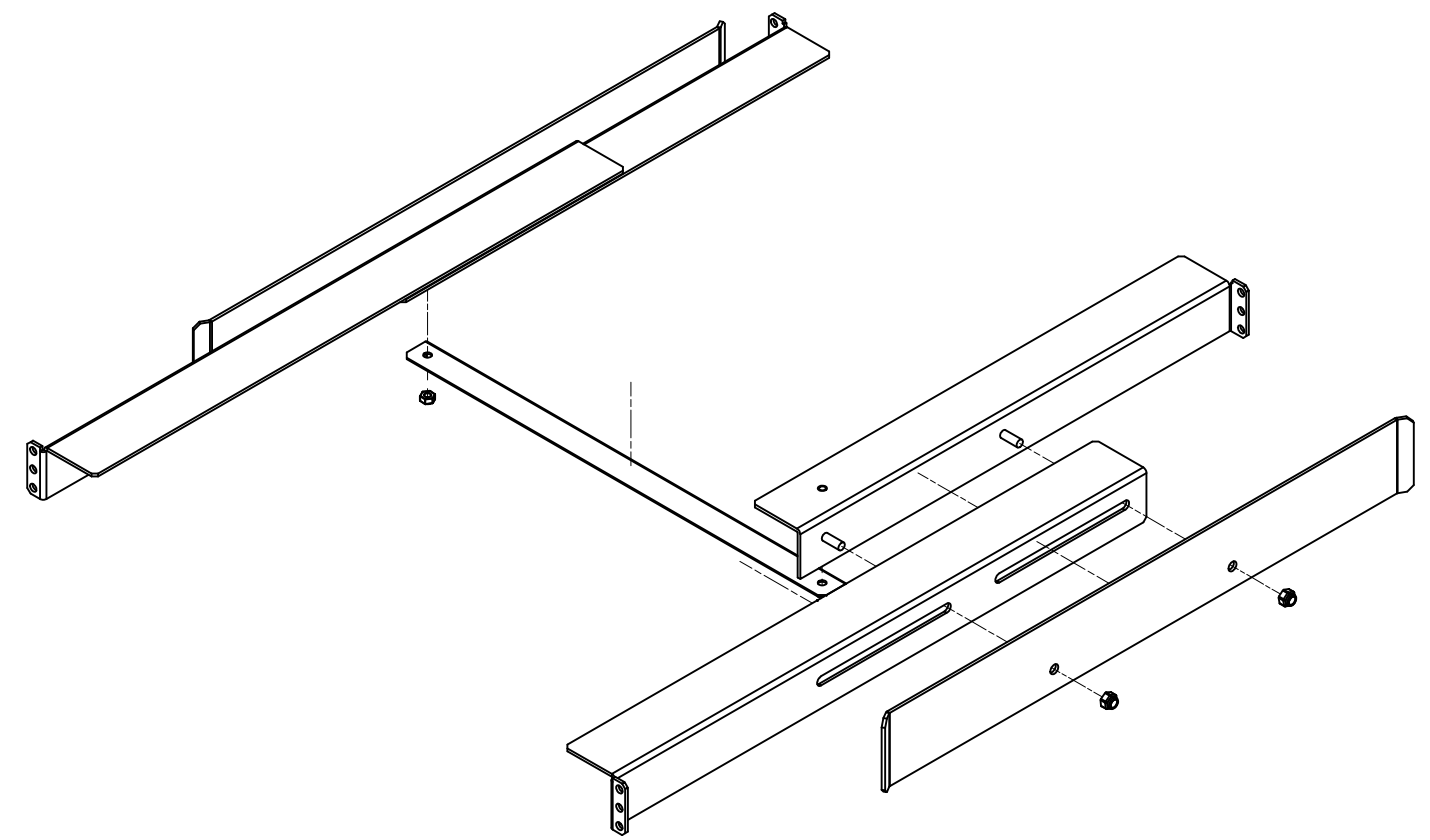


CONSTRUCTION

- SHIPS FLAT AS KIT
- STEEL COMPONENTS - DURABLE TEXTURED POWDERCOAT
- 12 GA. C.R.S. GUIDE PLATES
- 12 GA. C.R.S. FRONT AND REAR BRACKETS
- 16 GA C.R.S. CENTER CROSS BRACE



EST. WEIGHT :
11.99 lbmass



INTERPRET DRAWING PER ASME Y14.5M-1994
 DIMENSIONAL LIMITS APPLY
 AFTER APPLICATION OF FINISH
 DRAWING NOT TO SCALE
 TOLERANCE UNLESS OTHERWISE NOTED:
 ANGULAR +/- .1°
 .XXXX +/- .010
 .XXX +/- .015
 .XX +/- .030
 .X FOR REF. ONLY
 UNLESS OTHERWISE SPECIFIED
 ALL DIMENSIONS ARE IN INCHES

NOTICE:
 Use of this document is subject to a confidentiality and nondisclosure agreement with Great Lakes Case & Cabinet Co., Inc. (GLCC) and may not be reproduced, disclosed or utilized in whole or in part without prior written authorization from GLCC.

PART NUMBER:
ESF24-29
 QTY PER UNIT: 1
 MATERIAL TYPE:
 MATERIAL GAUGE:
 FINISH:
 DRAWN DATE
PCS 7/18/2013
CHECKED & APP. DATE

TITLE
EQUIPMENT SUPPORT FRAME SET FOR 24" TO 29" RAIL TO RAIL ADJUSTMENT, 19" EIA
GREAT LAKES CASE & CABINET CO., INC.
 P.O. BOX 551 EDINBORO, PA 16412
 PHONE (814) 734-7303 FAX (814) 734-3907
 E-MAIL glcc@greatcabinets.com
 DWG NO. REV SHEET: 1 OF 1