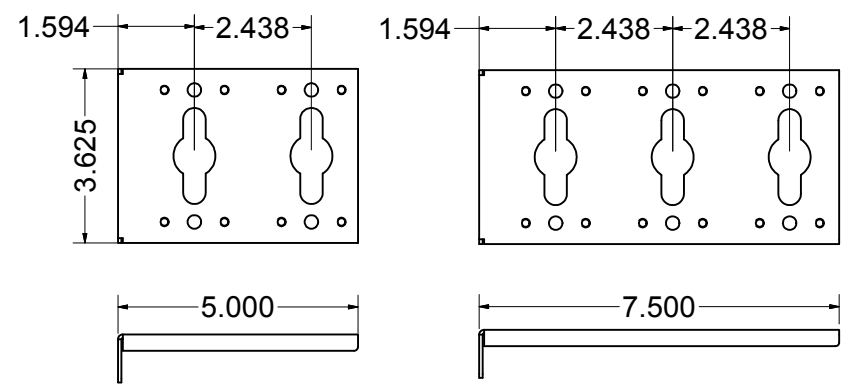
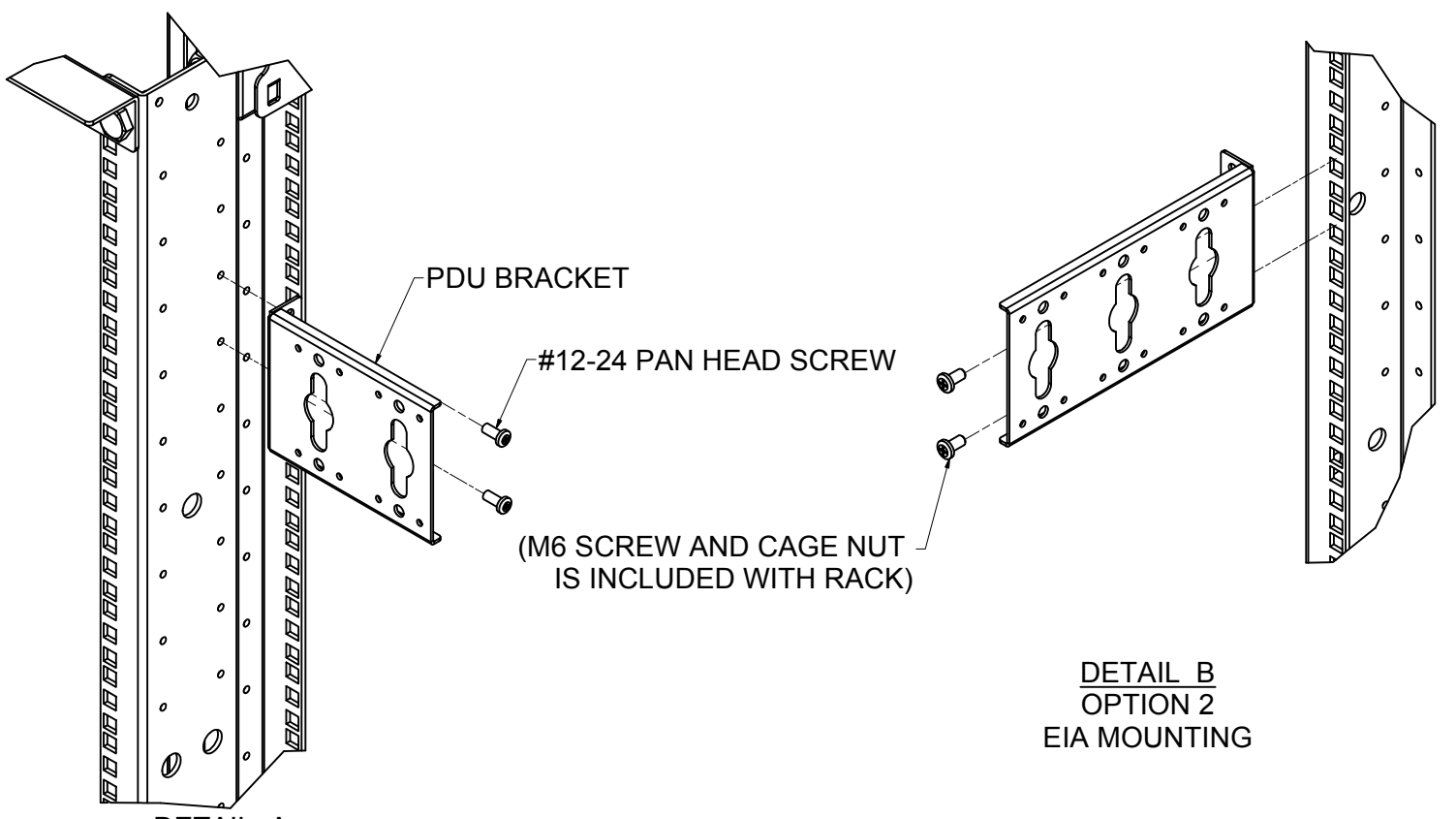
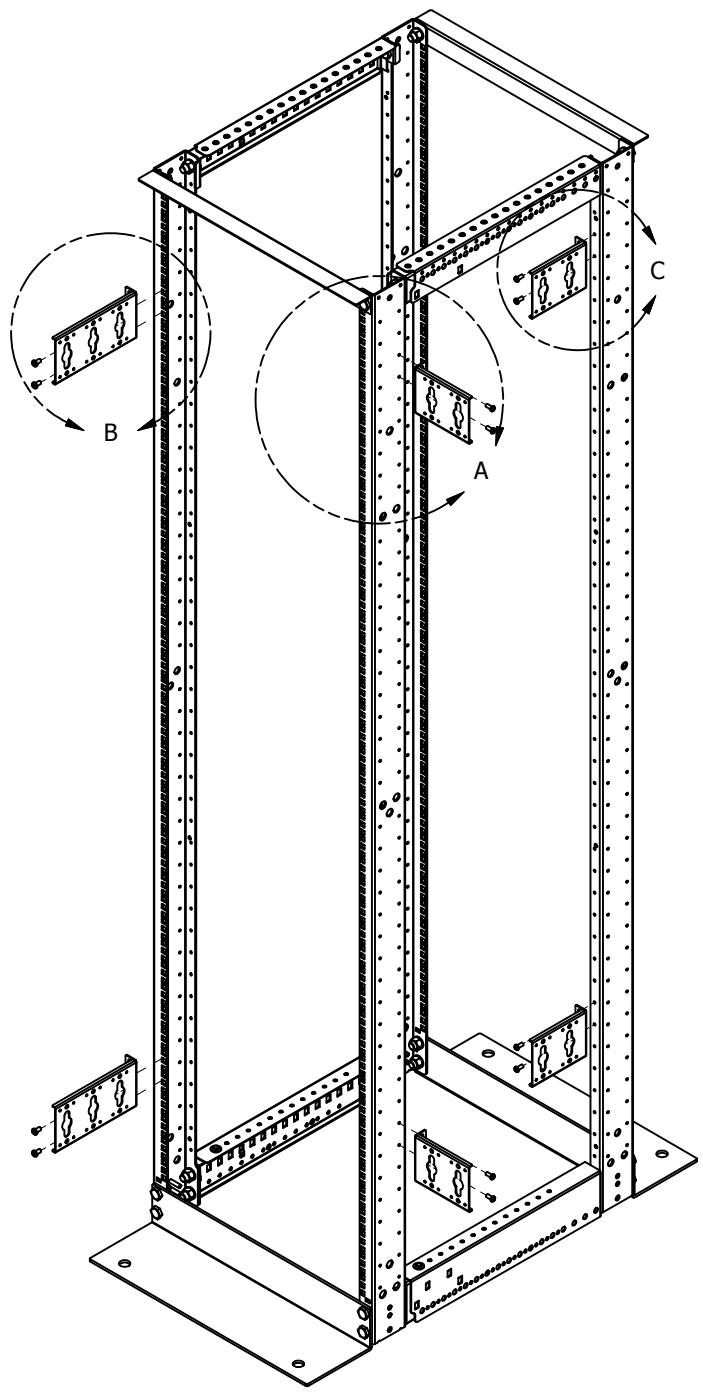
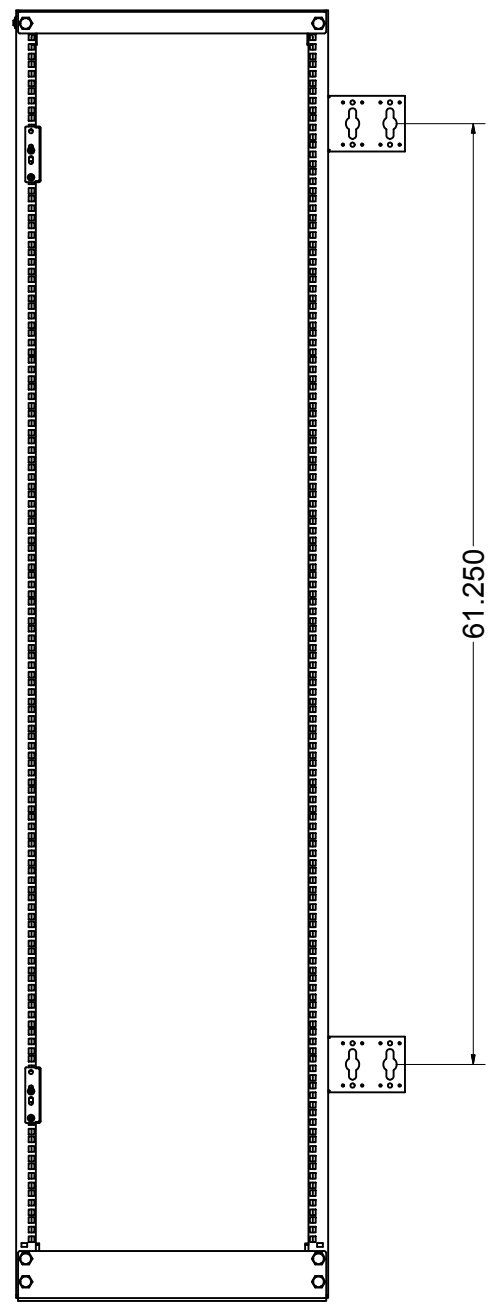
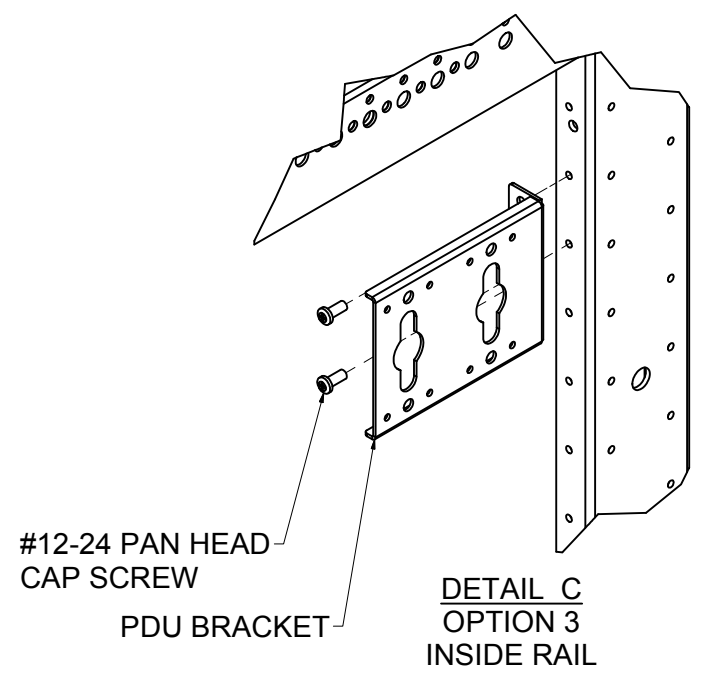


REVISION HISTORY			
REV	DESCRIPTION	DATE	APPROVED
0			



DETAIL B
OPTION 2
EIA MOUNTING



TOOLS & INSTRUCTION

TOOLS: PHILIPS HEAD SCREWDRIVER

- 1) INSTALL PDU BRACKET AT 61.25" SPACING USING THE PROVIDED HARDWARE AS SHOWN.

EST. WEIGHT :
96.77 lbmass



INTERPRET DRAWING PER ASME Y14.5M-1994
DIMENSIONAL LIMITS APPLY
AFTER APPLICATION OF FINISH
DRAWING NOT TO SCALE
TOLERANCE UNLESS OTHERWISE NOTED:
ANGULAR +/- .1°
.XXXX +/- .010
.XXX +/- .015
.XX +/- .030
.X FOR REF. ONLY
UNLESS OTHERWISE SPECIFIED
ALL DIMENSIONS ARE IN INCHES

NOTICE:

Use of this document is subject to a confidentiality and nondisclosure agreement with Great Lakes Case & Cabinet Co., Inc. (GLCC) and may not be reproduced, disclosed or utilized in whole or in part without prior written authorization from GLCC.

PART NUMBER:
PDUER-INSTRUCTIONS
QTY PER UNIT: 1
MATERIAL TYPE:
MATERIAL GAUGE:
FINISH:
DRAWN DATE: 2/7/2014
PCS
CHECKED & APP. DATE

TITLE
GREAT LAKES CASE & CABINET CO., INC.
P.O. BOX 551 EDINBORO, PA 16412
PHONE (814) 734-7303 FAX (814) 734-3907
E-MAIL glcc@greatcabinets.com