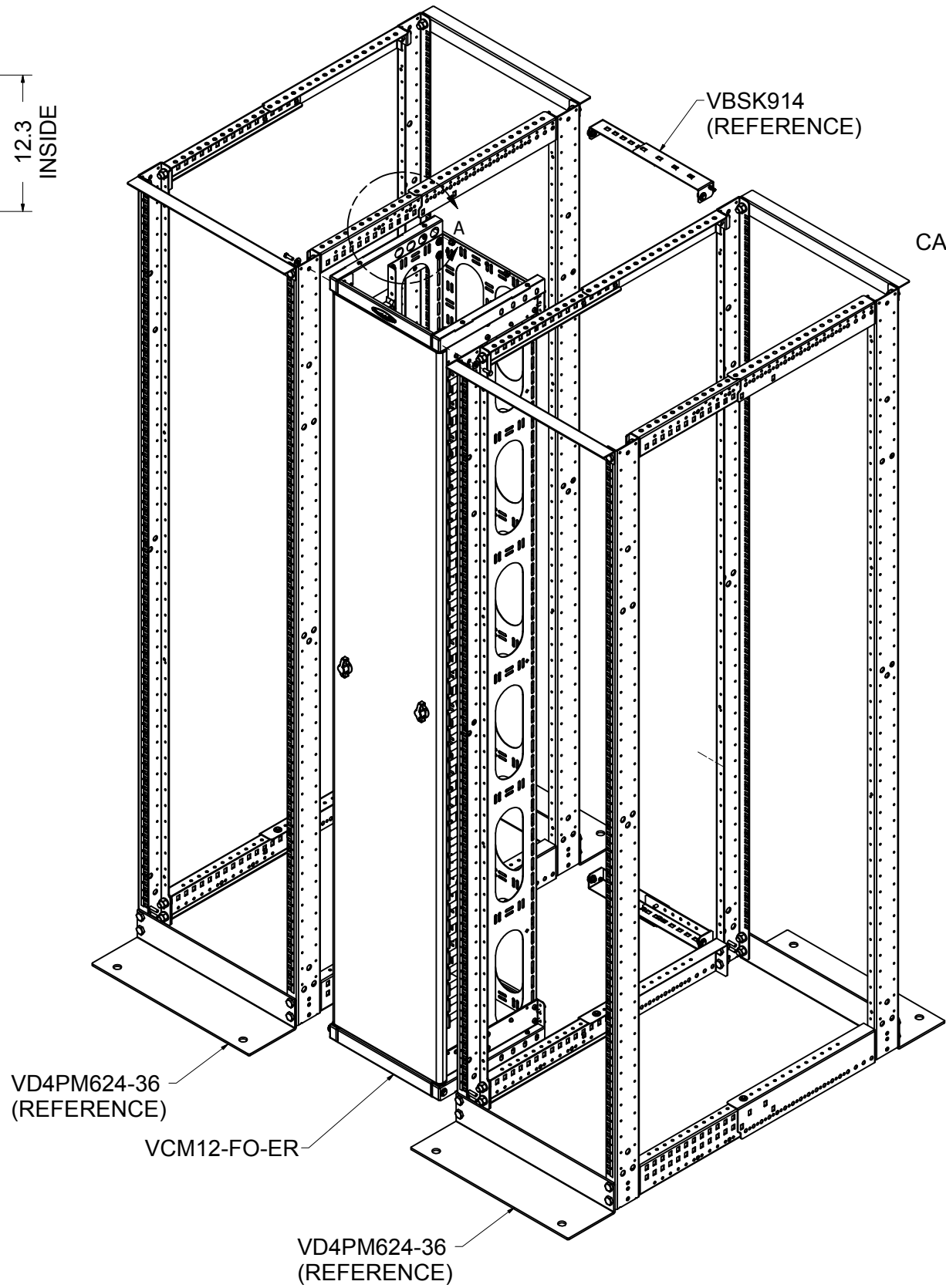
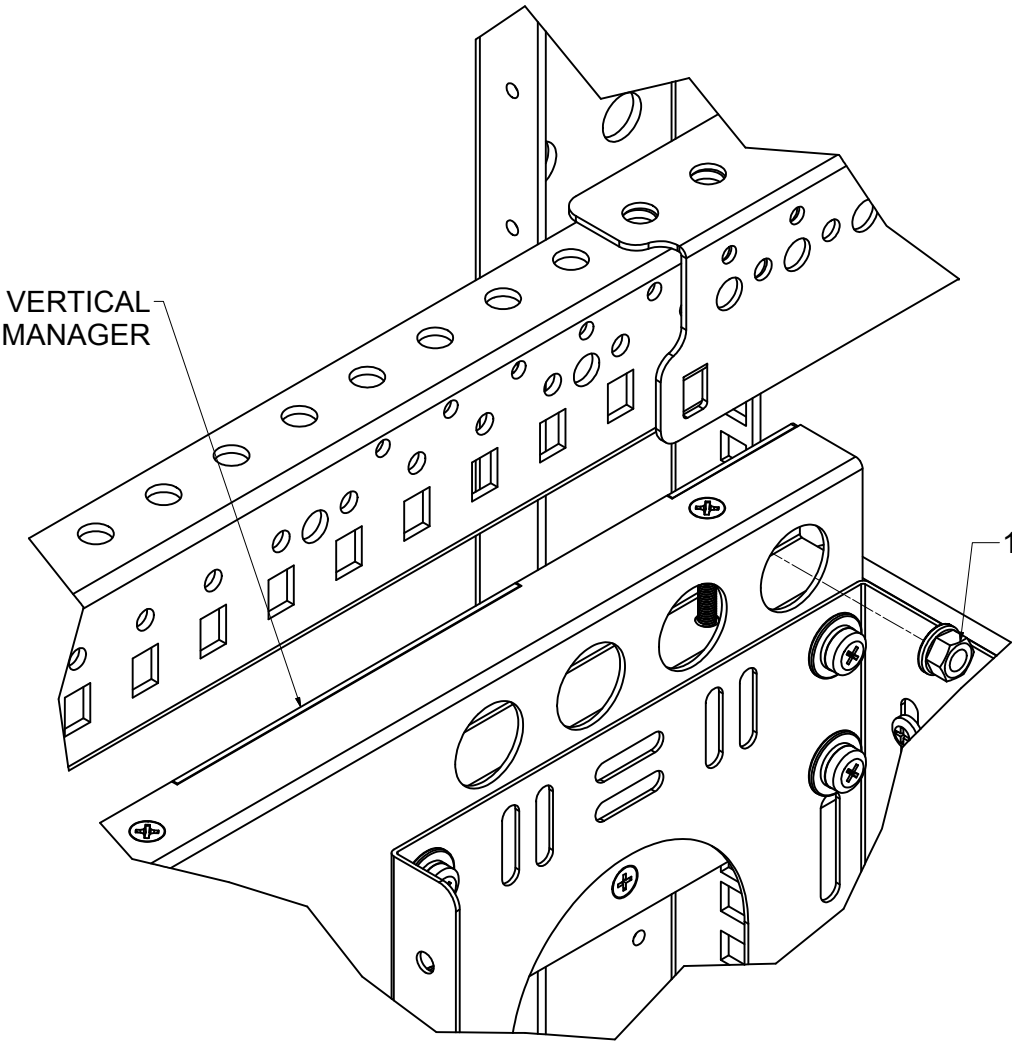


**VCM12-FO-ER**



12" VERTICAL CABLE MANAGER



**DETAIL A**  
TYP (4) PLC'S

**CONSTRUCTION**

- BOLT TOGETHER CONSTRUCTION.
- STEEL COMPONENTS - DURABLE TEXTURE POWDERCOAT
- 16 GA. C.R.S. MAIN CHANNEL
- 14 GA. C.R.S. TOP AND BOTTOM SUPPORT BRACKETS
- 18 GA. C.R.S. SWINGING DOOR
- 12 GA. C.R.S. "EIA" MOUNTING BRACKETS

EST. WEIGHT :  
241.38 lbmass

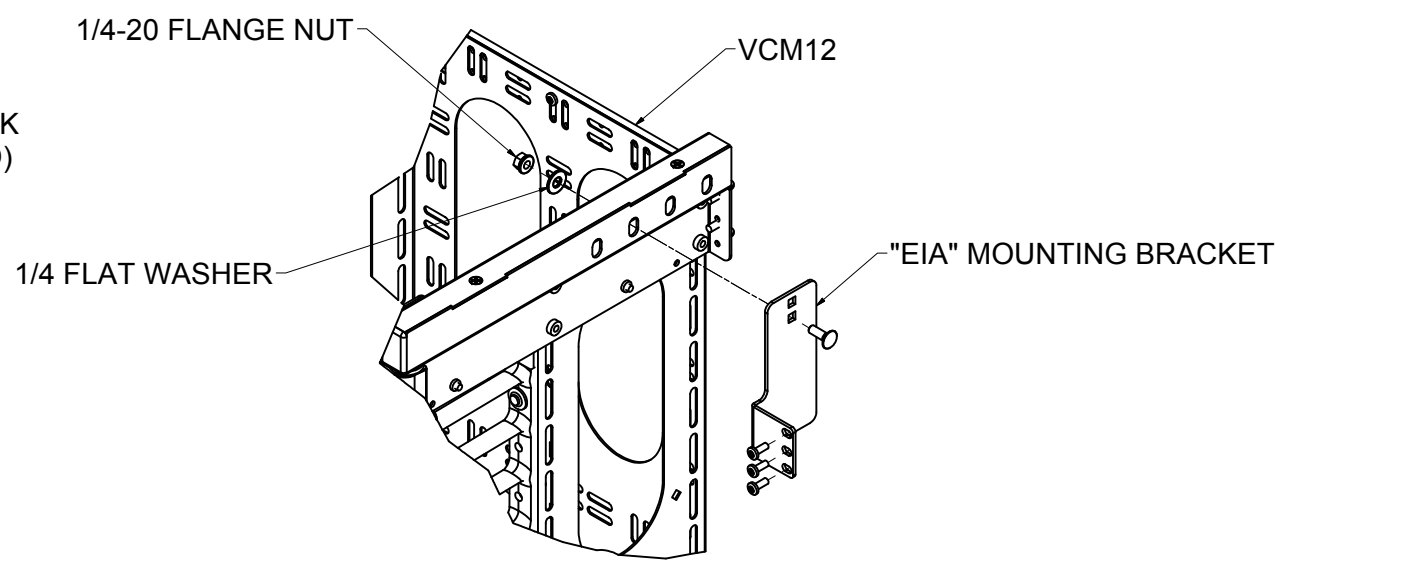
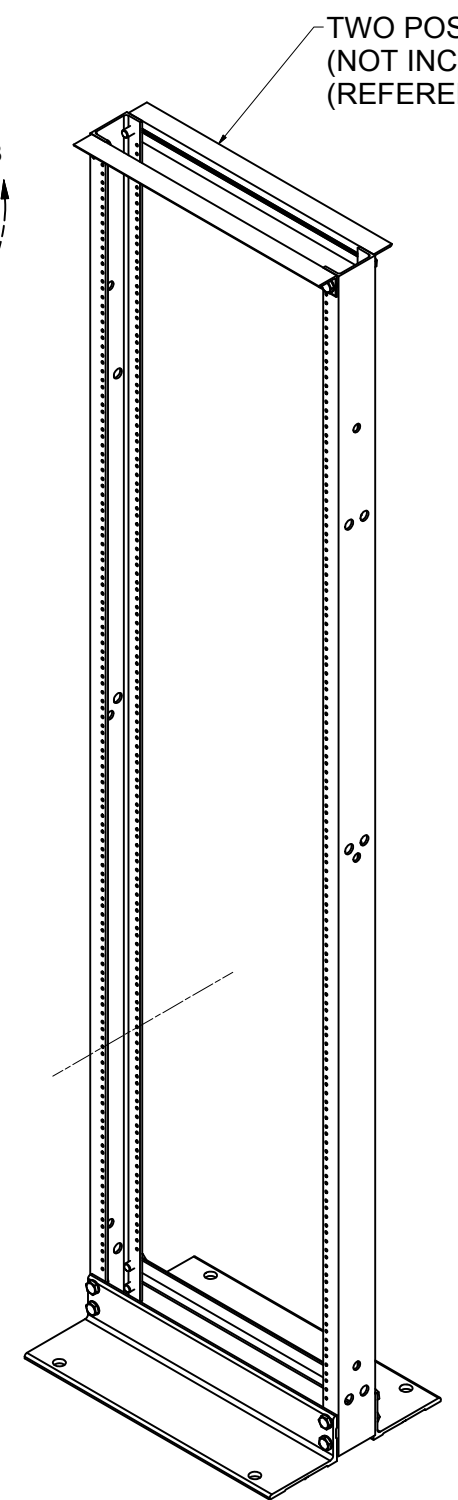
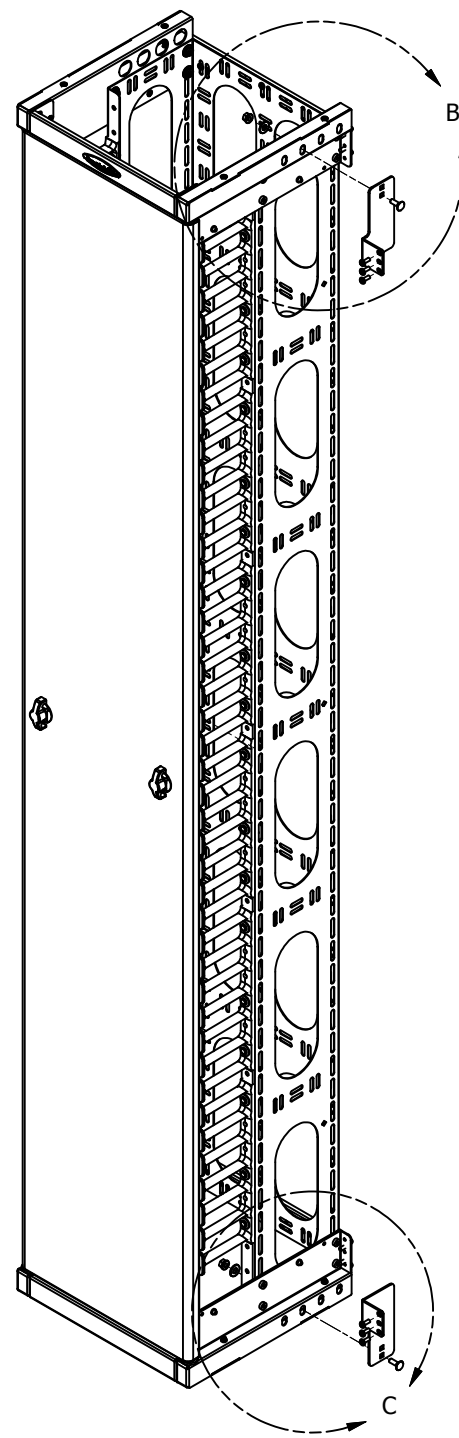


INTERPRET DRAWING PER ASME Y14.5M-1994
DIMENSIONAL LIMITS APPLY AFTER APPLICATION OF FINISH
DRAWING NOT TO SCALE
TOLERANCE UNLESS OTHERWISE NOTED:
ANGULAR +/- .1°
.XXXX +/- .010
.XXX +/- .015
.XX +/- .030
.X FOR REF. ONLY
UNLESS OTHERWISE SPECIFIED ALL DIMENSIONS ARE IN INCHES

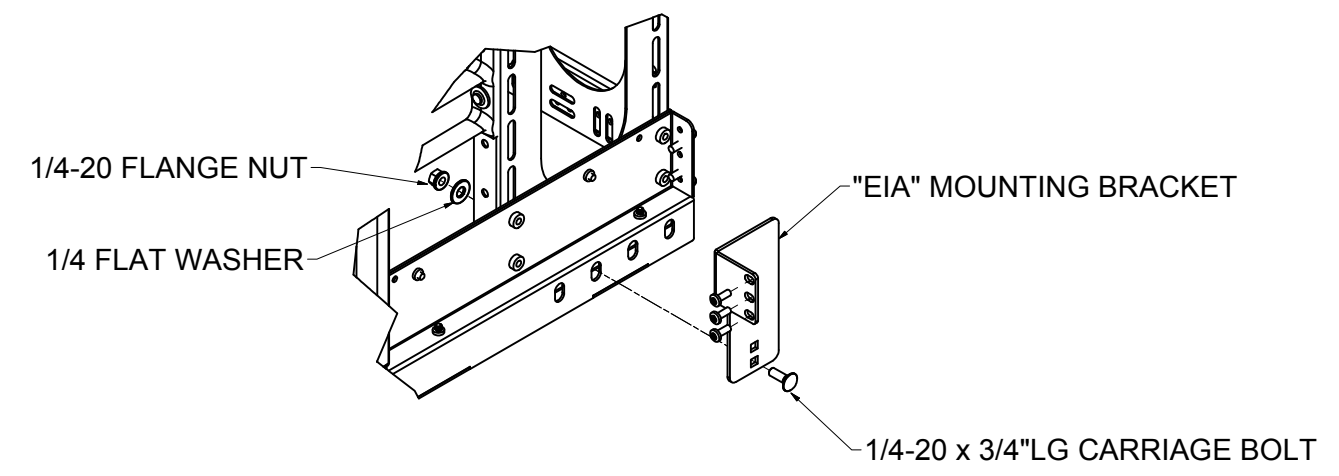
**NOTICE:**  
Use of this document is subject to a confidentiality and nondisclosure agreement with Great Lakes Case & Cabinet Co., Inc. (GLCC) and may not be reproduced, disclosed or utilized in whole or in part without prior written authorization from GLCC.

PART NUMBER: VCM12-FO-ER	
QTY PER UNIT: 1	
MATERIAL TYPE:	
MATERIAL GAUGE:	
FINISH:	
DRAWN PCS	DATE 4/25/2014
CHECKED & APP. DATE	

TITLE <b>VERTICAL 12" FRONT ONLY CABLE MANAGER</b>		
GREAT LAKES CASE & CABINET CO., INC. P.O. BOX 551 EDINBORO, PA 16412 PHONE (814) 734-7303 FAX (814) 734-3907 E-MAIL glcc@greatcabinets.com		
DWG NO.	REV -	SHEET: 1 OF 2

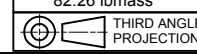


DETAIL B



DETAIL C

EST. WEIGHT :  
82.26 lbmass



INTERPRET DRAWING PER ASME Y14.5M-1994  
DIMENSIONAL LIMITS APPLY  
AFTER APPLICATION OF FINISH  
DRAWING NOT TO SCALE  
TOLERANCE UNLESS OTHERWISE NOTED:  
ANGULAR +/- .1"  
.XXXX +/- .010  
.XXX +/- .015  
.XX +/- .030  
.X FOR REF. ONLY  
UNLESS OTHERWISE SPECIFIED  
ALL DIMENSIONS ARE IN INCHES

**NOTICE:**  
Use of this document is subject to a confidentiality and nondisclosure agreement with Great Lakes Case & Cabinet Co., Inc. (GLCC) and may not be reproduced, disclosed or utilized in whole or in part without prior written authorization from GLCC.

PART NUMBER:  
CVM12-FO-ER  
QTY PER UNIT: 1  
MATERIAL TYPE:  
MATERIAL GAUGE:  
FINISH:  
DRAWN DATE: PCS 4/25/2014  
CHECKED & APP. DATE:

TITLE  
**VERTICAL 12" FRONT ONLY CABLE MANAGER**  
GREAT LAKES CASE & CABINET CO., INC.  
P.O. BOX 551 EDINBORO, PA 16412  
PHONE (814) 734-7303 FAX (814) 734-3907  
E-MAIL glcc@greatcabinets.com  
DWG NO. REV SHEET: 2 OF 2