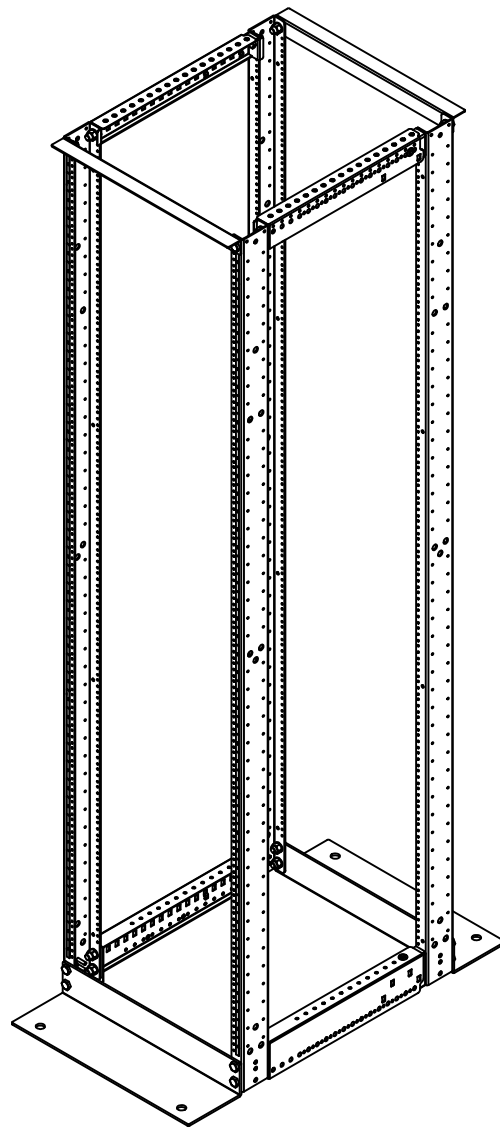
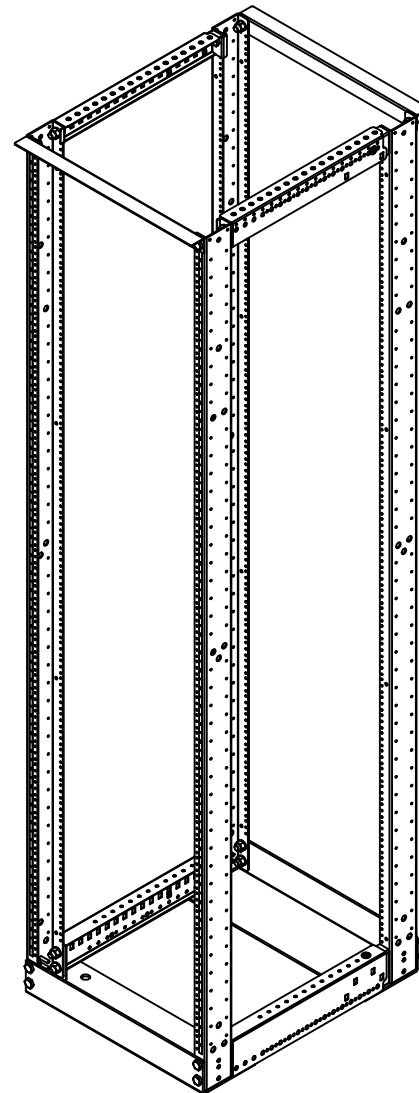


**CONSTRUCTION:**

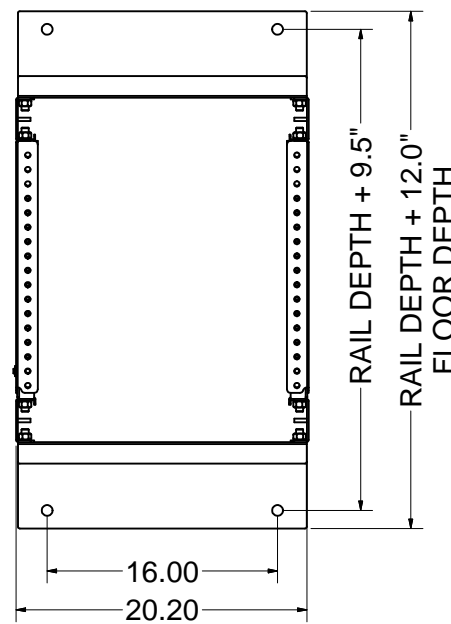
- VARIABLE RAIL DEPTH FROM 24"-36" IN 1" INCREMENTS
- BOLT TOGETHER CONSTRUCTION, SHIPS FLAT AS KIT
- STEEL COMPONENTS - DURABLE TEXTURE POWDERCOAT
- 12 GA. C.R.S. VERTICAL UPRIGHTS
- 7 GA. C.R.S. HORIZONTAL FOOT BRACKET
- 14 GA. C.R.S. CROSS MEMBERS
- 14 GA. C.R.S. EXTENSION BARS
- 12 GA. C.R.S. TOP WIDTH BRACKETS



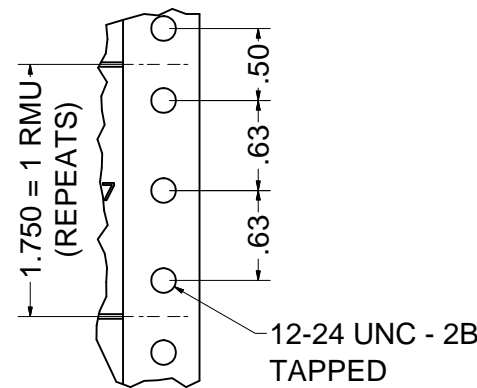
**TOE OUT MOUNTING  
ISOMETRIC VIEW**



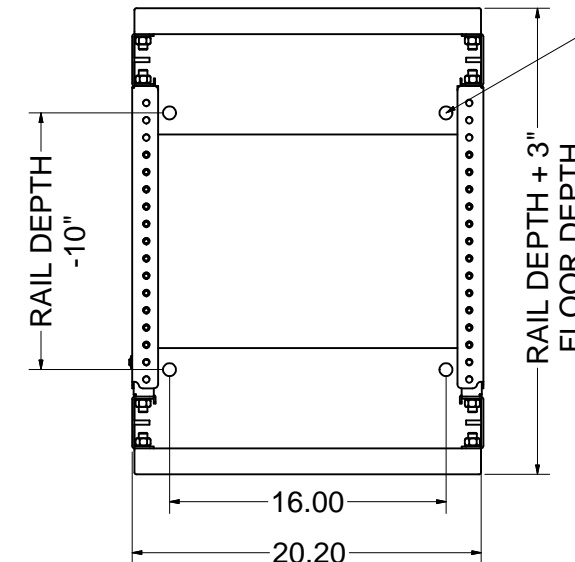
**TOE IN MOUNTING  
ISOMETRIC VIEW**



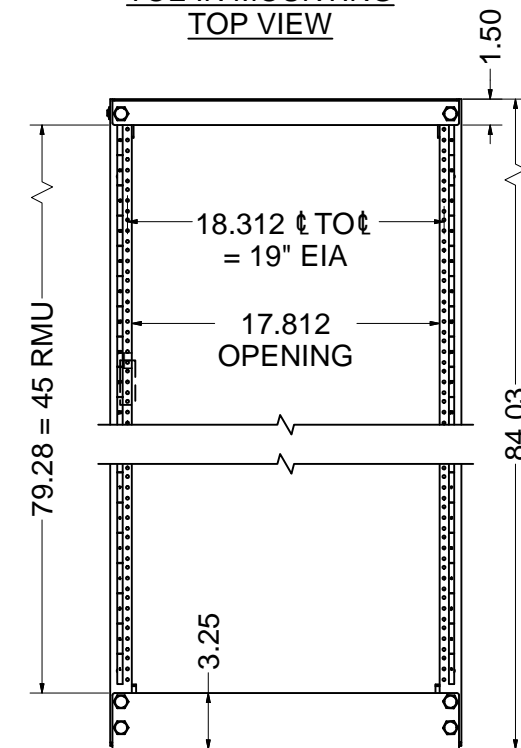
**TOE OUT MOUNTING  
TOP VIEW**



**DETAIL E**



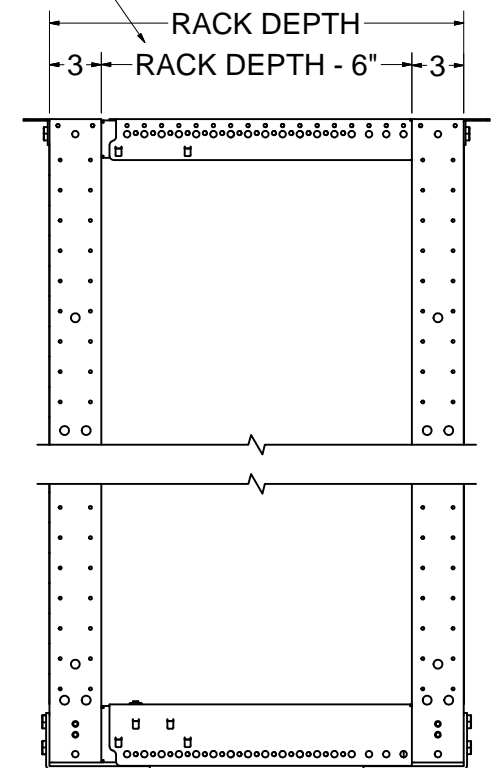
**TOE IN MOUNTING  
TOP VIEW**



**FRONT VIEW 19" EIA MTG.**

4 MOUNTING HOLES: Ø.75"  
(FLOOR MOUNTING HARDWARE NOT PROVIDED.)

LENGTH OF ASSEMBLED  
VARIABLE DEPTH BRACKETS



EST. WEIGHT :  
97.88 lbmass

THIRD ANGLE  
PROJECTION

INTERPRET DRAWING PER ASME Y14.5M-1994  
DIMENSIONAL LIMITS APPLY  
AFTER APPLICATION OF FINISH  
DRAWING NOT TO SCALE  
TOLERANCE UNLESS OTHERWISE NOTED:  
ANGULAR +/- 1°  
.XXXX +/- .010  
.XXX +/- .015  
.XX +/- .030  
.X FOR REF. ONLY

UNLESS OTHERWISE SPECIFIED  
ALL DIMENSIONS ARE IN INCHES

**NOTICE:**

Use of this document is subject to a confidentiality and nondisclosure agreement with Great Lakes Case & Cabinet Co., Inc. (GLCC) and may not be reproduced, disclosed or utilized in whole or in part without prior written authorization from GLCC.

PART NUMBER:  
VD4P1224-2436  
QTY PER UNIT: 1  
MATERIAL TYPE:  
MATERIAL GAUGE:  
FINISH:  
DRAWN DATE: 1/27/2014  
PCS DATE: 1/27/2014  
CHECKED & APP. DATE:

TITLE  
**VARIABLE DEPTH 4 POST RACK (#12-24 TAPPED)**  
GREAT LAKES CASE & CABINET CO., INC.  
P.O. BOX 551 EDINBORO, PA 16412  
PHONE (814) 734-7303 FAX (814) 734-3907  
E-MAIL glcc@greatcabinets.com

DWG NO. REV SHEET: 1 OF 1