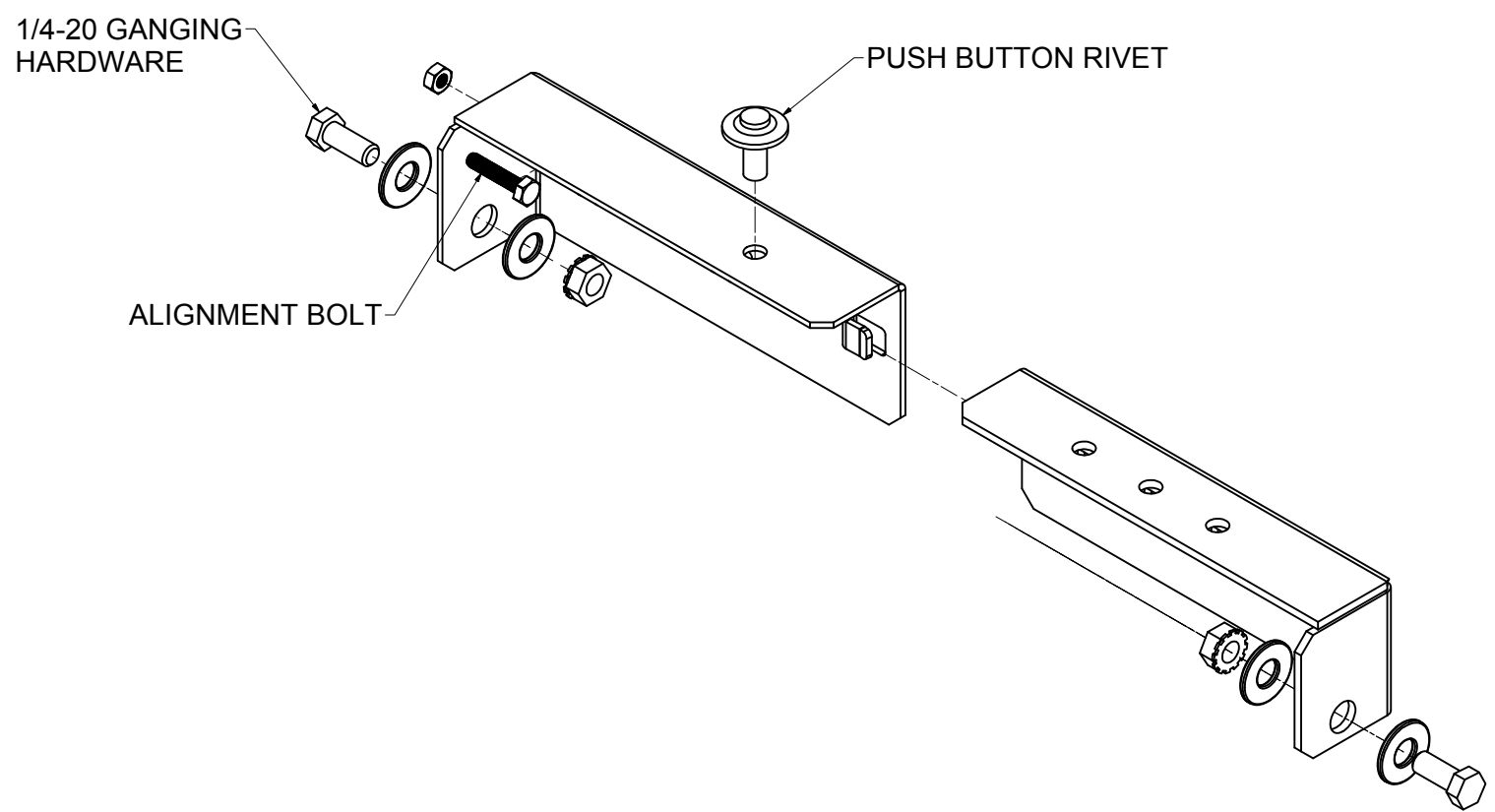
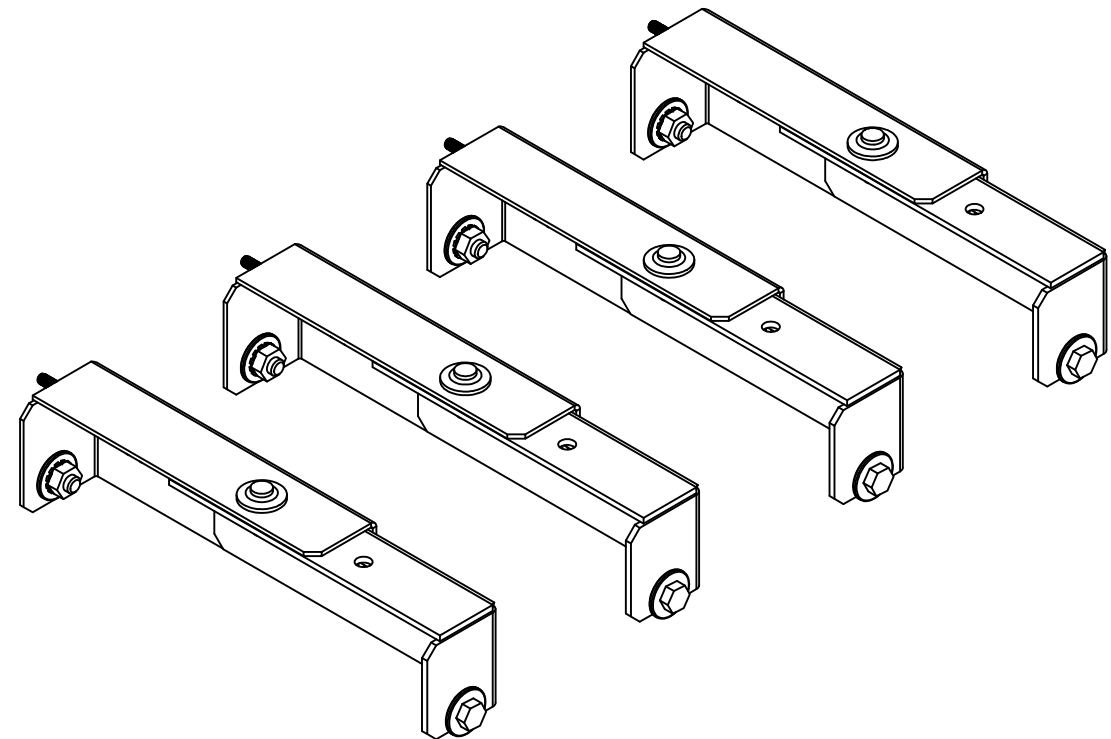


CONSTRUCTION:

SHIPS AS KIT OF (4)
 VARIABLE SPACING 6"-8" IN 1" INCREMENTS
 STEEL COMPONENTS - DURABLE TEXTURE POWDERCOAT
 14 GA. C.R.S. BRACKETS



EST. WEIGHT :
3.58 lbmass



INTERPRET DRAWING PER ASME Y14.5M-1994
DIMENSIONAL LIMITS APPLY AFTER APPLICATION OF FINISH
DRAWING NOT TO SCALE
TOLERANCE UNLESS OTHERWISE NOTED:
ANGULAR +/- .1°
.XXXX +/- .010
.XXX +/- .015
.XX +/- .030
.X FOR REF. ONLY
UNLESS OTHERWISE SPECIFIED ALL DIMENSIONS ARE IN INCHES

NOTICE:
 Use of this document is subject to a confidentiality and nondisclosure agreement with Great Lakes Case & Cabinet Co., Inc. (GLCC) and may not be reproduced, disclosed or utilized in whole or in part without prior written authorization from GLCC.

PART NUMBER: VSBK6-8
QTY PER UNIT: 1
MATERIAL TYPE:
MATERIAL GAUGE:
FINISH:
DRAWN DATE PCS 4/16/2014
CHECKED & APP. DATE WSS 4/16/2014

TITLE VARIABLE SPACER BRACKET KIT 6-8"	
GREAT LAKES CASE & CABINET CO., INC. P.O. BOX 551 EDINBORO, PA 16412 PHONE (814) 734-7303 FAX (814) 734-3907 E-MAIL glcc@greatcabinets.com	
DWG NO:	REV
	SHEET: 1 OF 1