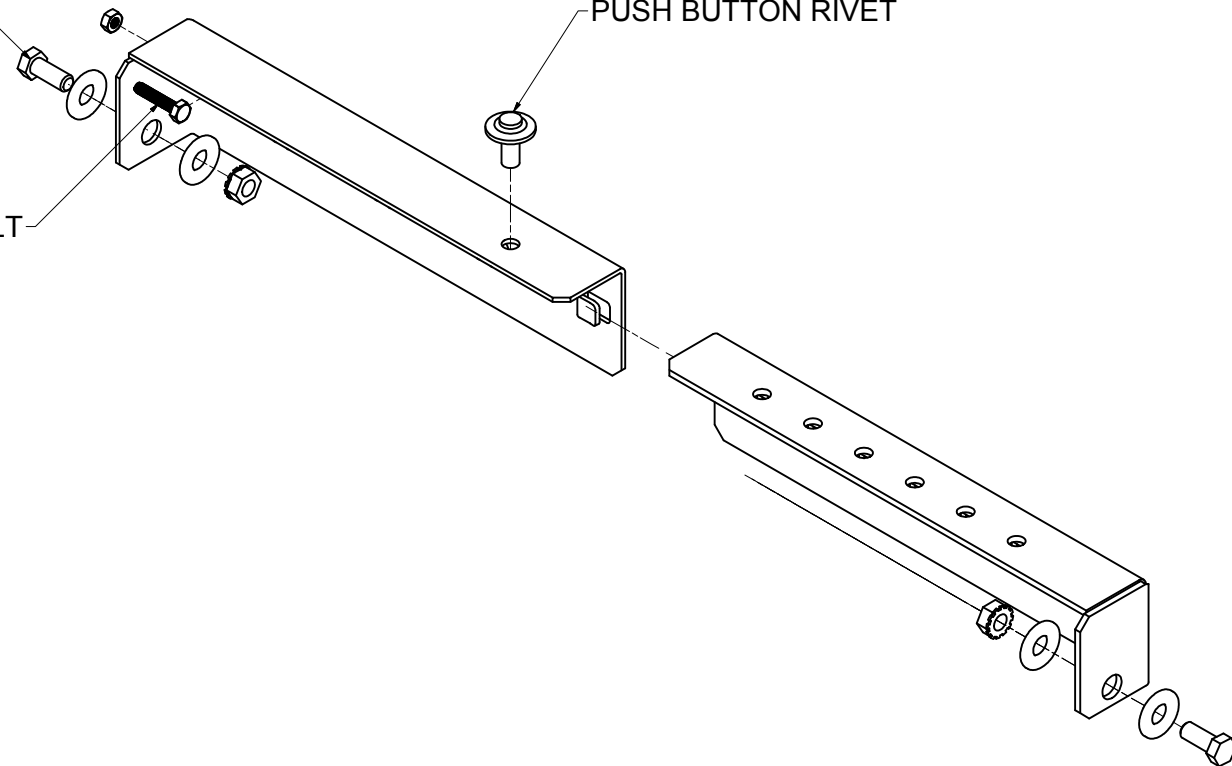


1/4-20 GANGING  
HARDWARE

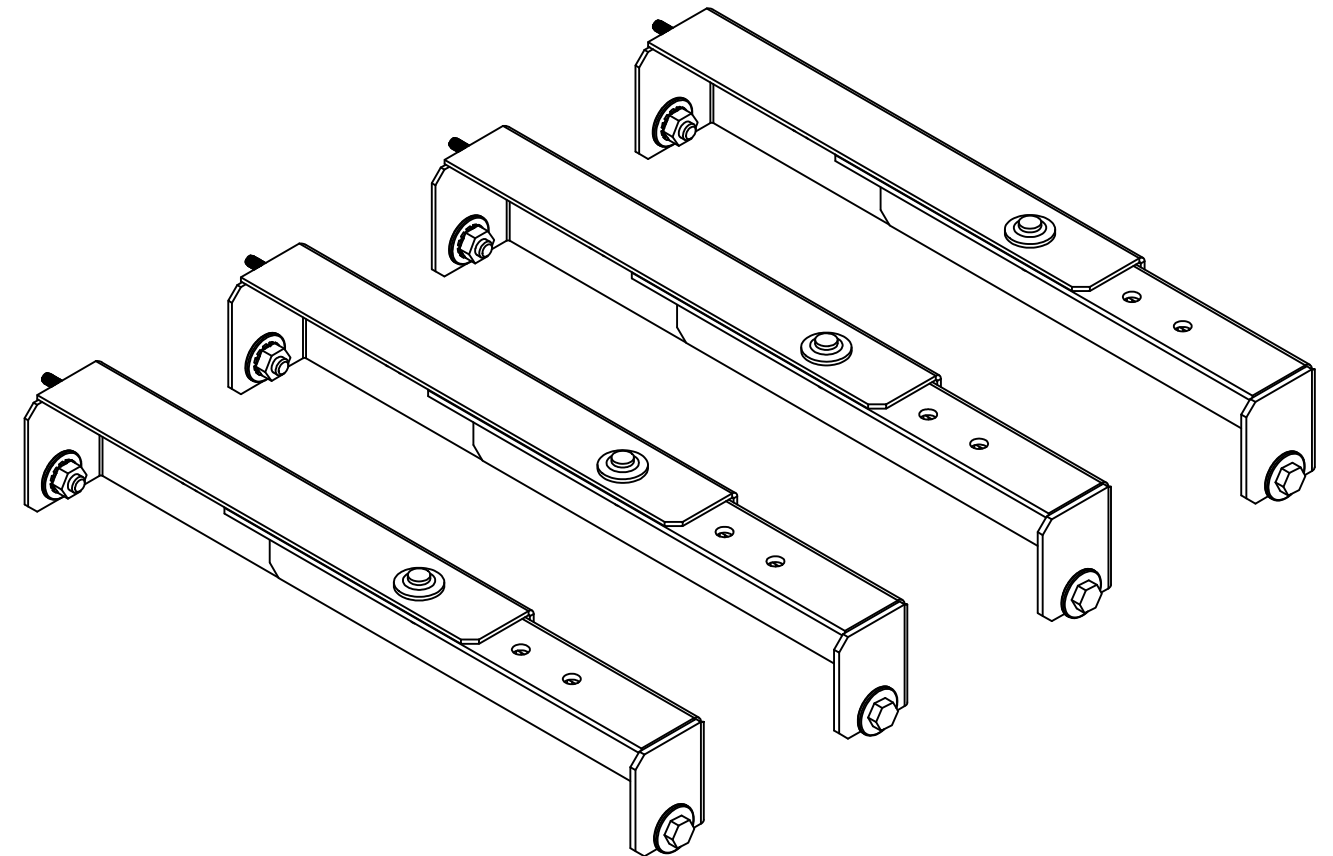
PUSH BUTTON RIVET

ALIGNMENT BOLT



**CONSTRUCTION:**

SHIPS AS KIT OF (4)  
 VARIABLE SPACING 9"-14" IN 1" INCREMENTS  
 STEEL COMPONENTS - DURABLE TEXTURE POWDERCOAT  
 14 GA. C.R.S. BRACKETS



EST. WEIGHT :  
5.20 lbmass



INTERPRET DRAWING PER ASME Y14.5M-1994  
 DIMENSIONAL LIMITS APPLY  
 AFTER APPLICATION OF FINISH  
 DRAWING NOT TO SCALE  
 TOLERANCE UNLESS OTHERWISE NOTED:  
 ANGULAR +/- .1"  
 .XXXX +/- .010  
 .XXX +/- .015  
 .XX +/- .030  
 .X FOR REF. ONLY

UNLESS OTHERWISE SPECIFIED  
 ALL DIMENSIONS ARE IN INCHES

**NOTICE:**

Use of this document is subject to a confidentiality and nondisclosure agreement with Great Lakes Case & Cabinet Co., Inc. (GLCC) and may not be reproduced, disclosed or utilized in whole or in part without prior written authorization from GLCC.

PART NUMBER:  
VSBK9-14  
 QTY PER UNIT: 1  
 MATERIAL TYPE:  
 MATERIAL GAUGE:  
 FINISH:  
 DRAWN DATE 4/16/2014  
 PCS  
 CHECKED & APP. DATE 4/16/2014  
 WSS

TITLE  
**VARIABLE SPACER BRACKET KIT, 9"-14"**  
 GREAT LAKES CASE & CABINET CO., INC.  
 P.O. BOX 551 EDINBORO, PA 16412  
 PHONE (814) 734-7303 FAX (814) 734-3907  
 E-MAIL glcc@greatcabinets.com

DWG NO. REV SHEET: 1 OF 1