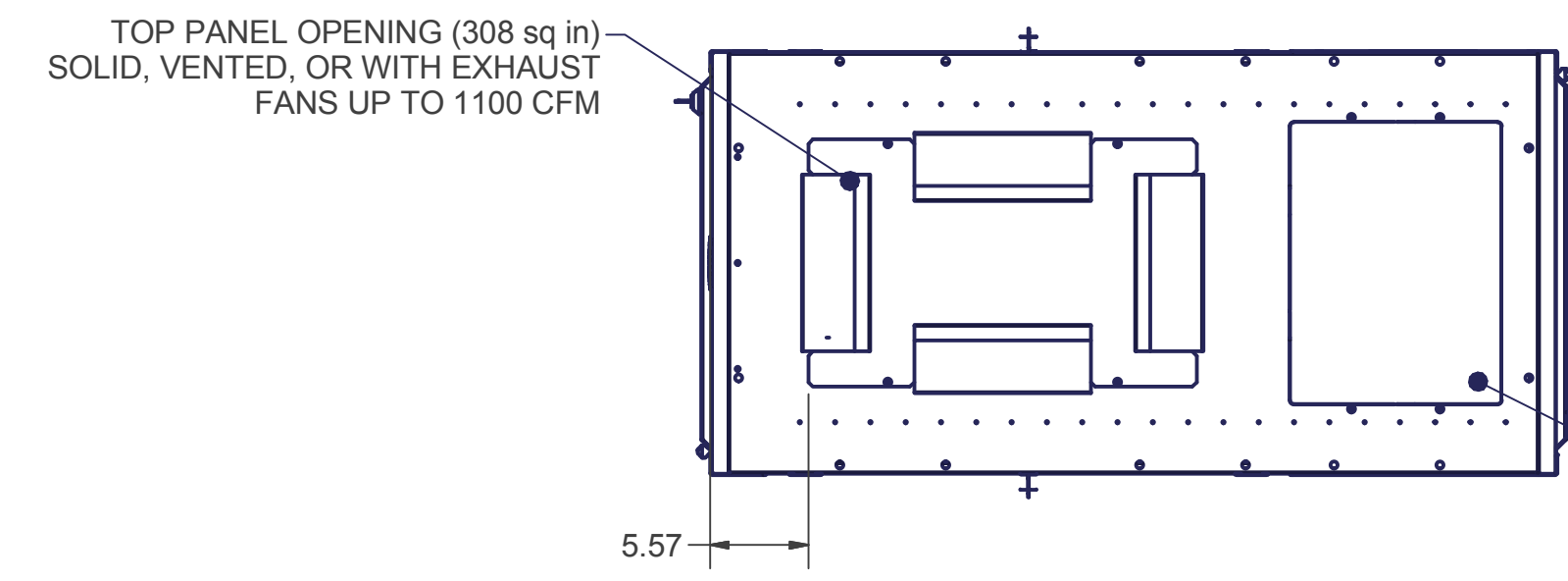
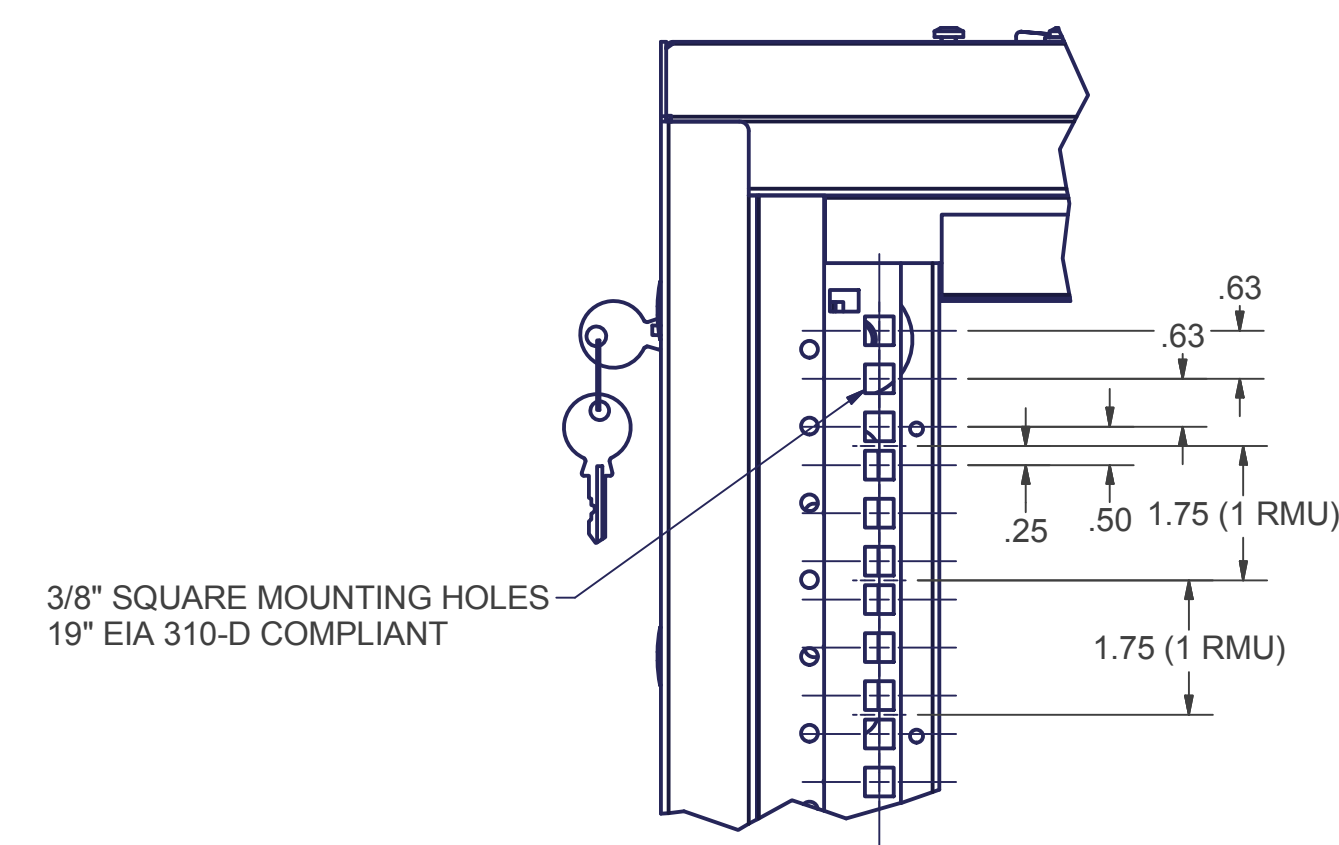
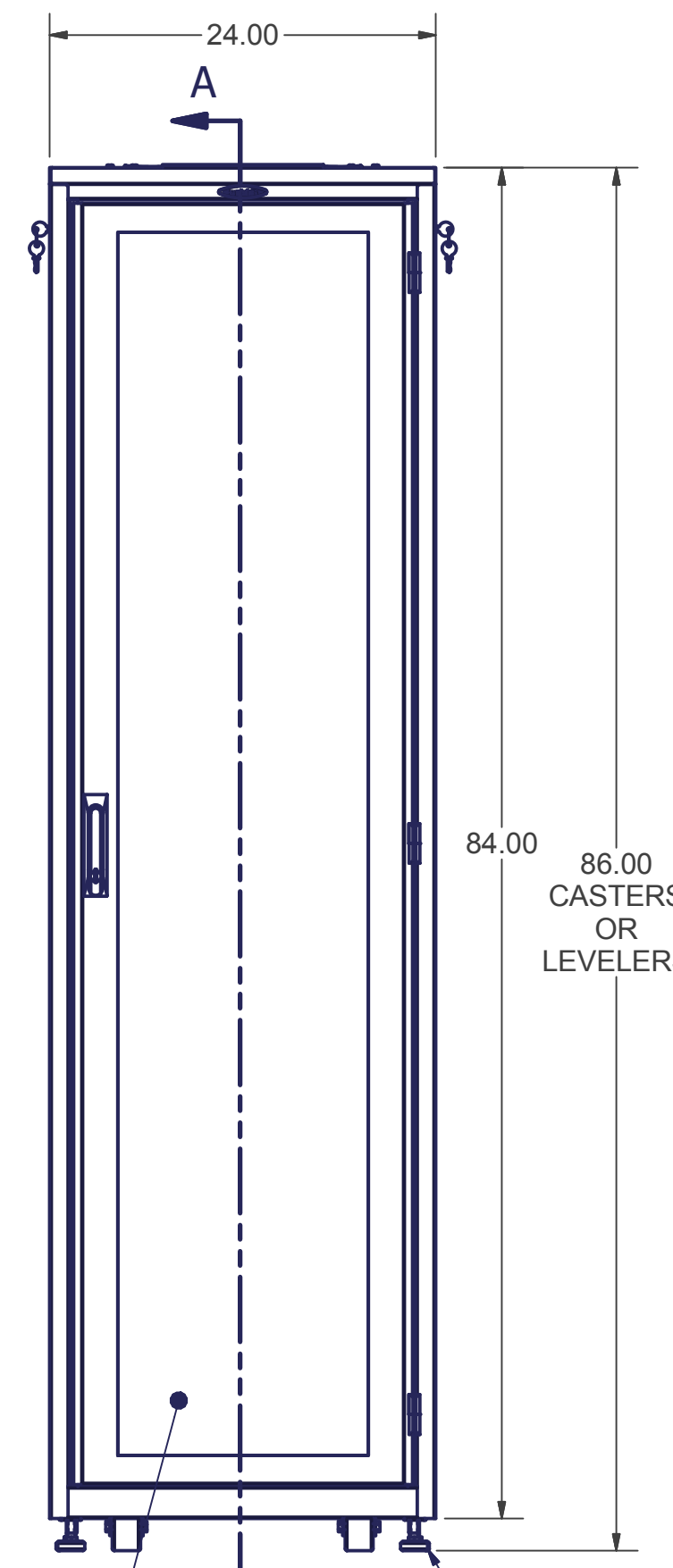
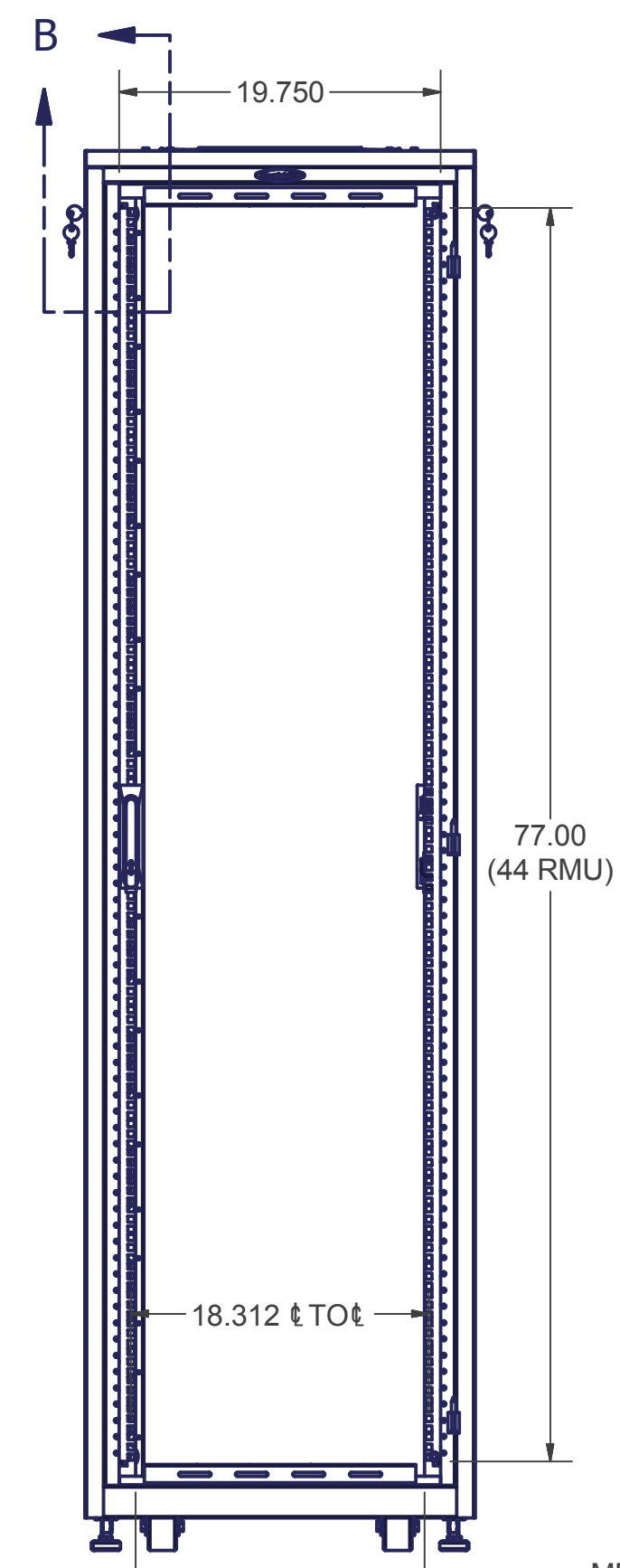
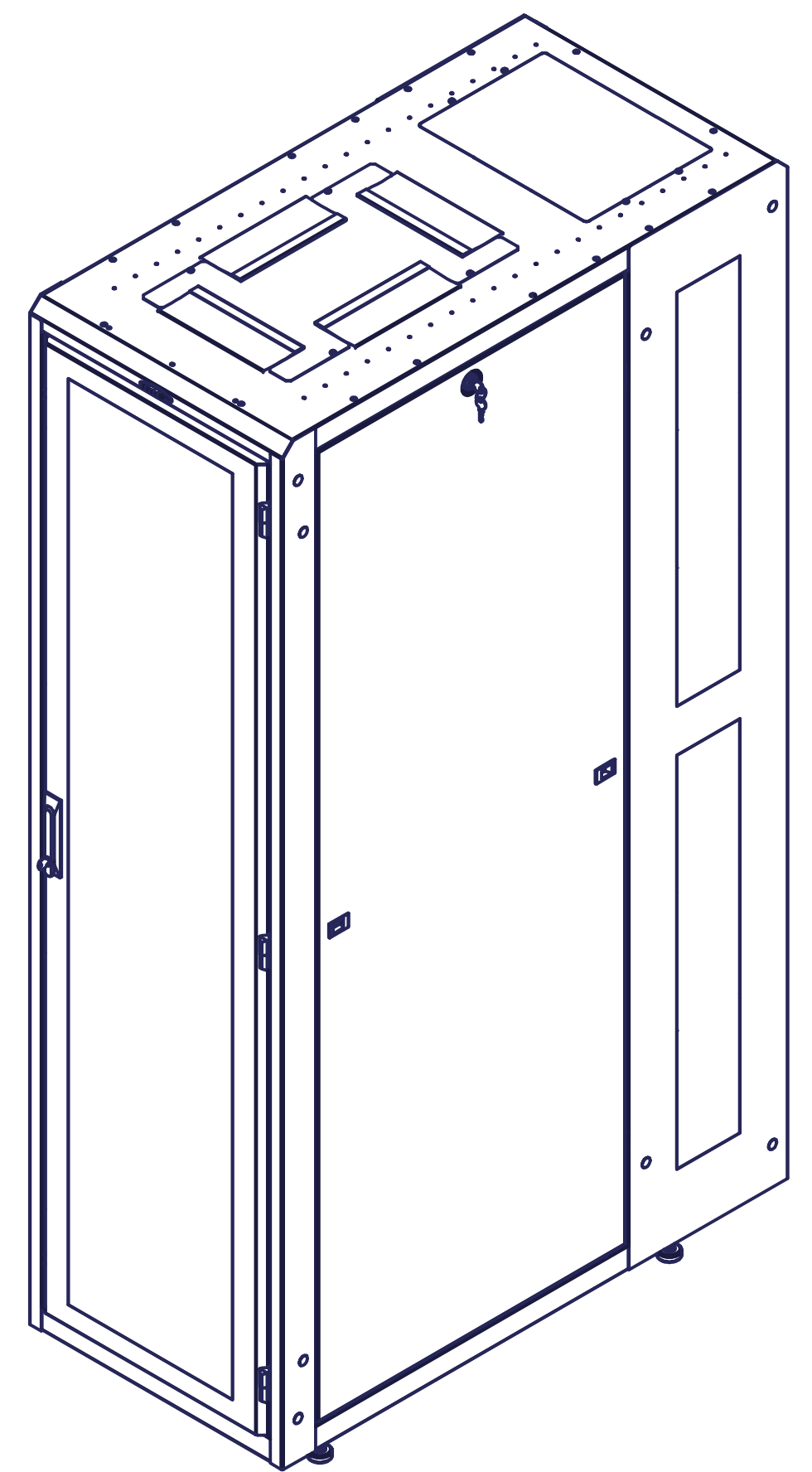
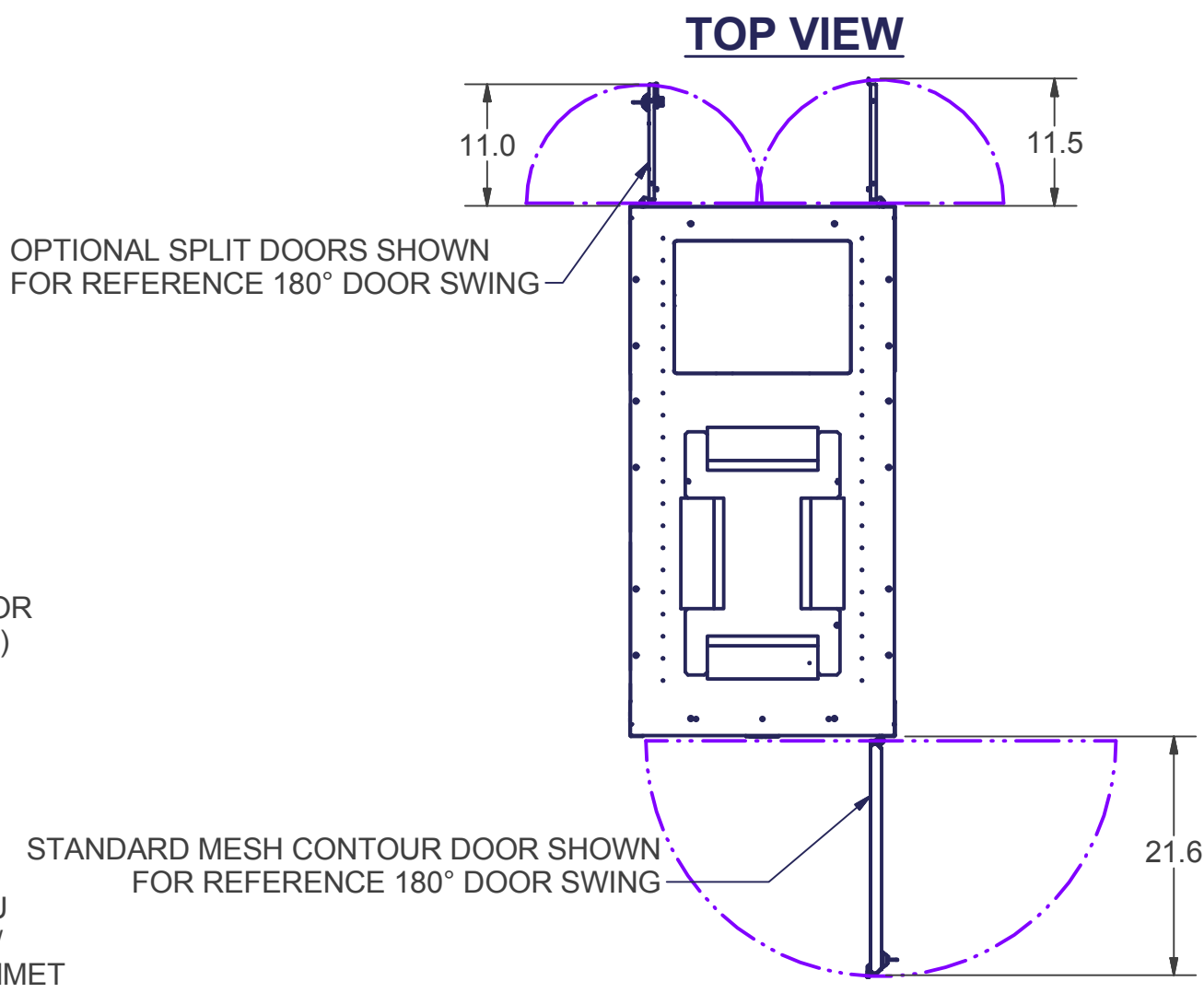


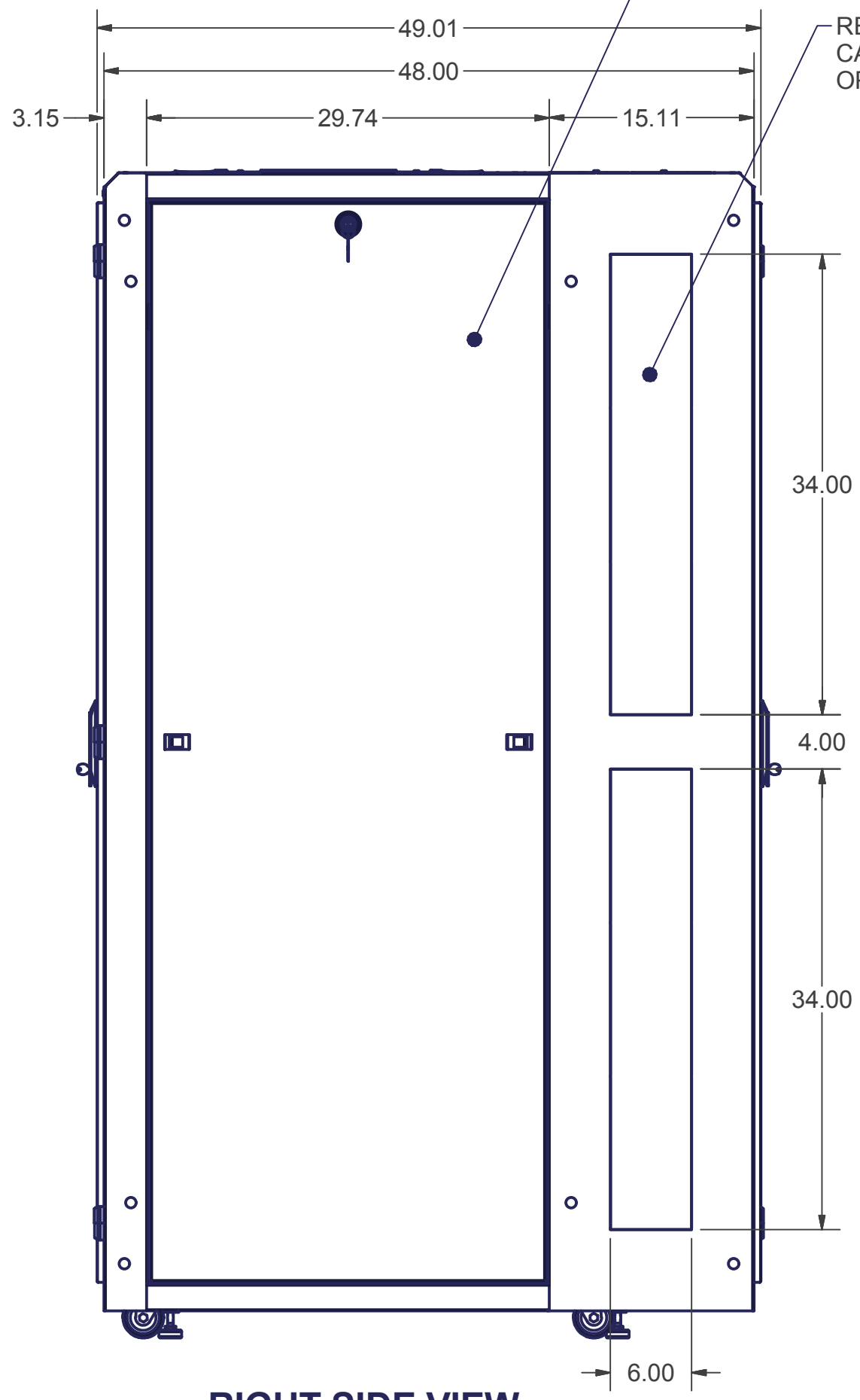
8 7 6 5 4 3 2 1



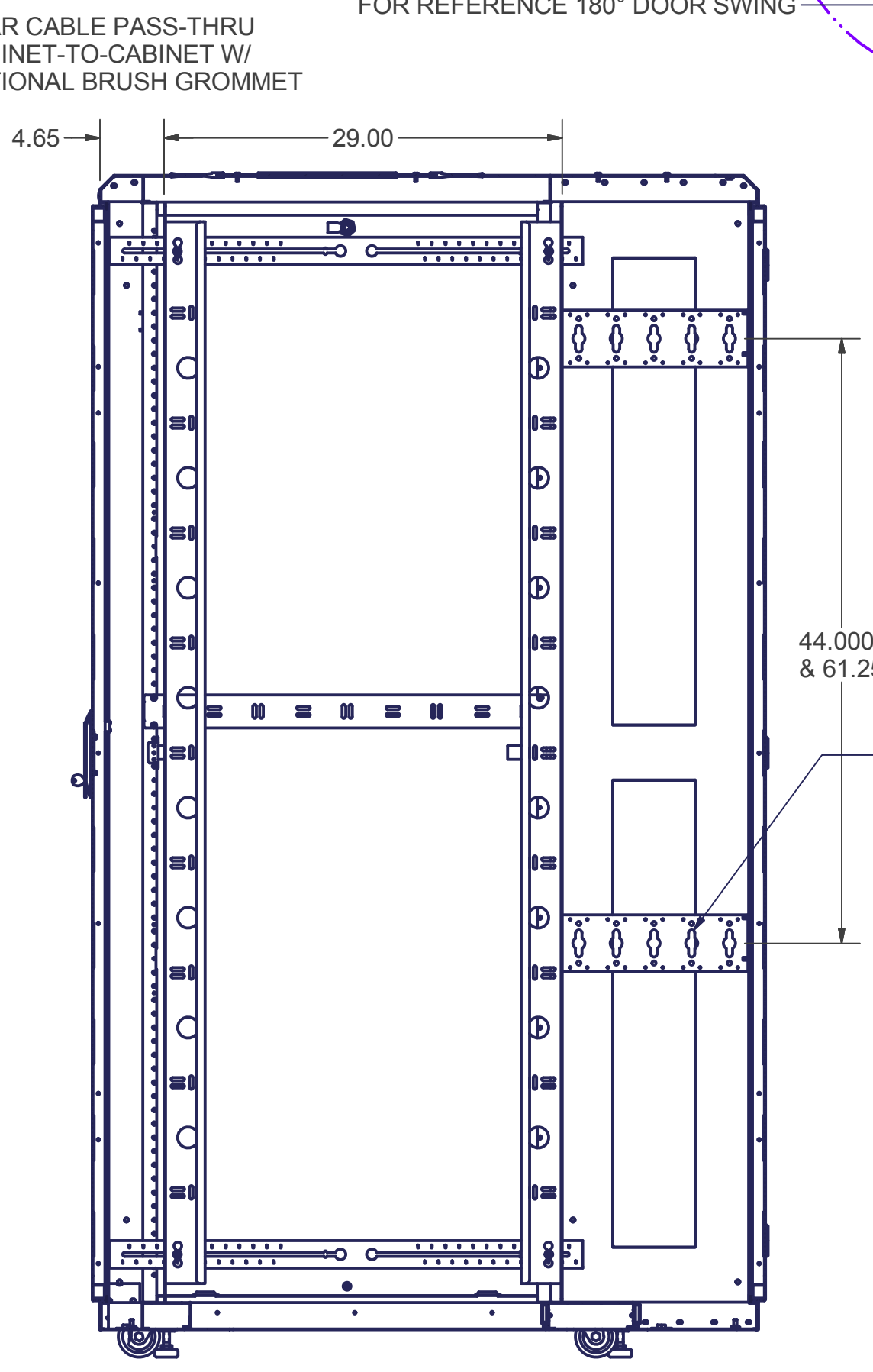
TOP VIEW



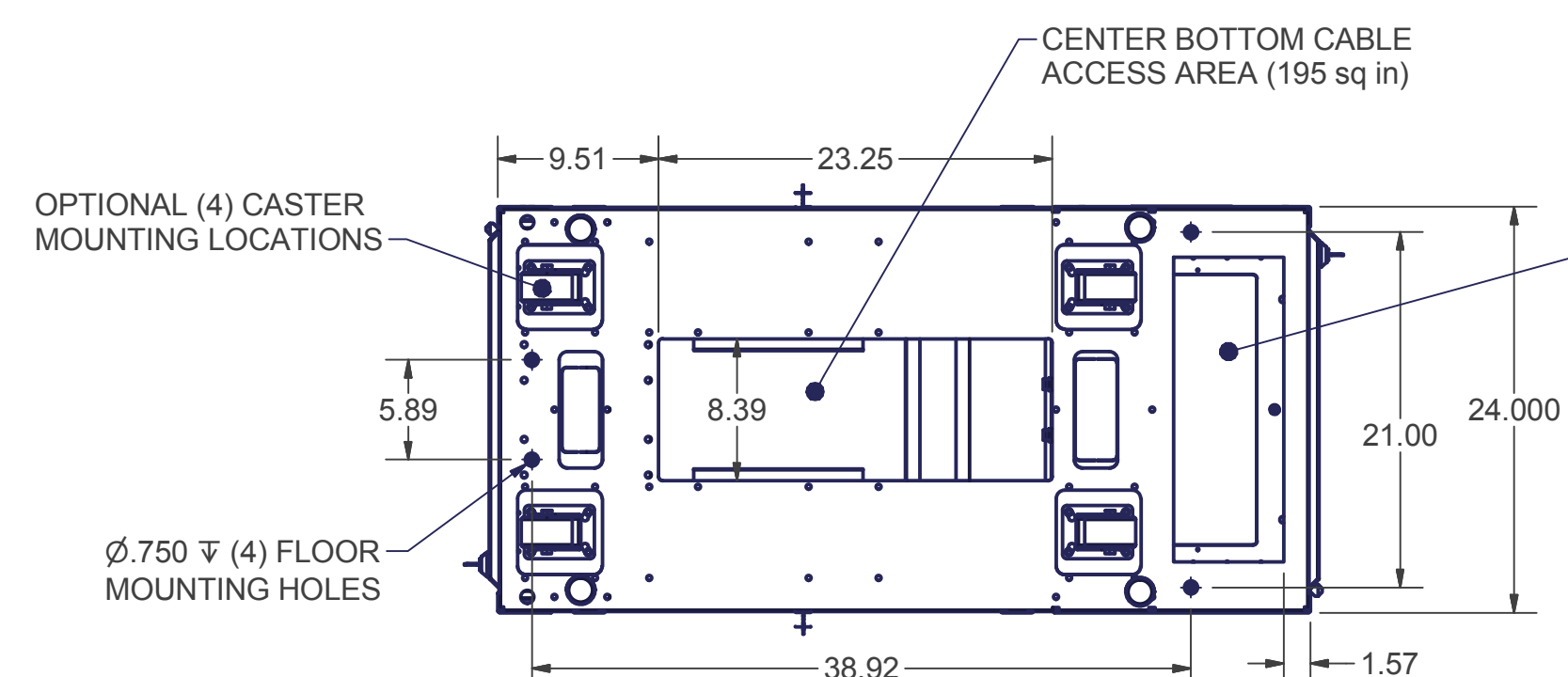
FRONT VIEW



RIGHT SIDE VIEW



SECTION A-A
RIGHT SIDE VIEW



BOTTOM VIEW

SPECIFICATIONS : GL840ES2448

- DIMENSIONS:** 84"H (86" W/ OPTIONAL CASTERS) x 24"W x 48"D
- RACK SPACES:** 44 RMU W/ NUMBERED RMU INDICATORS, 19" EIA 310-D COMPLIANT
- RAILS RATED AT:** 2000 lbs OR 3300 lbs WITH OPTIONAL HD KIT
- COLOR:** DURABLE TEXTURED BLACK POWDER COATING
- CERTIFICATIONS:** UL 2416 STANDARD FOR IT & COMMUNICATIONS EQ. ENCLOSURES
- CONSTRUCTION:** (2) PAIR OF MOUNTING RAILS, 12 GA CRS FULLY WELDED FRAME OF 14 GA & 12 GA DOORS, SIDE PANELS & TOP PANEL, 16 GA
- HARDWARE:** PACKAGED (50), M6 or #10-32 SCREWS & CAGE NUTS
- WEIGHT:** 372 lbs.

INTERPRET DRAWING PER ASME Y14.5M-1994 DIMENSIONAL LIMITS APPLY AFTER APPLICATION OF FINISH DRAWING NOT TO SCALE TOLERANCE UNLESS OTHERWISE NOTED: ANGULAR +/- 1' .XXXX +/- .010 .XXX +/- .015 .XX +/- .030 .X FOR REF. ONLY UNLESS OTHERWISE SPECIFIED ALL DIMENSIONS ARE IN INCHES	NOTICE:		PART NUMBER: 840ES-2448MS		TITLE 84"H x 24"W x 48"D "ES" SERIES ENCLOSURE	
	Use of this document is subject to a confidentiality and nondisclosure agreement with Great Lakes Case & Cabinet Co., Inc. (GLCC) and may not be reproduced, disclosed or utilized in whole or in part without prior written authorization from GLCC.		QTY PER UNIT: 1		P.O. BOX 551 EDINBORO, PA 16412 PHONE (814) 734-7303 FAX (814) 734-3907 E-MAIL: glcc@greatcabinets.com	
			MATERIAL TYPE: CRS			
			FINISH: POWDERCOATED			
		DRAWN FED		DWG NO: 840ES2448MS		
		CHECKED WSS		REV 4		
		DATE 1/17/2014		SHEET 1 OF 1		
		DATE 1/20/2014				

8 7 6 5 4 3 2 1