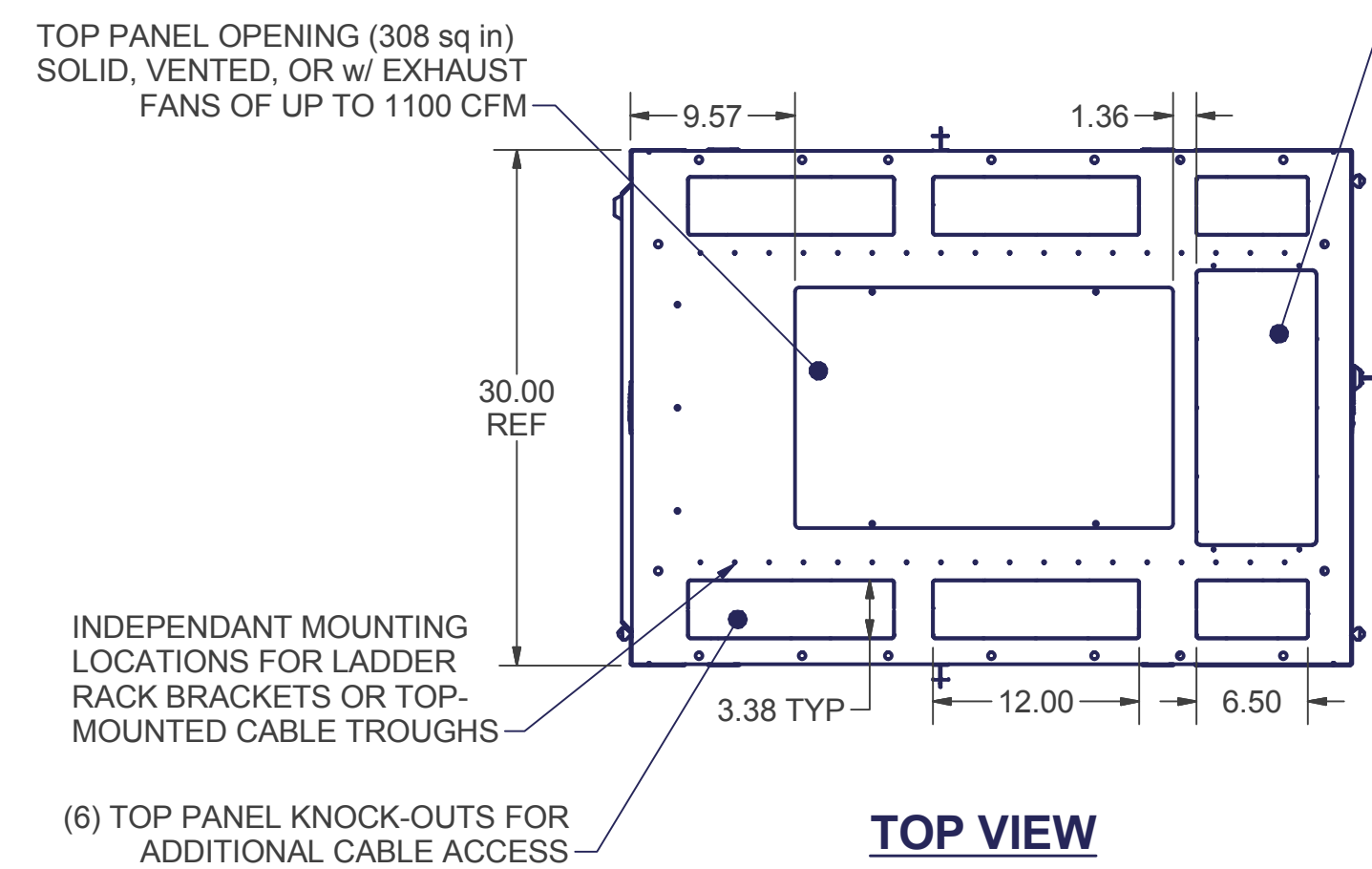
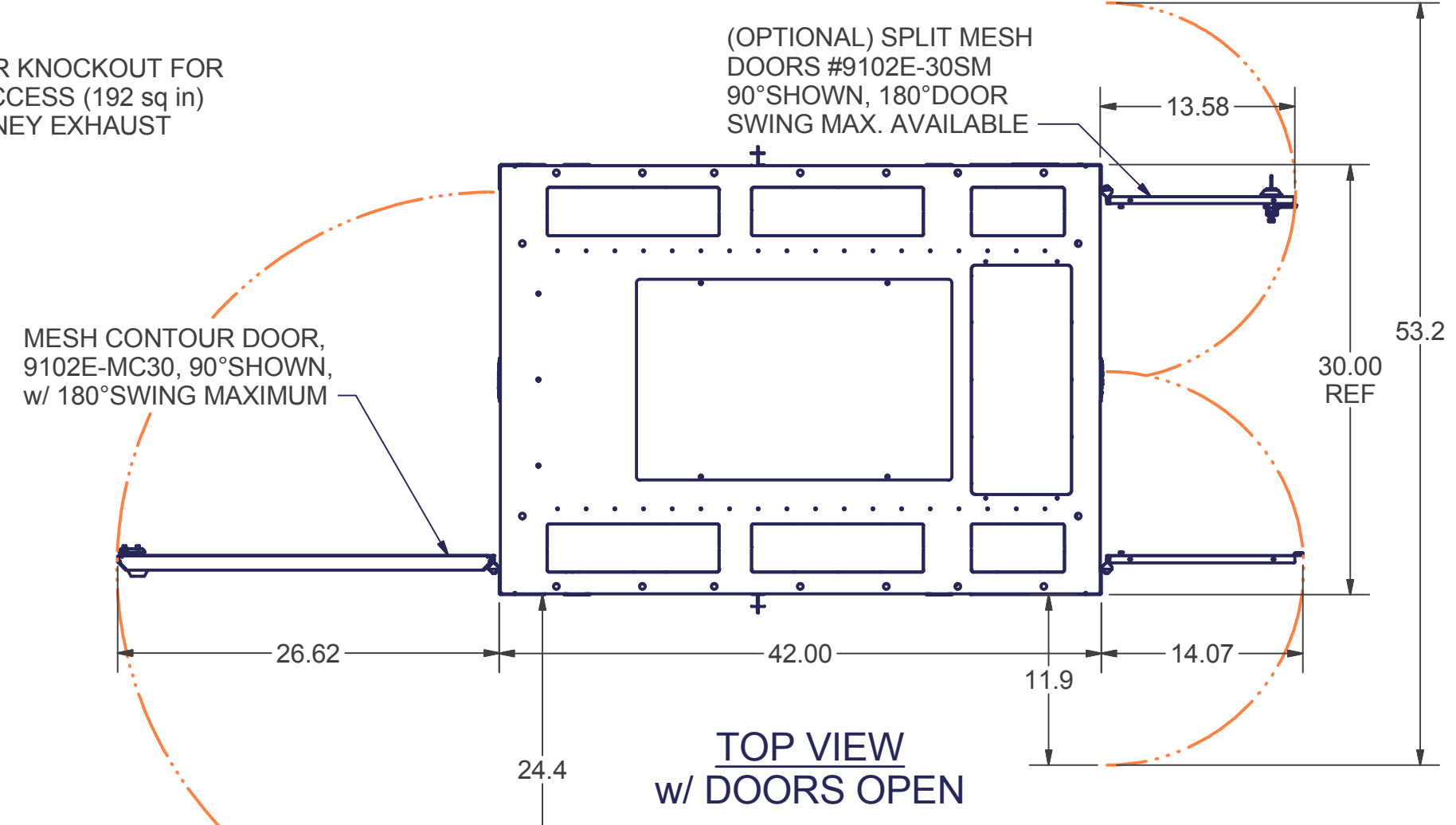


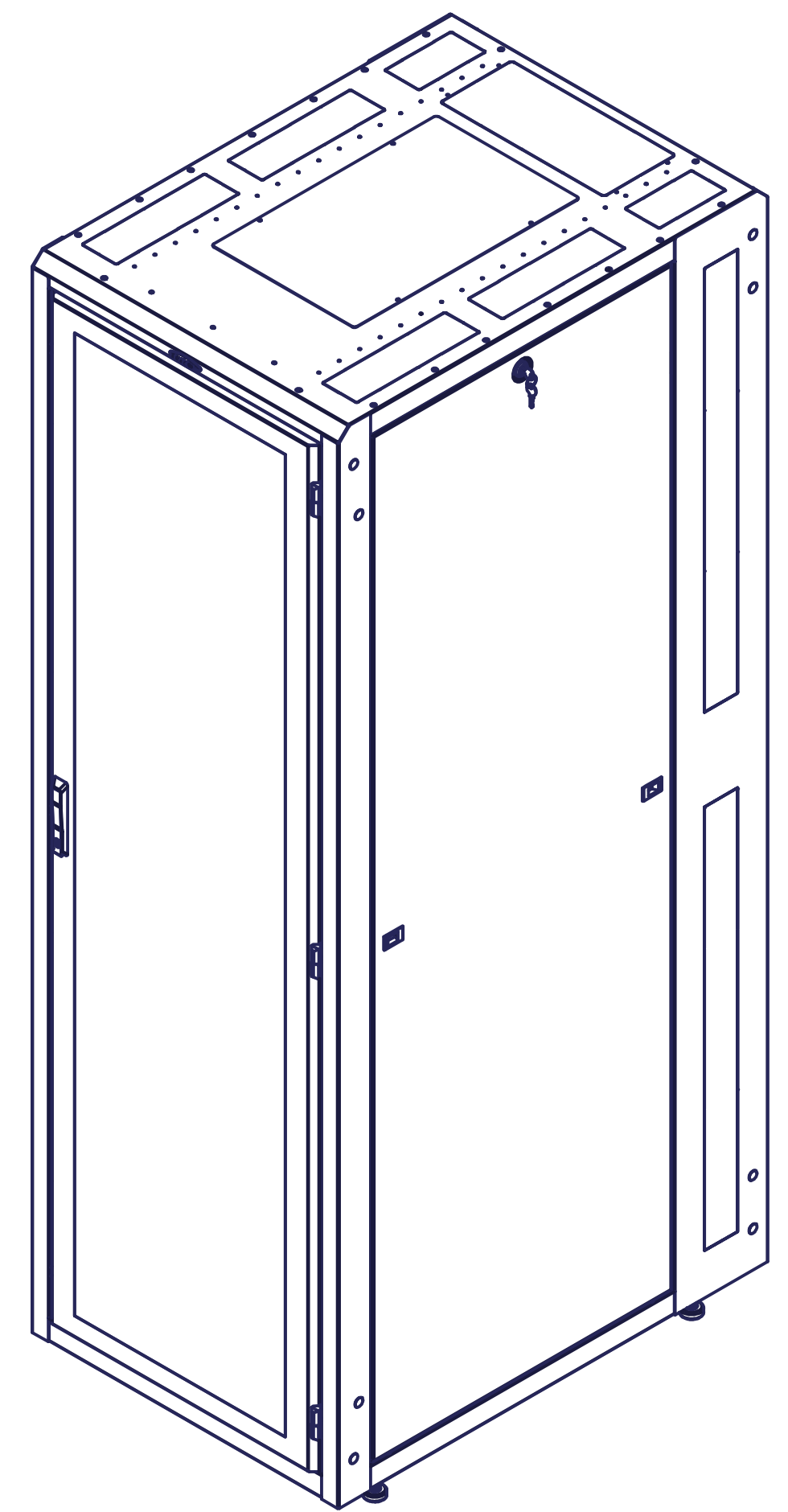
DETAIL B



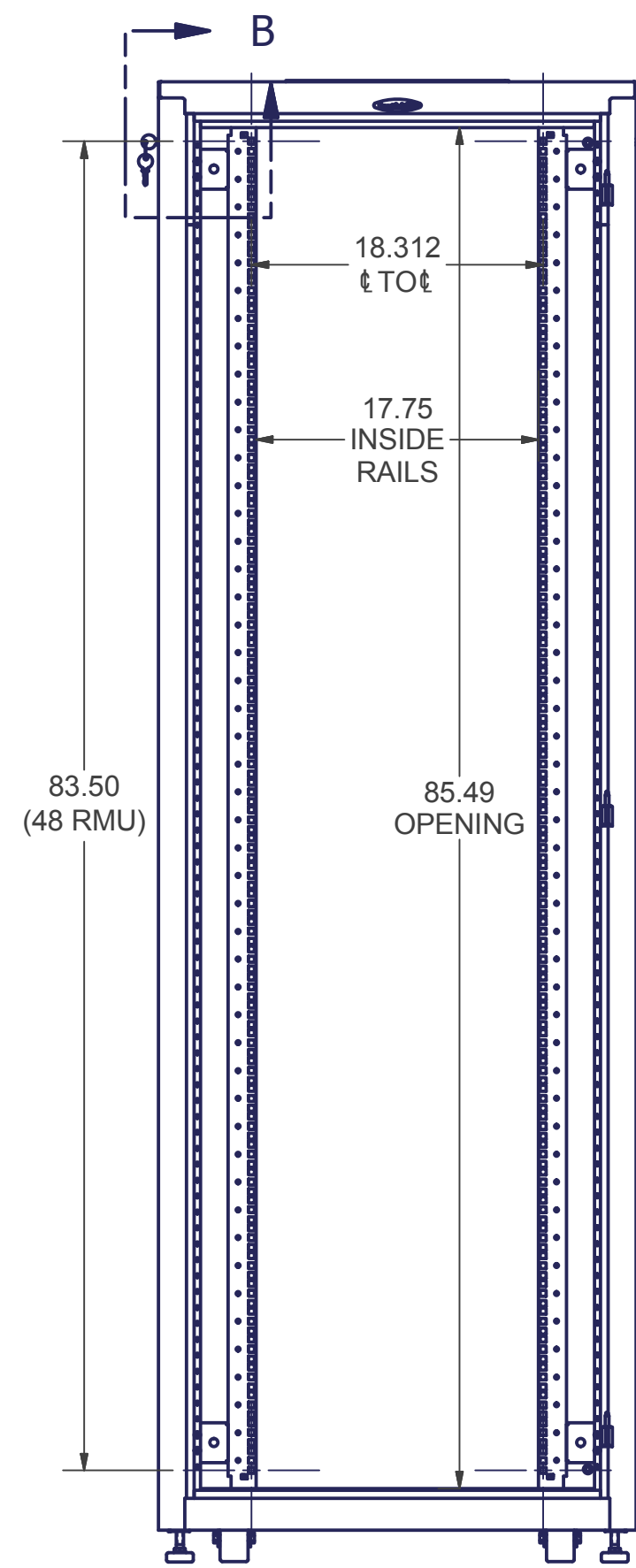
TOP VIEW



TOP VIEW w/ DOORS OPEN

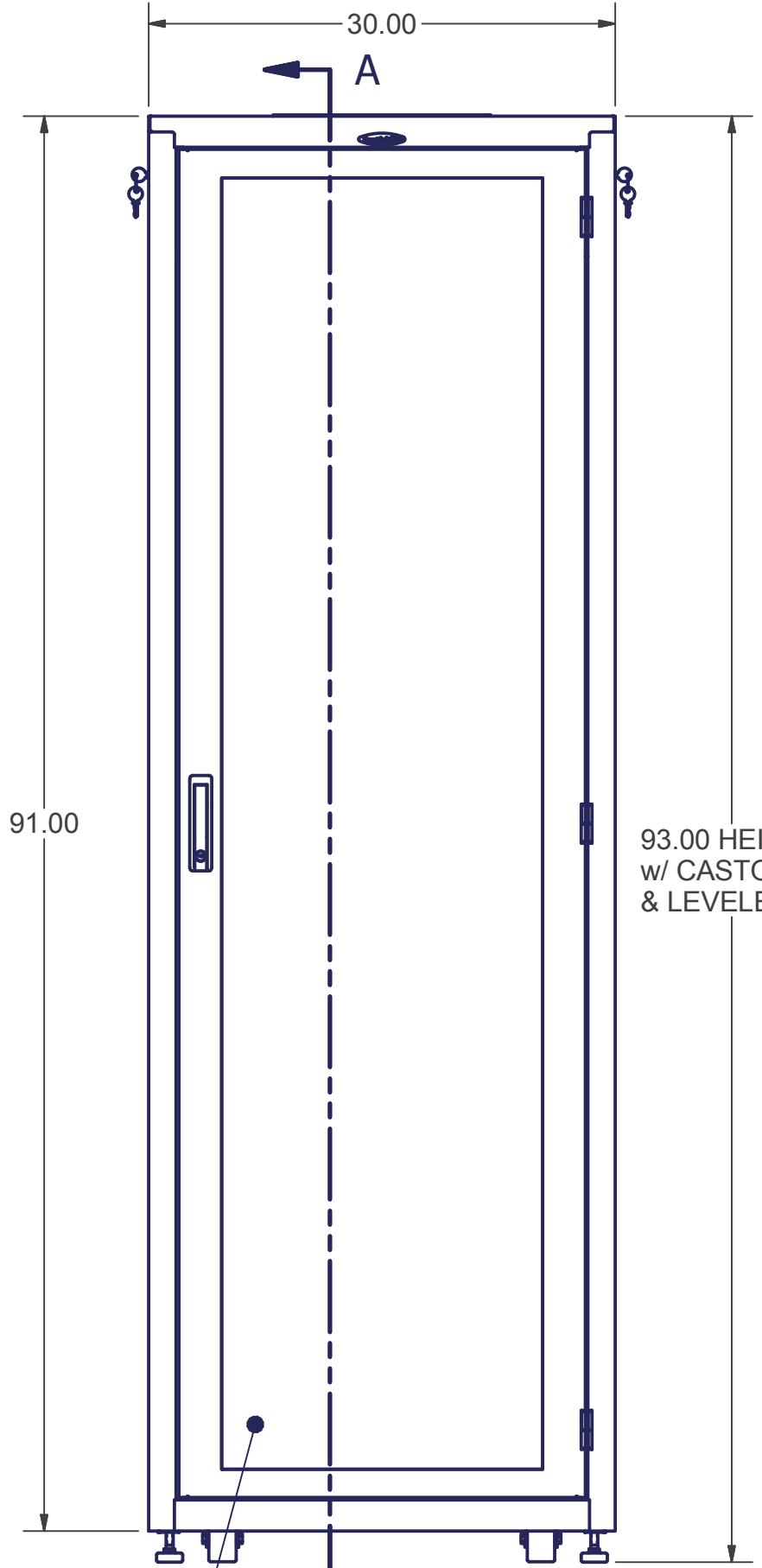


CLOSED VIEW

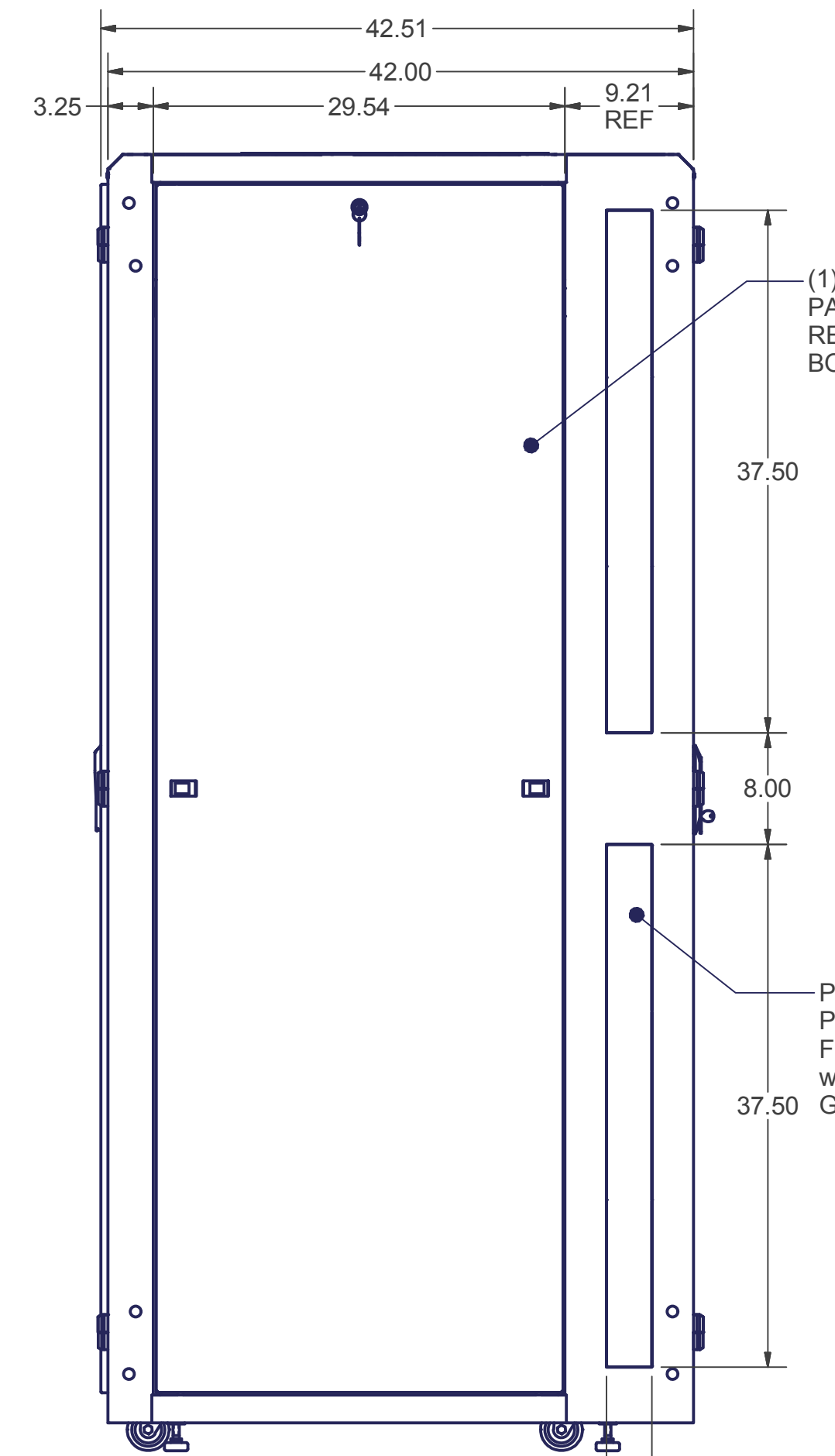


FRONT VIEW LESS DOORS

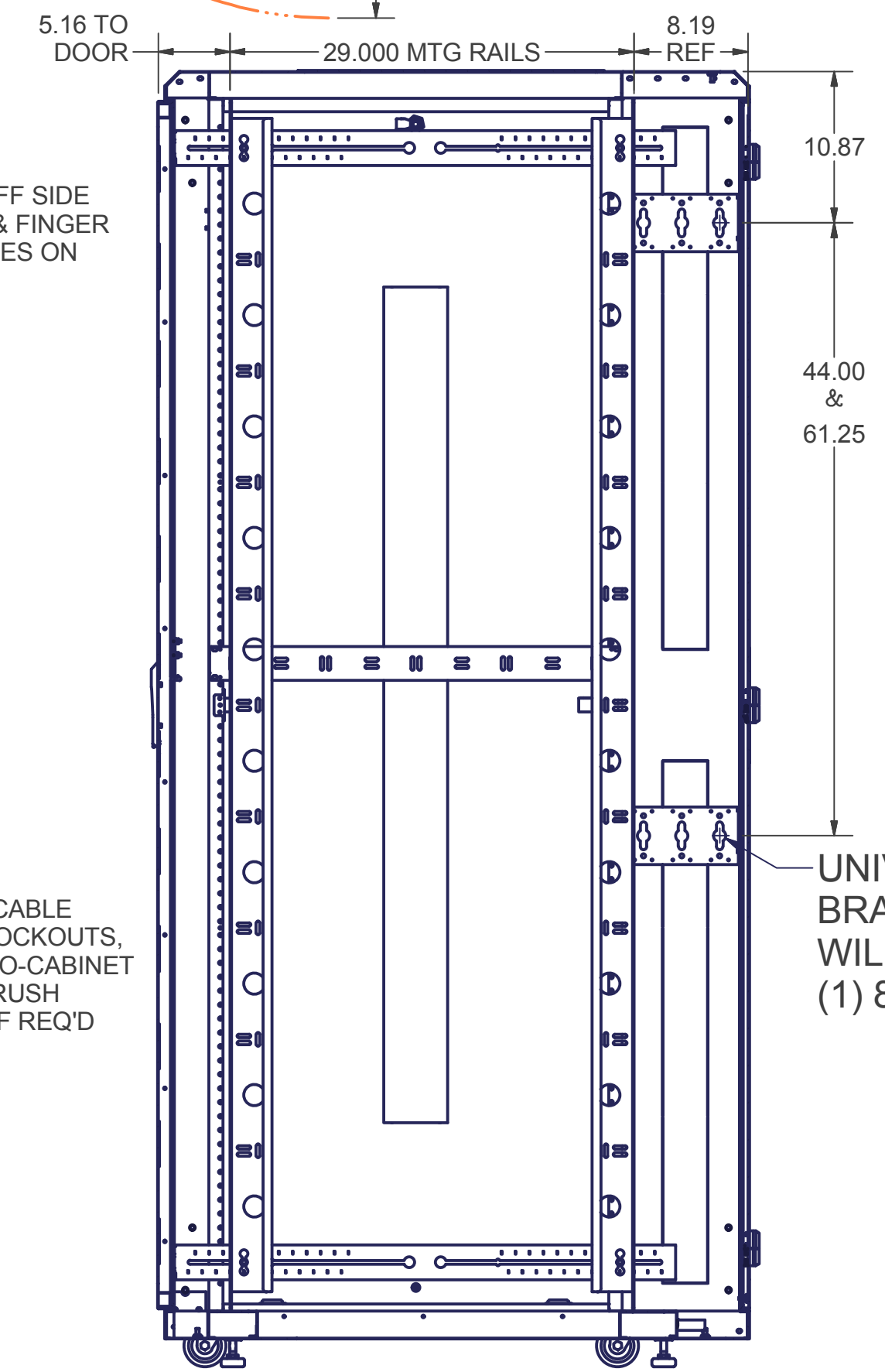
MESH CONTOUR FRONT & REAR DOORS SHOWN w/ EASY LATCH LOCKING HANDLES, LIFT-OFF AND FIELD-REVERSIBLE



FRONT VIEW



RIGHT SIDE VIEW

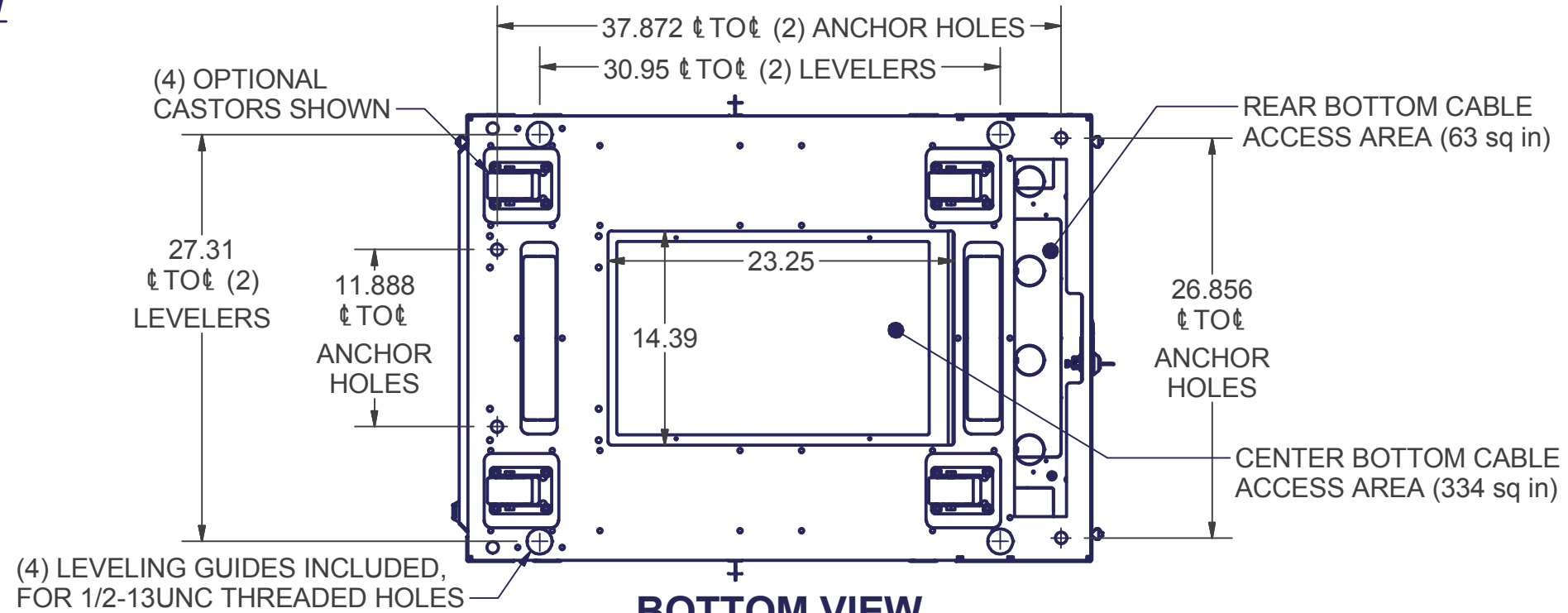


SECTION A-A

UNIVERSAL POWER STRIP MOUNTING BRACKETS KEYED BUTTON MOUNTING. WILL ACCEPT 3 PDU's, (2) 77" L (MAX.) & (1) 87" L (MAX) x 2.5" W PER SIDE.

SPECIFICATIONS:

- DIMENSIONS:** 91"H (93" W/ OPTIONAL CASTORS) x 30"W x 42"D
- RACK SPACES:** 48 RMU W/ NUMBERED RMU INDICATORS, 19" EIA 310-E COMPLIANT
- RAILS RATED AT:** 3300 lbs.
- COLOR:** DURABLE TEXTURED BLACK POWDER COATING
- CERTIFICATIONS:** UL 2416 STANDARD FOR IT & COMMUNICATIONS EQUIPMENT ENCLOSURES
- CONSTRUCTION:** (2) PAIR OF STEEL MOUNTING RAILS, 12 GA CRS FULLY WELDED STEEL FRAME OF 14 GA & 12 GA STEEL DOORS, SIDE PANELS & TOP PANEL, 16 GA
- HARDWARE:** PACKAGED (50), M6 OR #10-32 SCREWS & CAGE NUTS



BOTTOM VIEW

(4) LEVELING GUIDES INCLUDED, FOR 1/2-13UNC THREADED HOLES

INTERPRET DRAWING PER ASME Y14.5M-1994
 DIMENSIONAL LIMITS APPLY AFTER APPLICATION OF FINISH
 DRAWING NOT TO SCALE
 TOLERANCE UNLESS OTHERWISE NOTED:
 ANGULAR +/- 1'
 .XXXX +/- .010
 .XXX +/- .015
 .XX +/- .030
 X FOR REF. ONLY
 UNLESS OTHERWISE SPECIFIED ALL DIMENSIONS ARE IN INCHES

NOTICE:
 Use of this document is subject to a confidentiality and nondisclosure agreement with Great Lakes Case & Cabinet Co., Inc. (GLCC) and may not be reproduced, disclosed or utilized in whole or in part without prior written authorization from GLCC.

PART NUMBER:	910ES-3042MS
QTY PER UNIT:	1
MATERIAL TYPE:	CRS
MATERIAL GAUGE:	SEE NOTE 6
FINISH:	SEE NOTE 4
DRAWN:	FED 1/17/2014
CHECKED:	WSS 1/20/2014

TITLE:	91"H x 30"W x 42"D 'ES' SERIES ENCLOSURE	
P.O. BOX 551 EDINBORO, PA 16412 PHONE (814) 734-7303 FAX (814) 734-3907 E-MAIL: glcc@greatcabinets.com		
DWG NO:	910ES-3042MS	REV
		SHEET 1 OF 1