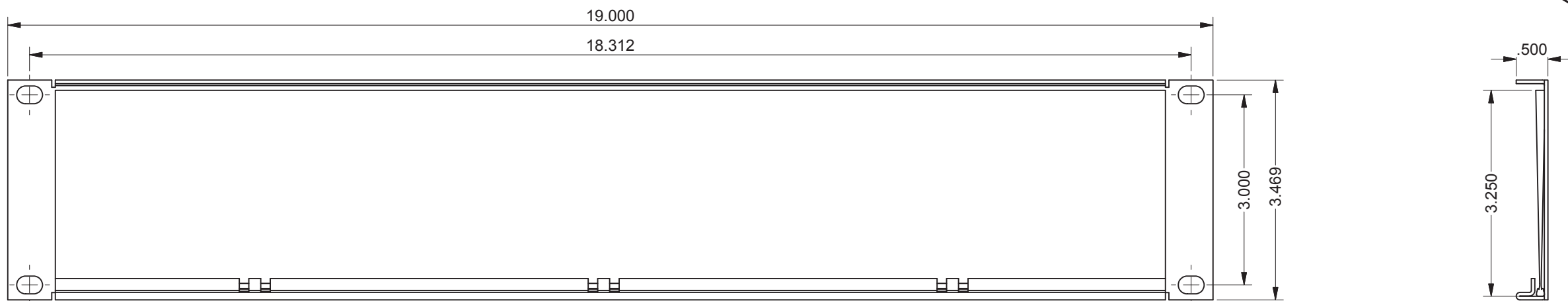
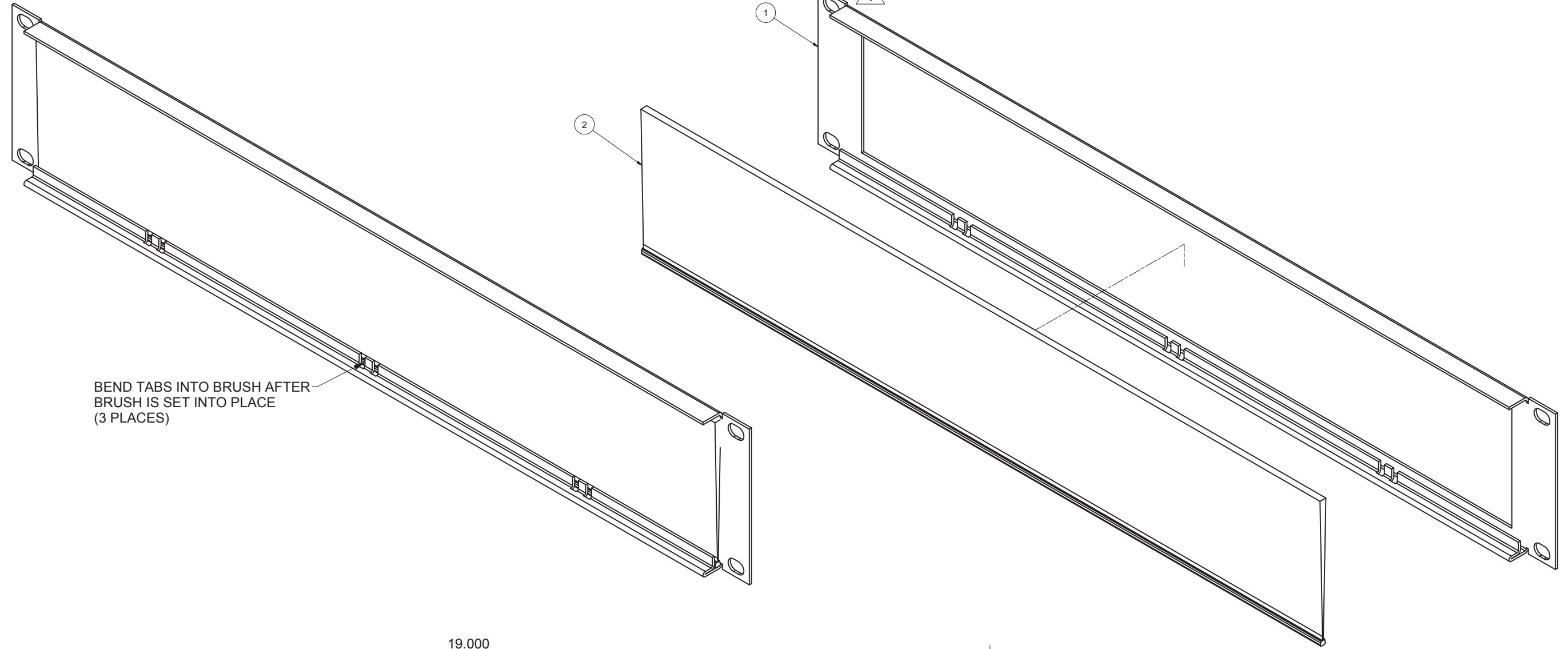


REVISION HISTORY			
REV	DESCRIPTION	DATE	APPROVED
0	ECO-02567	5/27/2009	CD
1	ECO-02583	6/17/09	WSS

Bill of Material						
ITEM	PART NUMBER	STOCK NUMBER	QTY	DESCRIPTION	FILE NAME	REVISION
1			1	1U HIGH 19" BRUSH FILLER PANEL	I008400.ipt	0
2			1	TANIS BRUSH, #2.5, STRIP BRUSH, NYLON FILL	I008401.ipt	1



INTERPRET DRAWING PER ASME Y14.5M-1994
 DIMENSIONAL LIMITS APPLY
 AFTER APPLICATION OF FINISH
 DRAWING NOT TO SCALE
 TOLERANCE UNLESS OTHERWISE NOTED:
 ANGULAR +/- 1
 .XXXX +/- .010
 .XXX +/- .015
 .XX +/- .030
 .X FOR REF. ONLY

NOTICE:
 Use of this document is subject to a confidentiality and nondisclosure agreement with Great Lakes Case & Cabinet Co., Inc. (GLCC) and may not be reproduced, disclosed or utilized in whole or in part without prior written authorization from GLCC.

PART NUMBER:
3.50FP19BG
 QTY PER UNIT: 1
 MATERIAL TYPE:
 -
 MATERIAL GAUGE:
#16 GA
 FINISH:
 -

TITLE
2 RMU FILLER PANEL 19" MOUNTING BRUSH GROMMET
 GREAT LAKES CASE & CABINET CO., INC.
 P.O. BOX 551 EDINBORO, PA 16412
 PHONE (814) 734-7303 FAX (814) 734-3907
 E-MAIL glcc@greatcabinets.com



THIRD ANGLE PROJECTION
 UNLESS OTHERWISE SPECIFIED
 ALL DIMENSIONS ARE IN INCHES

DRAWN CD DATE 5/27/2009
 CHECKED & APP. WSS DATE 5/27/09

DWG NO: I008399
 REV: 1
 SHEET: 1 OF 1