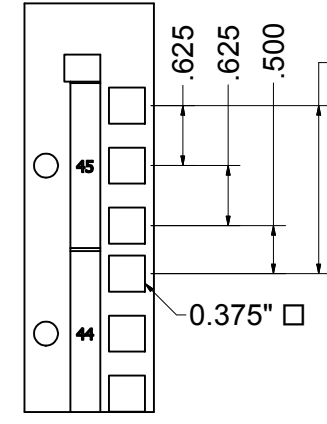
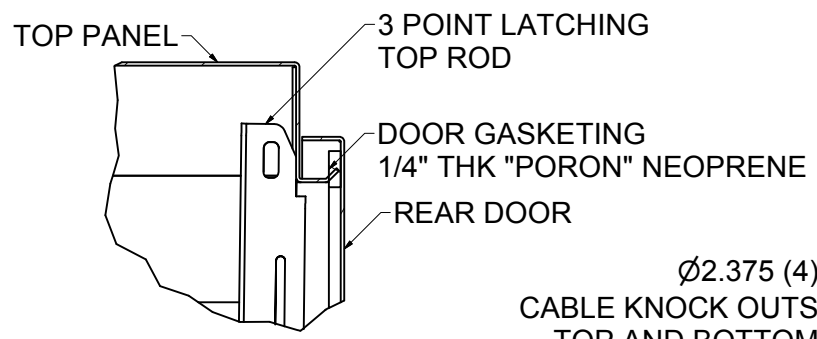


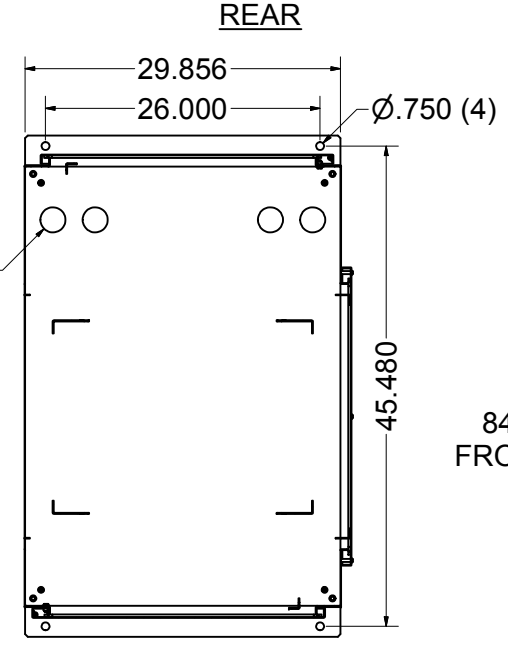
REVISION HISTORY		
REV	DATE	APPROVED
0	2/28/2012	MZ



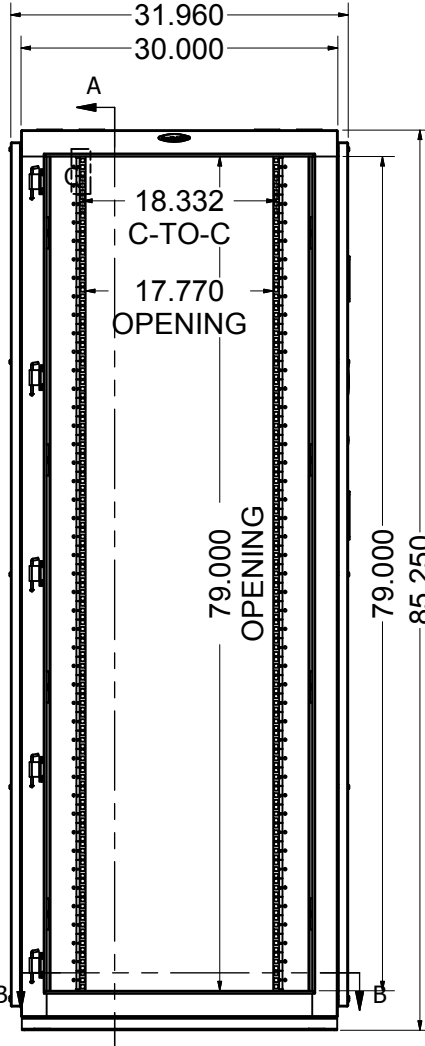
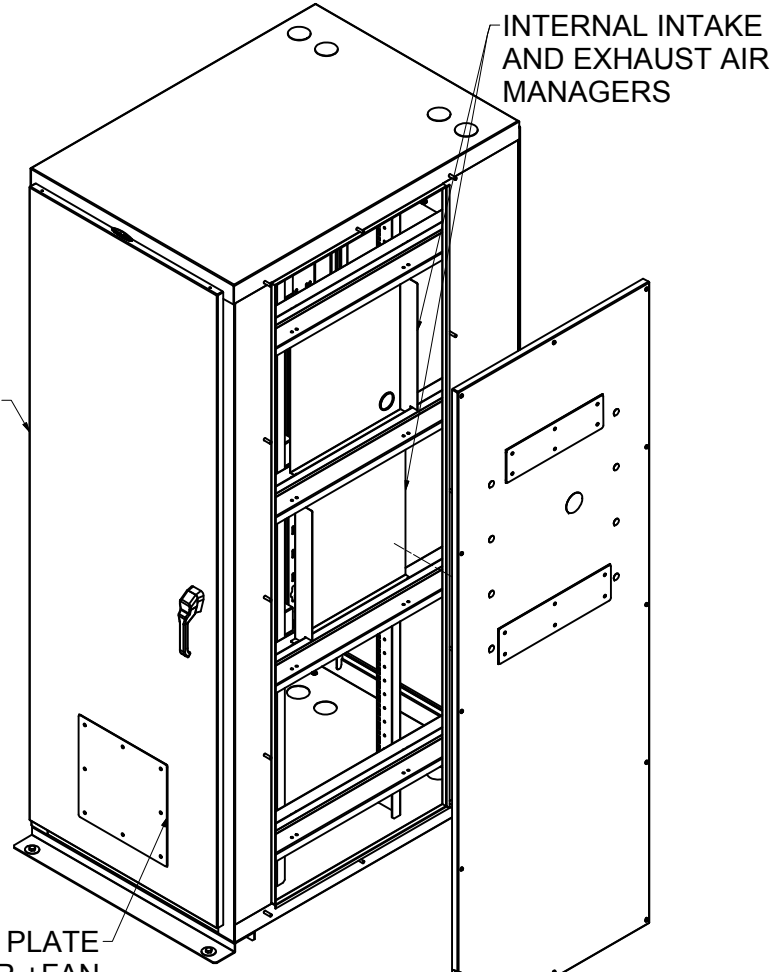
DETAIL C  
RAIL DETAIL



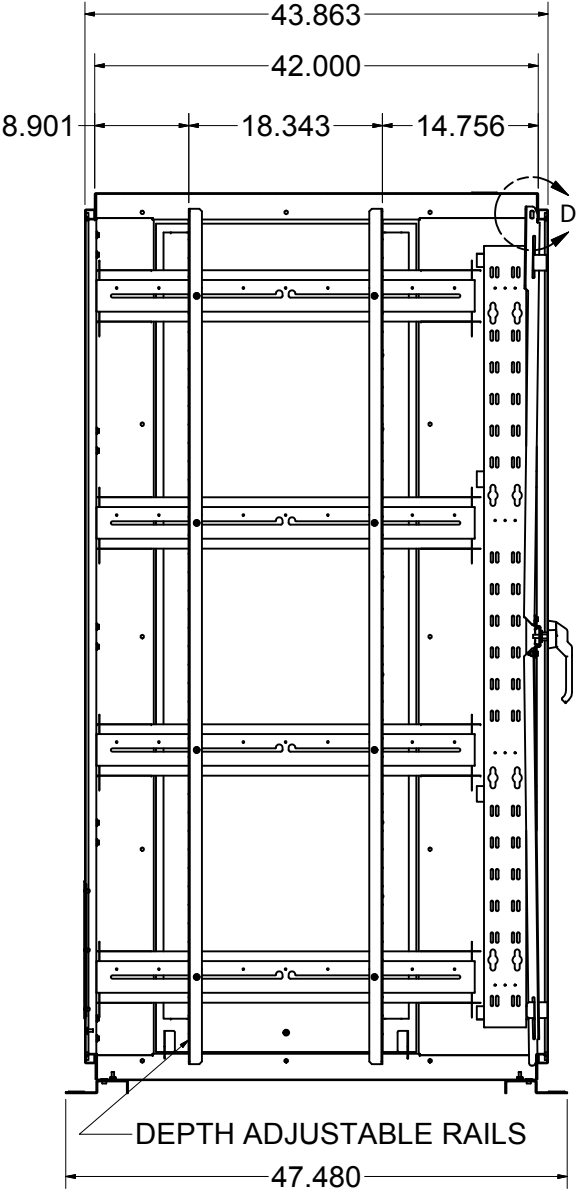
DETAIL D



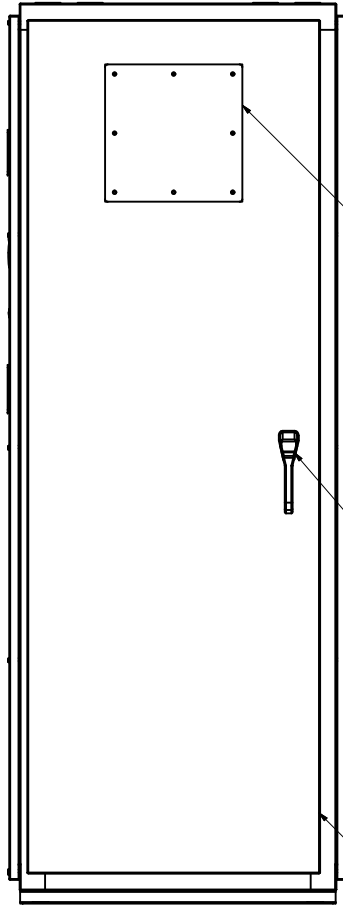
REAR  
SECTION B-B  
TOP AND BOTTOM



FRONT VIEW  
DOORS REMOVED FOR CLARITY



SECTION A-A



REAR VIEW

REAR EXHAUST GLAND PLATE  
OPTIONAL NEMA-12 EXHAUST FILTER  
SOLD SEPARATELY

FRONT INTAKE GLAND PLATE  
OPTIONAL NEMA-12 FILTER +FAN  
SOLD SEPARATELY  
AVAILABLE IN 230,295, OR 368 CFM

SWING HANDLE w/ HASP OPTION STD.  
KEYED LOCK OPTION,  
AVAILABLE PER SPECIAL REQUEST

8403N12R30  
REAR DOOR

**SPECIFICATIONS:**

**RACK SPACES:** 19" E 310-E COMPLIANT, 3/8" SQ. HOLE w/ RMU LABELS.

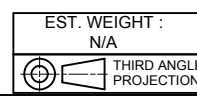
**WEIGHT CAPACITY:** 2000 LBS. (BOLTED TO FLOOR)

**COLOR:** DURABLE BLACK TEXTURE POWDER COAT.

**RATING:** NEMA-12

**CONSTRUCTION:** #11 GAUGE ANCHOR PLATES  
#12 GAUGE MOUNTING RAILS  
#14 GAUGE WELDED BODY AND DOORS

**HARDWARE:** PACKAGE OF QTY-50 METRIC 6mm SCREWS & CAGE NUTS INCLUDED.



INTERPRET DRAWING PER ASME Y14.5M-1994
DIMENSIONAL LIMITS APPLY AFTER APPLICATION OF FINISH
DRAWING NOT TO SCALE
TOLERANCE UNLESS OTHERWISE NOTED:
ANGULAR +/- .1°
.XXXX +/- .010
.XXX +/- .015
.XX +/- .030
.X FOR REF. ONLY
UNLESS OTHERWISE SPECIFIED ALL DIMENSIONS ARE IN INCHES

**NOTICE:**  
Use of this document is subject to a confidentiality and nondisclosure agreement with Great Lakes Case & Cabinet Co., Inc. (GLCC) and may not be reproduced, disclosed or utilized in whole or in part without prior written authorization from GLCC.

PART NUMBER: GL840N12-3042-SA
QTY PER UNIT: 1
MATERIAL TYPE:
MATERIAL GAUGE:
FINISH:
DRAWN MZ
DATE 2/28/2012
CHECKED & APP. WSS
DATE 2/28/2012

TITLE: 84"H x 30"W x 42"D NEMA12 ENCLOSURE WITH REMOVABLE SIDE PANEL FOR GL2500V, 3500V, 4500V & 6000V	
GREAT LAKES CASE & CABINET CO., INC. P.O. BOX 551 EDINBORO, PA 16412 PHONE (814) 734-7303 FAX (814) 734-3907 E-MAIL glcc@greatcabinets.com	
DWG NO: GL840N12	REV 0
SHEET: 1 OF 1	