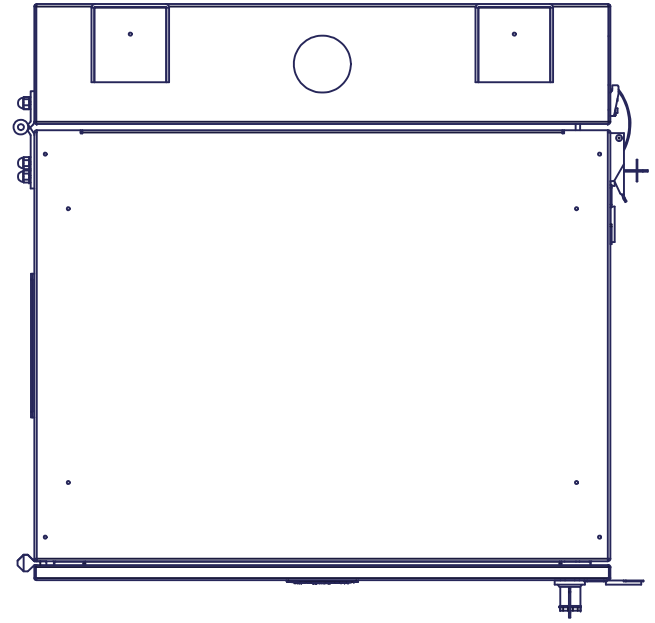
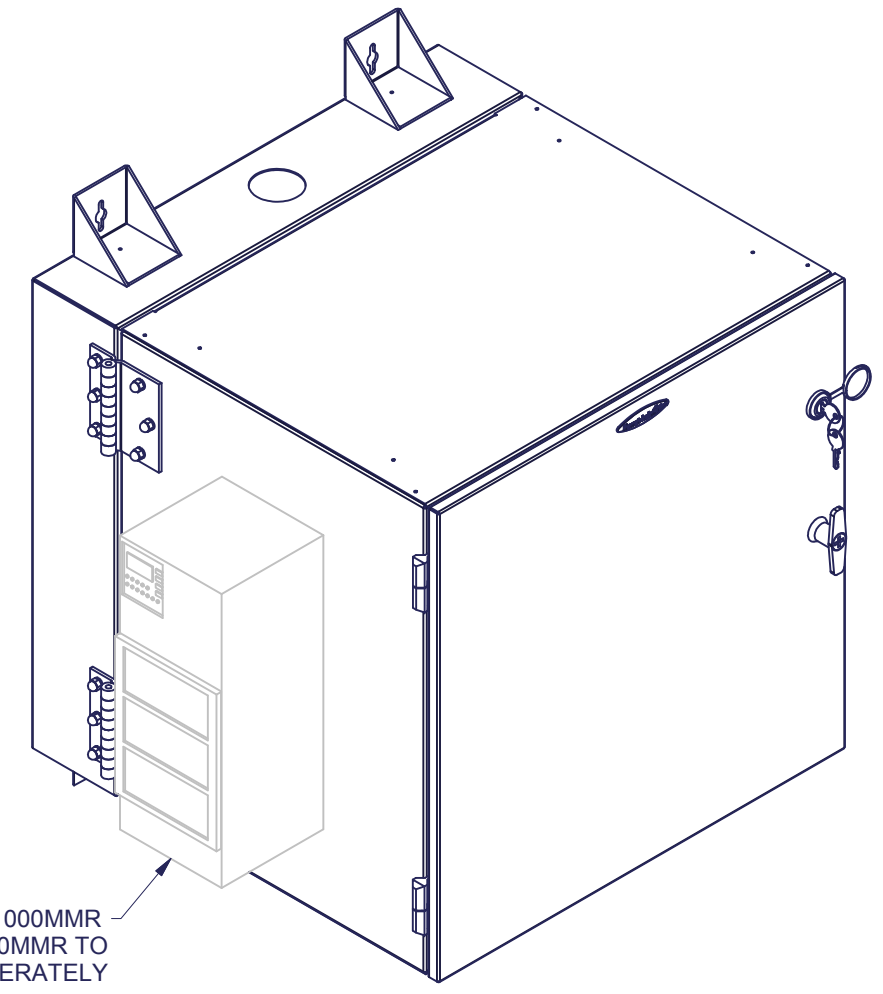
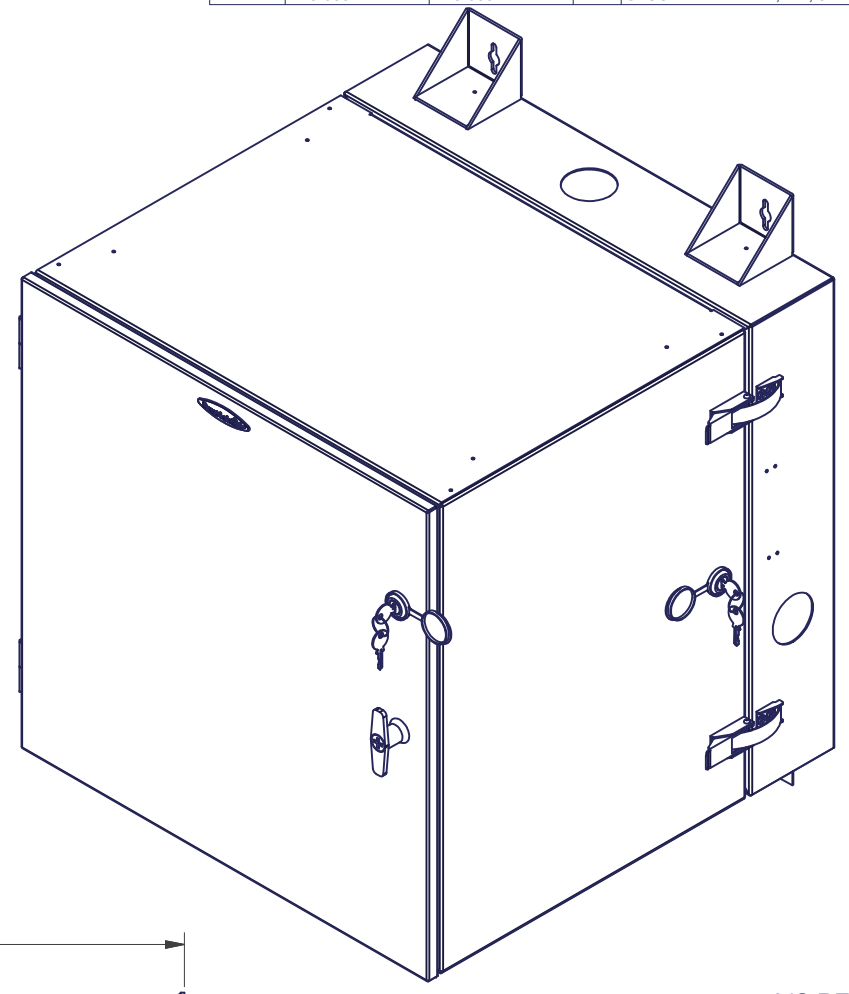


REVISION HISTORY			
REV	DESCRIPTION	DATE	APPROVED
0	ECO-06279	6/5/2014	CDM

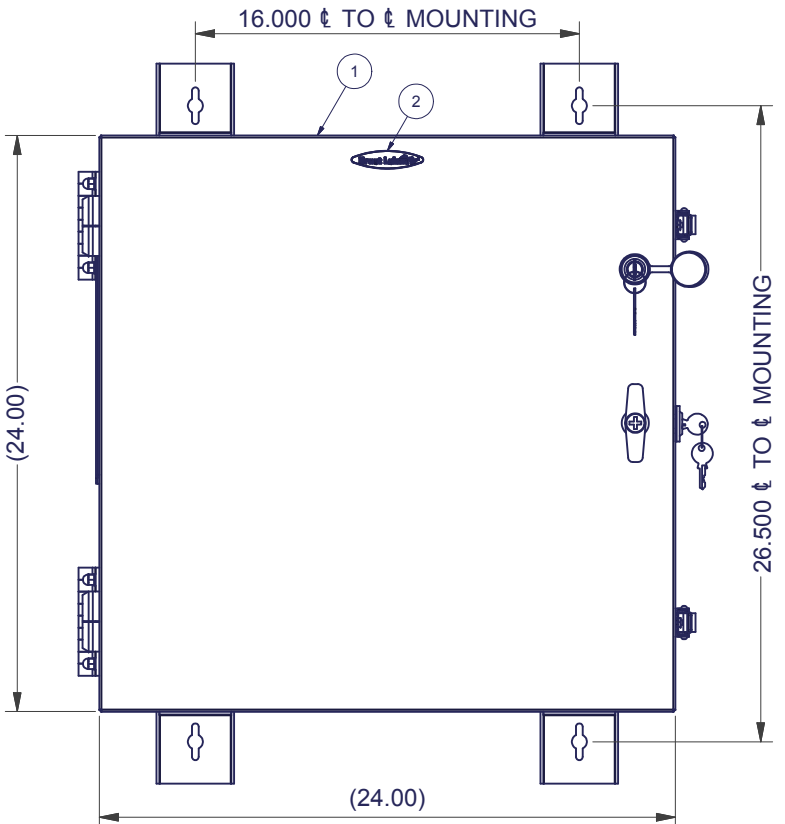
				Bill of Material		FILE NAME	REVISION
ITEM	PART NUMBER	STOCK NUMBER	QTY	DESCRIPTION			
1	240N12AX100		1	24"H x 24"W x 24"D NEMA 12 WALL MOUNTED ENCLOSURE ASSEMBLY FOR OPTIONAL A.C. UNITS IQ1000MMR / IQ1300MMR		I021861.iam	0
2	H18-003	H18-003	1	GLCC NAME PLATE, AL., 3" x .75" w/ "3MLSE9495" ADHESIVE, LaFrance Corp.		H18-003.ipt	



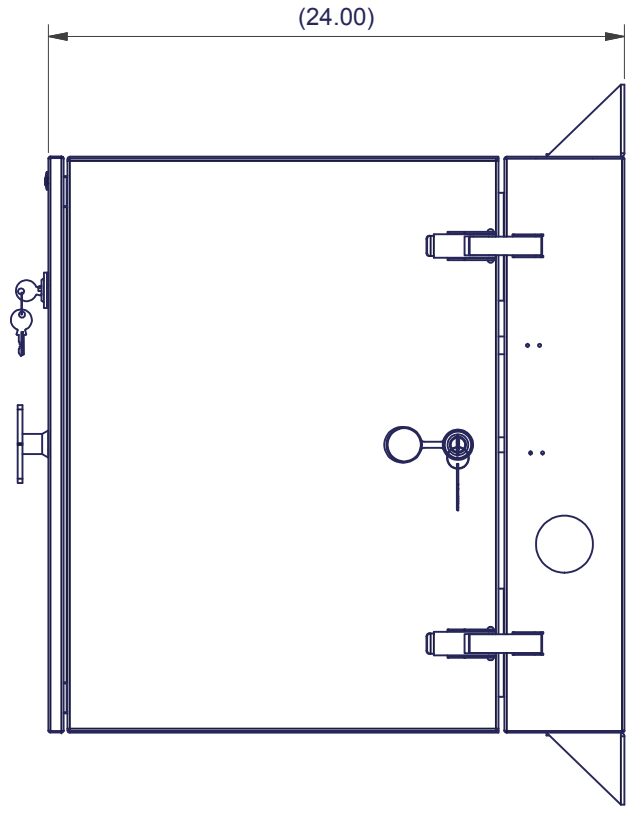
TOP VIEW



A/C REF. IQ1000MMR OR IQ1300MMR TO ORDER SEPARATELY



FRONT VIEW



RIGHT SIDE VIEW

NOTES:

1. ADD INSTRUCTIONS - FORM #: MS-5.02-14
2. MOUNTING HARDWARE TO BE INCLUDED, QTY (50), #12-24UNC X 1/2" LONG PHILLIPS HEAD BLACK PLATED SCREWS, TYPE 23, IN A CLEAR SEALABLE BAG.
3. A LARGER PLASTIC BAG SHALL BE TIED TO THE RAILS, IN THAT BAG SHALL BE THE RESPECTIVE MOUNTING HARDWARE IN THE SEALED BAG, INSTRUCTIONS, AND THE KEYS TO THE UNIT.

EST. WEIGHT :
95.50 lbmass



INTERPRET DRAWING PER ASME Y14.5M-1994
DIMENSIONAL LIMITS APPLY AFTER APPLICATION OF FINISH
DRAWING NOT TO SCALE
TOLERANCE UNLESS OTHERWISE NOTED:
ANGULAR +/- .1°
.XXXX +/- .010
.XXX +/- .015
.XX +/- .030
.X FOR REF. ONLY
UNLESS OTHERWISE SPECIFIED ALL DIMENSIONS ARE IN INCHES

NOTICE:
Use of this document is subject to a confidentiality and nondisclosure agreement with Great Lakes Case & Cabinet Co., Inc. (GLCC) and may not be reproduced, disclosed or utilized in whole or in part without prior written authorization from GLCC.

PART NUMBER: 240N12AX200
QTY PER UNIT: 1
MATERIAL TYPE: CRS
MATERIAL GAUGE: SEE DETAILS
FINISH: -
DRAWN: CDM
CHECKED & APP. WSS
DATE: 6/4/2014
DATE: 6/13/2014

TITLE: 24"H x 24"W x 24"D NEMA 12 WALL MOUNTED ENCLOSURE ASSEMBLY FOR OPTIONAL A.C. UNITS IQ1000MMR/IQ1300MMR
GREAT LAKES CASE & CABINET CO., INC.
P.O. BOX 551 EDINBORO, PA 16412
PHONE (814) 734-7303 FAX (814) 734-3907
E-MAIL glcc@greatcabinets.com
DWG NO: I021869
REV: 0
SHEET: 1 OF 1