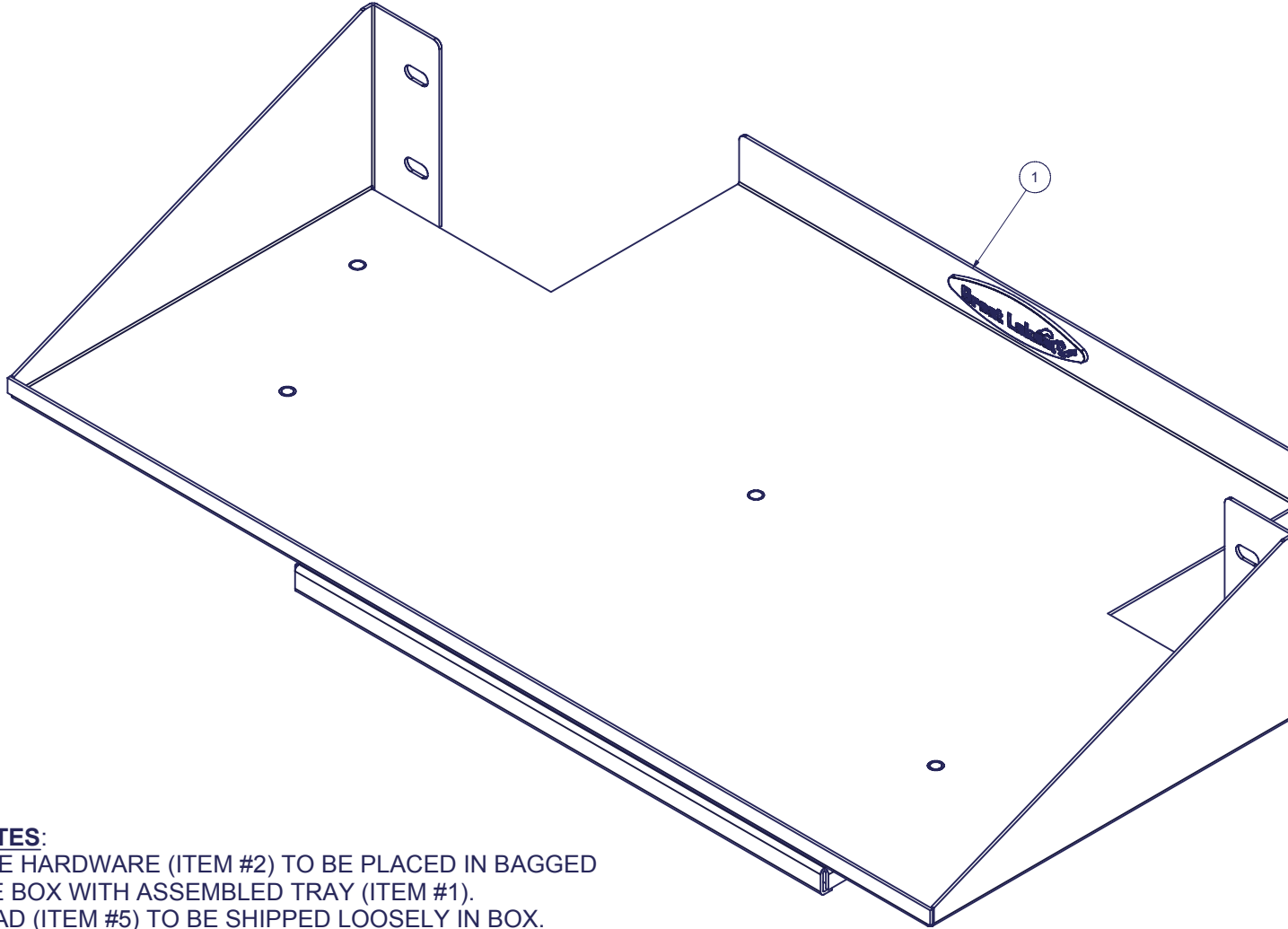


REVISION HISTORY			
REV	DESIGNATION	DATE	APPROVED
0	ECO-02273	5/9/08	WSS
1	ECO-02304	6/18/08	WSS

Bill of Material					
ITEM	PART NUMBER	QTY	DESCRIPTION	FILE NAME	REVISION
1	1984-KMX100	1	KEYBOARD TRAY WITH SWING OUT MOUSE PLATFORM - VENDOR LEVEL	I006844.iam	4
2	H01-085	4	SCREW, 12-24x1/2" PH PAN TYPE 23 BLACK OXIDE/WAX RoHS	H01-85.ipt	
3	100-0269	1	23.5 H x 20 W x 7 D PACKAGING BOX		
4	1984KM LABEL	1	BOXING LABEL FOR 1984-KM		
5	H18-051	1	GLCC MOUSE PAD		



**SPECIAL NOTES:**

- 1) ALL LOOSE HARDWARE (ITEM #2) TO BE PLACED IN BAGGED KIT INSIDE BOX WITH ASSEMBLED TRAY (ITEM #1).
- 2) MOUSE PAD (ITEM #5) TO BE SHIPPED LOOSELY IN BOX.
- 3) PACKAGE AS SHOWN ON SHEET 2 & 3.
- 4) DO NOT INCLUDE LOGO FIXTURE IN TOP LEVEL

INTERPRET DRAWING PER ASME Y14.5M-1994
DIMENSIONAL LIMITS APPLY AFTER APPLICATION OF FINISH
DRAWING NOT TO SCALE
TOLERANCE UNLESS OTHERWISE NOTED:
ANGULAR +/- 1-
.XXXX +/- .010
.XXX +/- .015
.XX +/- .030
.X FOR REF. ONLY

**NOTICE:**  
 Use of this document is subject to a confidentiality and nondisclosure agreement with Great Lakes Case & Cabinet Co., Inc. (GLCC) and may not be reproduced, disclosed or utilized in whole or in part without prior written authorization from GLCC.

PART NUMBER:	1984-KM
QTY PER UNIT:	1
MATERIAL TYPE:	-
MATERIAL GAUGE:	#16 GA
FINISH:	-
DRAWN	DATE
CD	5/9/2008
CHECKED & APP.	DATE
WSS	5/9/08

TITLE	KEYBOARD TRAY WITH SWING OUT MOUSE PLATFORM - TOP LEVEL
GREAT LAKES CASE & CABINET CO., INC.	
P.O. BOX 551 EDINBORO, PA 16412	
PHONE (814) 734-7303 FAX (814) 734-3907	
E-MAIL glcc@greatcabinets.com	

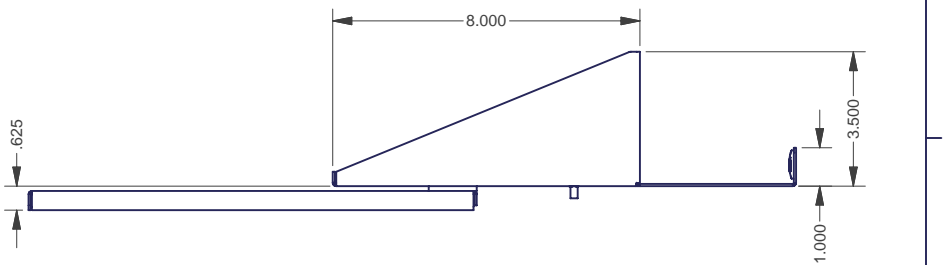
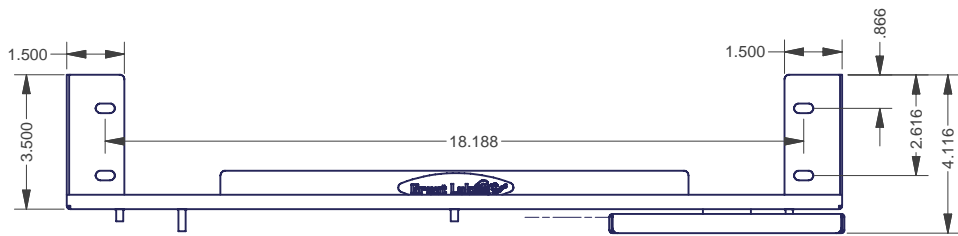
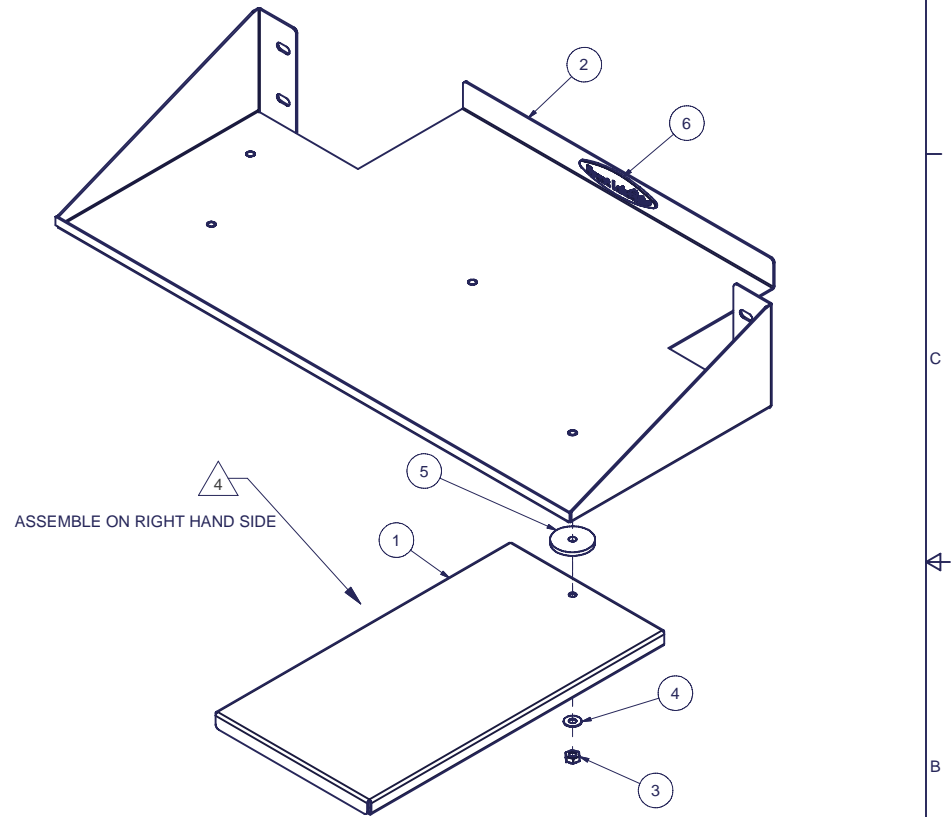
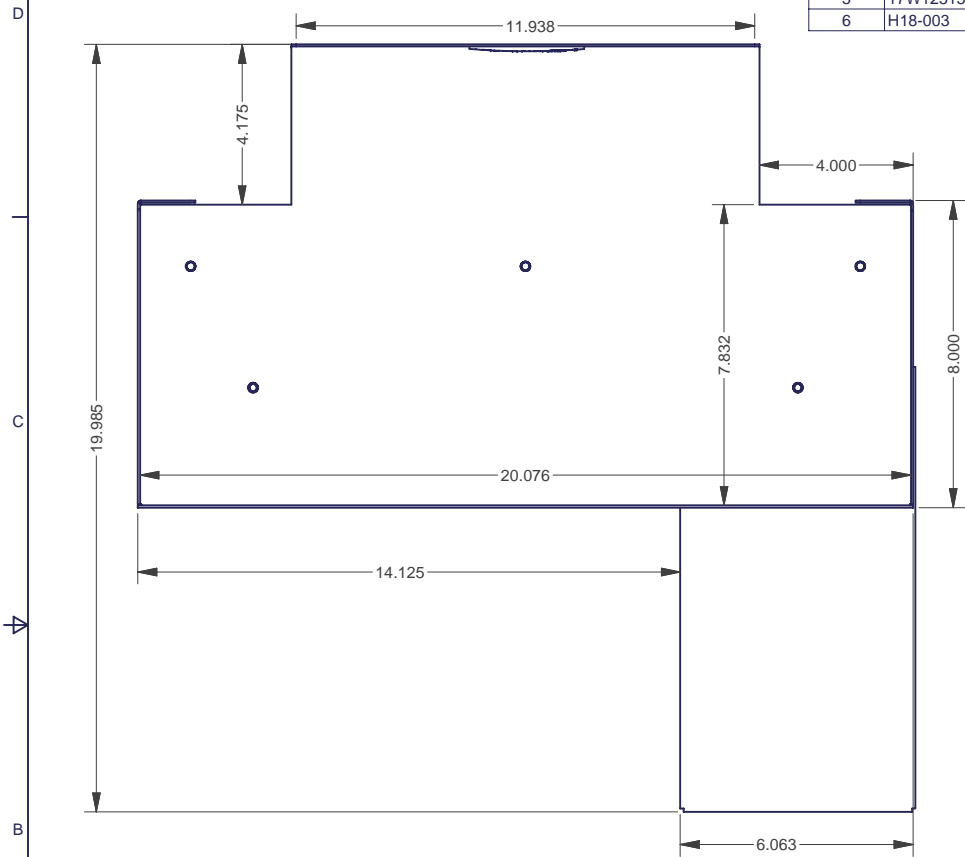


UNLESS OTHERWISE SPECIFIED ALL DIMENSIONS ARE IN INCHES

DWG NO:	REV	SHEET:
I007015	1	1 OF 3

REVISION HISTORY			
REV	DESCRIPTION	DATE	APPROVED
0	ECO-02237	4/9/2008	WSS
1	ECO-02260	5/1/08	WSS
2	ECO-02268	5/6/08	WSS
3	ECO-02273	5/9/08	WSS
4	ECO-02304	4/9/2008	CaiusD

Bill of Material					
ITEM	PART NUMBER	QTY	DESCRIPTION	FILE NAME	REVISION
1		1	SWING OUT MOUSE PLATFORM FOR KEYBOARD TRAY	I006846.ipt	1
2		1	KEYBOARD TRAY	I006845.iam	1
3	10-32STOPNUT	1	10-32 ELASTIC STOP NUT, 2ZN3687	10-32STOPNUT.ipt	-
4	10ZNWSHR	1	#10 ZINC PLATED WASHER	10ZNWSHR.ipt	-
5	17W12515	1	1.250" OD X 0.226" ID X 0.125" THICK NYLON WASHER (MICRO PLASTICS, INC.)	17W12515.ipt	-
6	H18-003	1	GLCC NAME PLATE, AL., 3" x .75" w/ "3MLSE9495" ADHESIVE, LaFrance Corp.	GL-NAMEPLATE.ipt	-



VIEWS SHOWN WITH 90° SWING

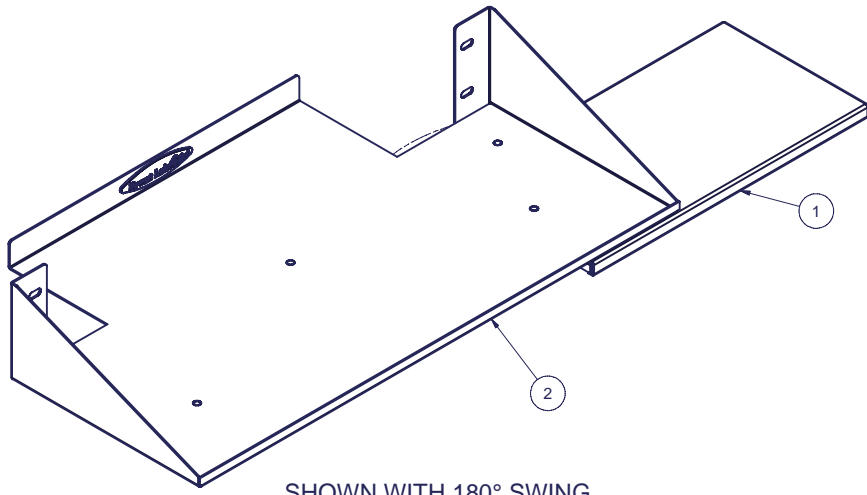
INTERPRET DRAWING PER ASME Y14.5M-1994
DIMENSIONAL LIMITS APPLY AFTER APPLICATION OF FINISH
DRAWING NOT TO SCALE
TOLERANCE UNLESS OTHERWISE NOTED:
ANGULAR +/- 1°
.XXXX +/- .010
.XXX +/- .015
.XX +/- .030
.X FOR REF. ONLY
UNLESS OTHERWISE SPECIFIED ALL DIMENSIONS ARE IN INCHES

**NOTICE:**  
 Use of this document is subject to a confidentiality and nondisclosure agreement with Great Lakes Case & Cabinet Co., Inc. (GLCC) and may not be reproduced, disclosed or utilized in whole or in part without prior written authorization from GLCC.

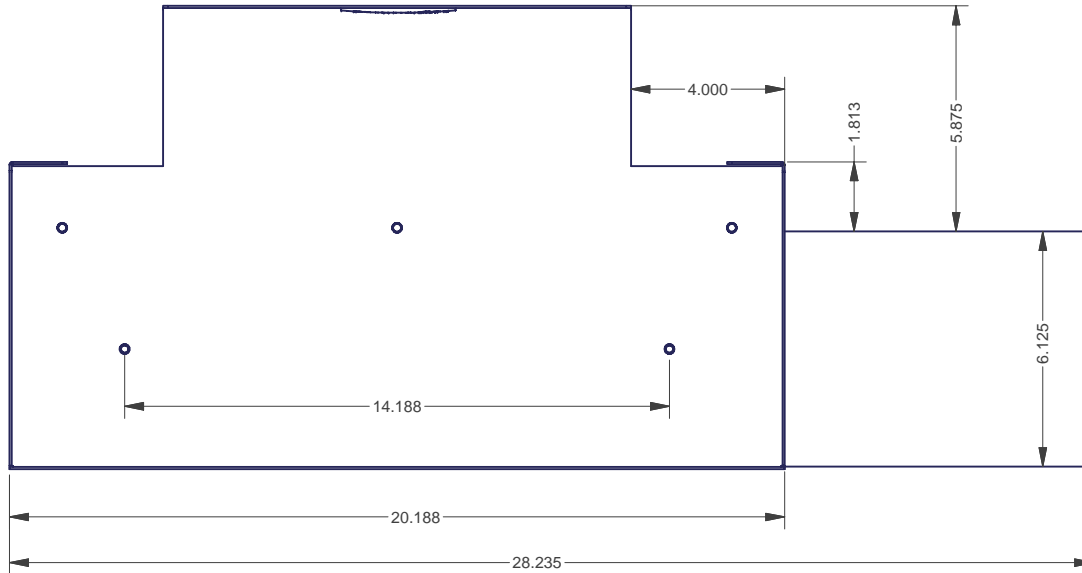
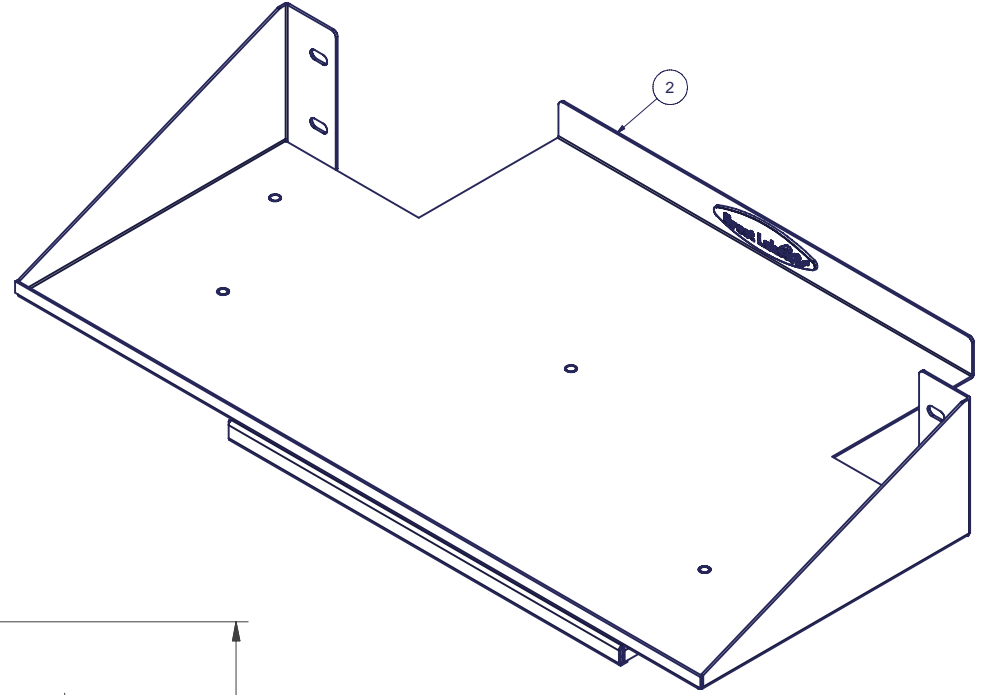
PART NUMBER:	1984-KMX100
QTY PER UNIT:	1
MATERIAL TYPE:	-
MATERIAL GAUGE:	-
FINISH:	-
DRAWN	DATE
CD	4/9/2008
CHECKED & APP.	DATE
WSS	4/9/08

TITLE	KEYBOARD TRAY WITH SWING OUT MOUSE PLATFORM - VENDOR LEVEL	
GREAT LAKES CASE & CABINET CO., INC.		
P.O. BOX 551 EDINBORO, PA 16412		
PHONE (814) 734-7303 FAX (814) 734-3907		
E-MAIL glcc@greatcabinets.com		
DWG NO:	REV	SHEET: 1 OF 3
I006844	4	





SHOWN WITH 180° SWING



THIRD ANGLE PROJECTION

INTERPRET DRAWING PER ASME Y14.5M-1994  
 DIMENSIONAL LIMITS APPLY  
 AFTER APPLICATION OF FINISH  
 DRAWING NOT TO SCALE  
 TOLERANCE UNLESS OTHERWISE NOTED:  
 ANGULAR +/- 1°  
 .XXXX +/- .010  
 .XXX +/- .015  
 .XX +/- .030  
 .X FOR REF. ONLY

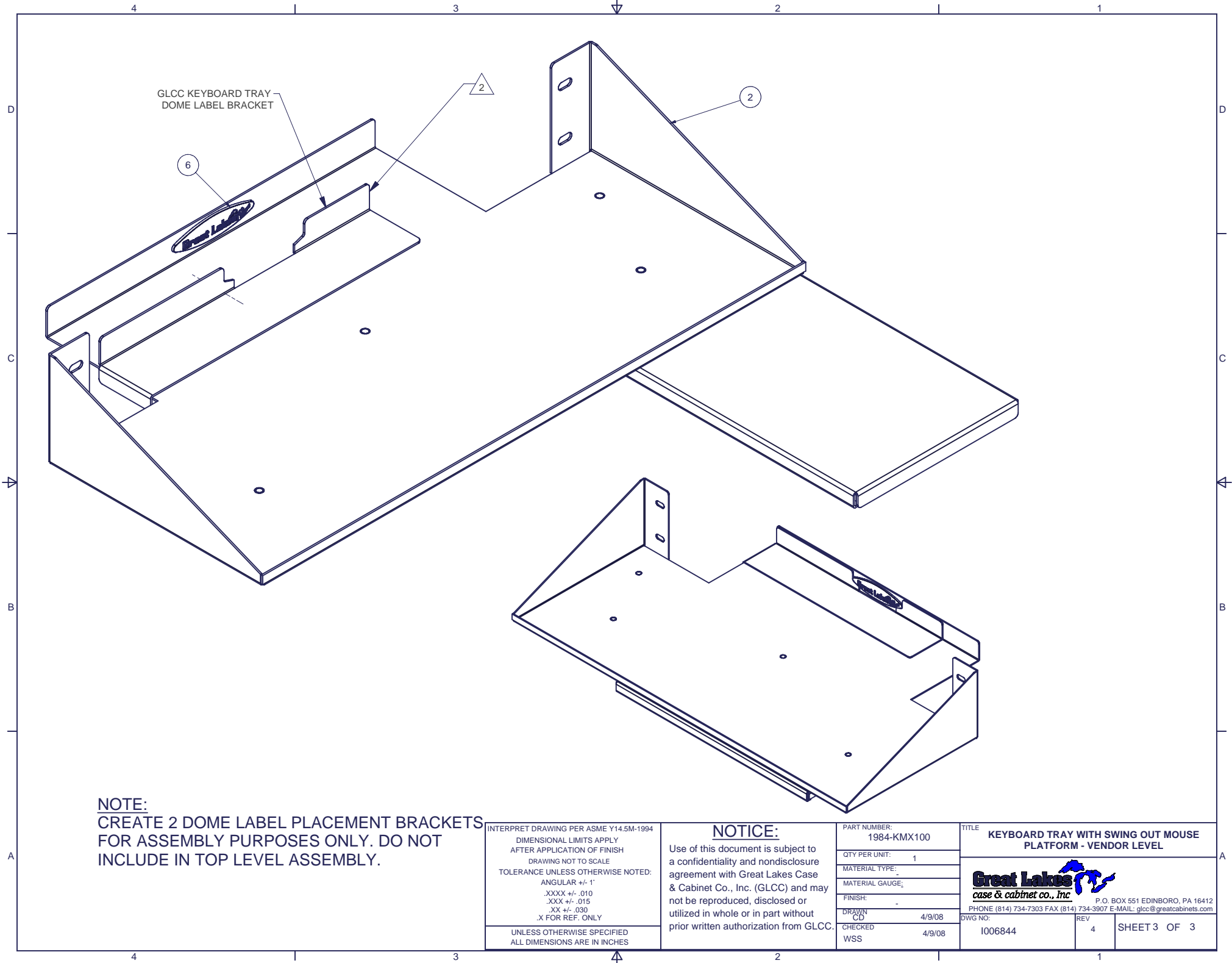
UNLESS OTHERWISE SPECIFIED  
 ALL DIMENSIONS ARE IN INCHES

**NOTICE:**

Use of this document is subject to a confidentiality and nondisclosure agreement with Great Lakes Case & Cabinet Co., Inc. (GLCC) and may not be reproduced, disclosed or utilized in whole or in part without prior written authorization from GLCC.

PART NUMBER: <b>1984-KMX100</b>	
QTY PER UNIT:	1
MATERIAL TYPE:	-
MATERIAL GAUGE:	-
FINISH:	-
DRAWN	DATE
CD	4/9/2008
CHECKED & APP.	DATE
WSS	4/9/08

TITLE <b>KEYBOARD TRAY WITH SWING OUT MOUSE PLATFORM - VENDOR LEVEL</b>	
GREAT LAKES CASE & CABINET CO., INC. P.O. BOX 551 EDINBORO, PA 16412 PHONE (814) 734-7303 FAX (814) 734-3907 E-MAIL glcc@greatcabinets.com	
DWG NO: <b>1006844</b>	REV <b>4</b>
SHEET: 2 OF 3	



**NOTE:**  
 CREATE 2 DOME LABEL PLACEMENT BRACKETS  
 FOR ASSEMBLY PURPOSES ONLY. DO NOT  
 INCLUDE IN TOP LEVEL ASSEMBLY.

INTERPRET DRAWING PER ASME Y14.5M-1994  
 DIMENSIONAL LIMITS APPLY  
 AFTER APPLICATION OF FINISH  
 DRAWING NOT TO SCALE  
 TOLERANCE UNLESS OTHERWISE NOTED:  
 ANGULAR +/- 1'  
 .XXXX +/- .010  
 .XXX +/- .015  
 .XX +/- .030  
 .X FOR REF. ONLY

---

UNLESS OTHERWISE SPECIFIED  
 ALL DIMENSIONS ARE IN INCHES

**NOTICE:**  
 Use of this document is subject to  
 a confidentiality and nondisclosure  
 agreement with Great Lakes Case  
 & Cabinet Co., Inc. (GLCC) and may  
 not be reproduced, disclosed or  
 utilized in whole or in part without  
 prior written authorization from GLCC.

PART NUMBER: 1984-KMX100	
QTY PER UNIT:	1
MATERIAL TYPE:	-
MATERIAL GAUGE:	-
FINISH:	-
DRAWN CD	4/9/08
CHECKED WSS	4/9/08

TITLE KEYBOARD TRAY WITH SWING OUT MOUSE PLATFORM - VENDOR LEVEL		
		
P.O. BOX 551 EDINBORO, PA 16412 PHONE (814) 734-7303 FAX (814) 734-3907 E-MAIL: glcc@greatcabinets.com		
DWG NO: I006844	REV 4	SHEET 3 OF 3