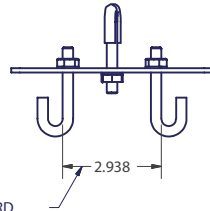
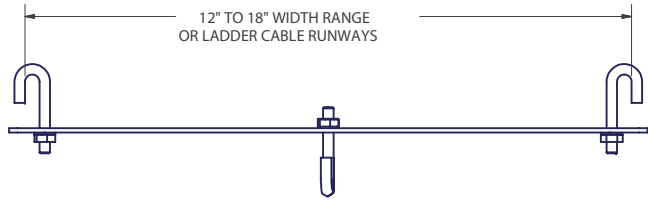
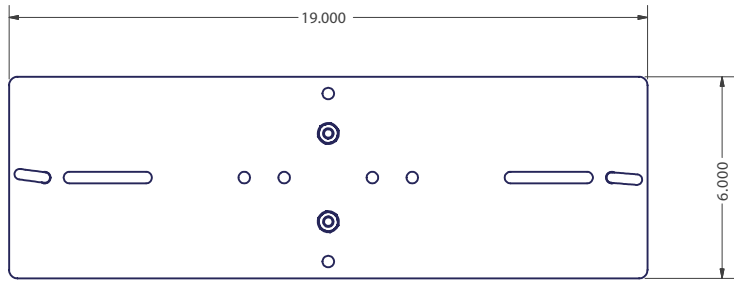
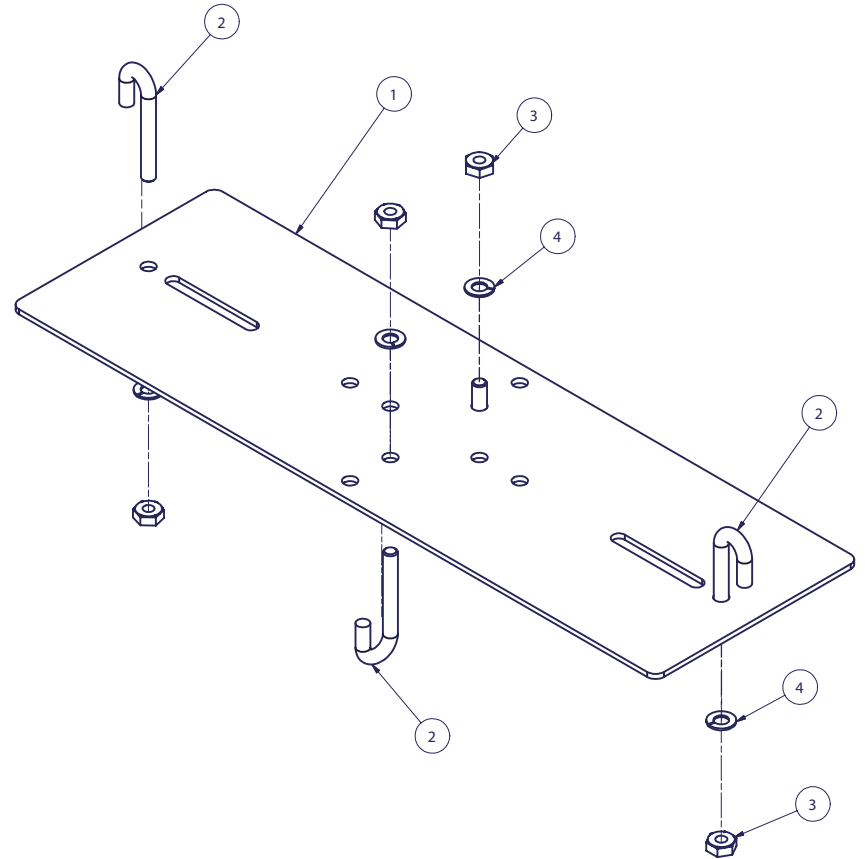
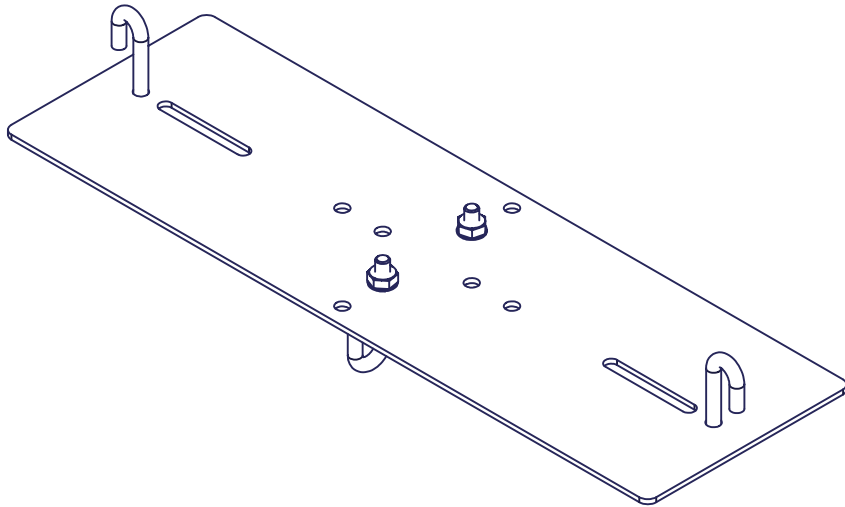


Bill of Material					
ITEM	PART NUMBER	QTY	DESCRIPTION	FILE NAME	REVISION
1	1984LRX100	1	CABLE RUNWAY SUPPORT BRACKET FOR GLRR-1984 OPEN BAY RACK	l001561.ipt	0
2	1984LRJX100	4	LADDER RACK SUPPORT BRACKET "J" BOLT - ZINC PLATED , 5/16"	l001563.ipt	0
3	5/1618HXNUT	4	5/16 - 18 HEX NUT, 3ZN457	516-18HXNUT.ipt	-
4	5/16SPLWSHR	4	WASHER, 5/16" SPLIT LOCK, STEEL	516SPLWSHR.ipt	-



WIDTH TO FIT ONTO STANDARD  
TOP ANGLE OF GLRR-1984  
OR ANY OTHER 3" DEEP ALUMINUM RACK



INTERPRET DRAWING PER ASME Y14.5M-1994  
DIMENSIONAL LIMITS APPLY  
AFTER APPLICATION OF FINISH  
DRAWING NOT TO SCALE  
TOLERANCE UNLESS OTHERWISE NOTED:  
ANGULAR +/- 1 °  
.XXXX +/- .010  
.XXX +/- .015  
.XX +/- .030  
X FOR REF. ONLY



THIRD ANGLE  
PROJECTION

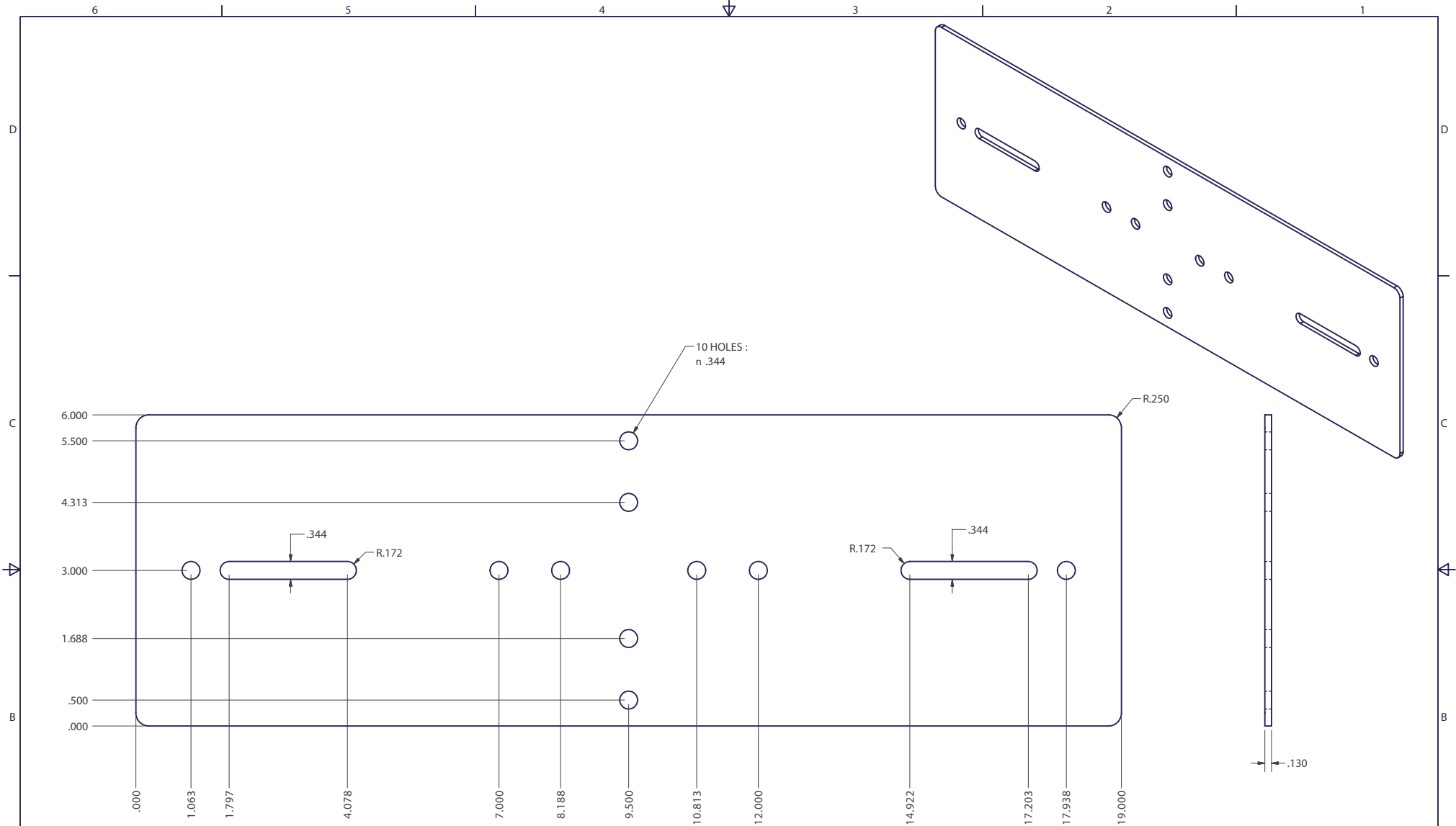
UNLESS OTHERWISE SPECIFIED  
ALL DIMENSIONS ARE IN INCHES

**NOTICE:**

Use of this document is subject to a confidentiality and nondisclosure agreement with Great Lakes Case & Cabinet Co., Inc. (GLCC) and may not be reproduced, disclosed or utilized in whole or in part without prior written authorization from GLCC.

PART NUMBER: <b>1984LR</b>	
QTY PER UNIT:	1
MATERIAL TYPE:	N/A
MATERIAL GAUGE:	#10 GA
FINISH:	N/A
DRAWN	DATE
WSS	7/18/2003
CHECKED & APP.	DATE
WSS	7/18/03

TITLE LADDER RACK SUPPORT BRACKET FOR GLRR-1984 OPEN BAY RACK ASSEMBLY KIT	
GREAT LAKES CASE & CABINET CO., INC. P.O. BOX 551 EDINBORO, PA 16412 PHONE (814) 734-7303 FAX (814) 734-3907 E-MAIL glcc@greatcabinets.com	
DWG NO. <b>1001562</b>	REV <b>0</b>
SHEET: 1 OF 1	



**NOTES:**

- 1) FINISH PER GLCC TECH. DOC. #TD-09-103 (POWDER COAT) CLASS B, TEXTURE LEVEL 3 - ALL SURFACES UNLESS OTHERWISE NOTED.
- 2) DIMENSIONS SHOWN ARE PRIOR TO APPLICATION OF FINISH.

INTERPRET DRAWING PER ASME Y14.5M-1994
DIMENSIONAL LIMITS APPLY AFTER APPLICATION OF FINISH
DRAWING NOT TO SCALE
TOLERANCE UNLESS OTHERWISE NOTED:
ANGULAR +/- .1
.XXXX +/- .010
.XXX +/- .015
.XX +/- .030
X FOR REF. ONLY

**NOTICE:**  
 Use of this document is subject to a confidentiality and nondisclosure agreement with Great Lakes Case & Cabinet Co., Inc. (GLCC) and may not be reproduced, disclosed or utilized in whole or in part without prior written authorization from GLCC.

PART NUMBER:	1984LR
QTY PER UNIT:	1
MATERIAL TYPE:	C.R.S.
MATERIAL GAUGE:	#10 GA.
FINISH:	SEE NOTES
DRAWN	DATE
WSS	7/18/2003
CHECKED & APP.	DATE
WSS	7/18/03

TITLE		CABLE RUNWAY SUPPORT BRACKET FOR GLRR-1984 OPEN BAY RACK	
GREAT LAKES CASE & CABINET CO., INC.			
P.O. BOX 551 EDINBORO, PA 16412			
PHONE (814) 734-7303 FAX (814) 734-3907			
E-MAIL glcc@greatcabinets.com			
DWG NO:	REV	SHEET:	1 OF 1
1001561	0		



THIRD ANGLE PROJECTION

UNLESS OTHERWISE SPECIFIED ALL DIMENSIONS ARE IN INCHES