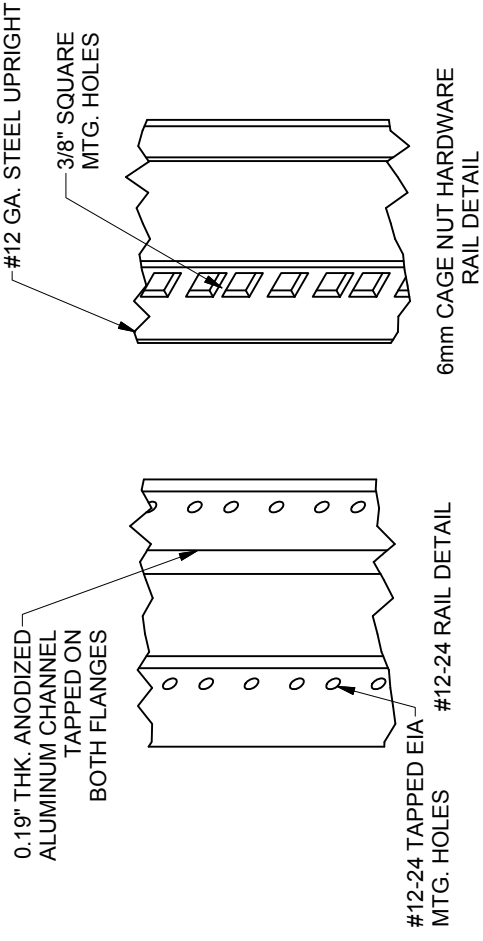
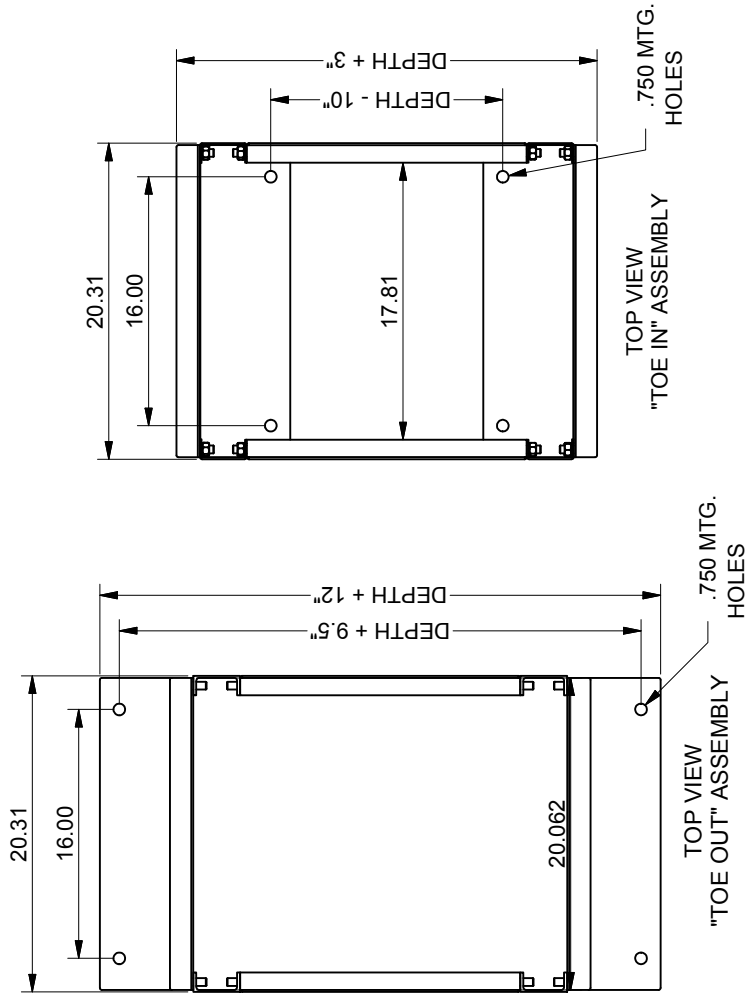


CONSTRUCTION:

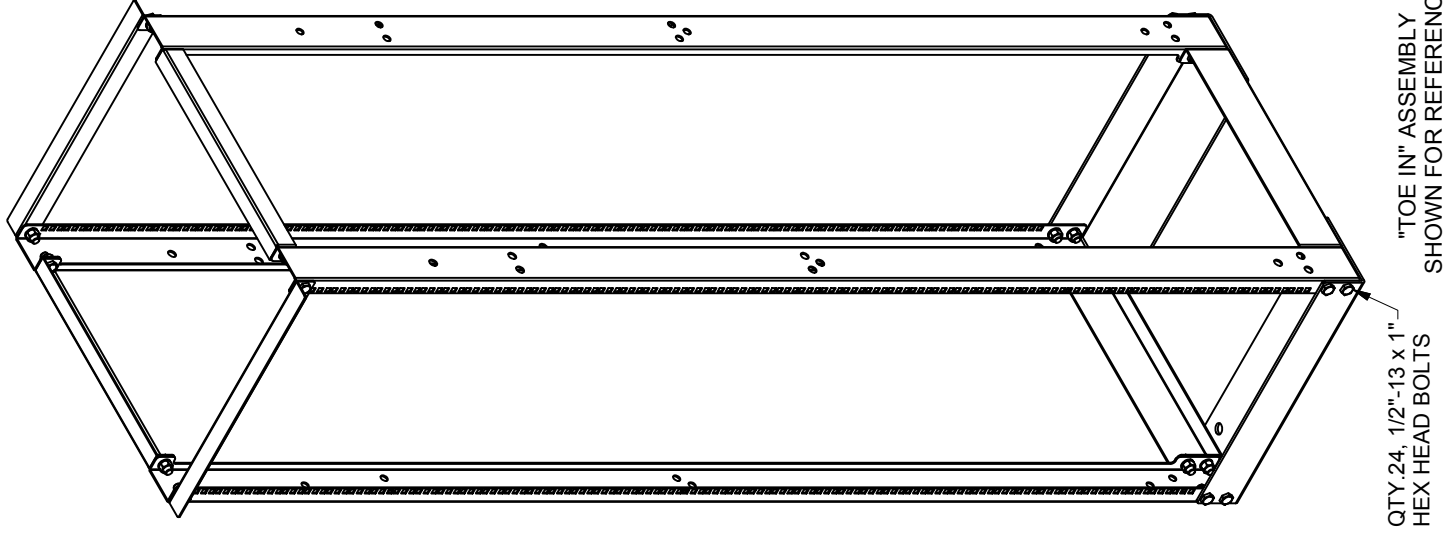
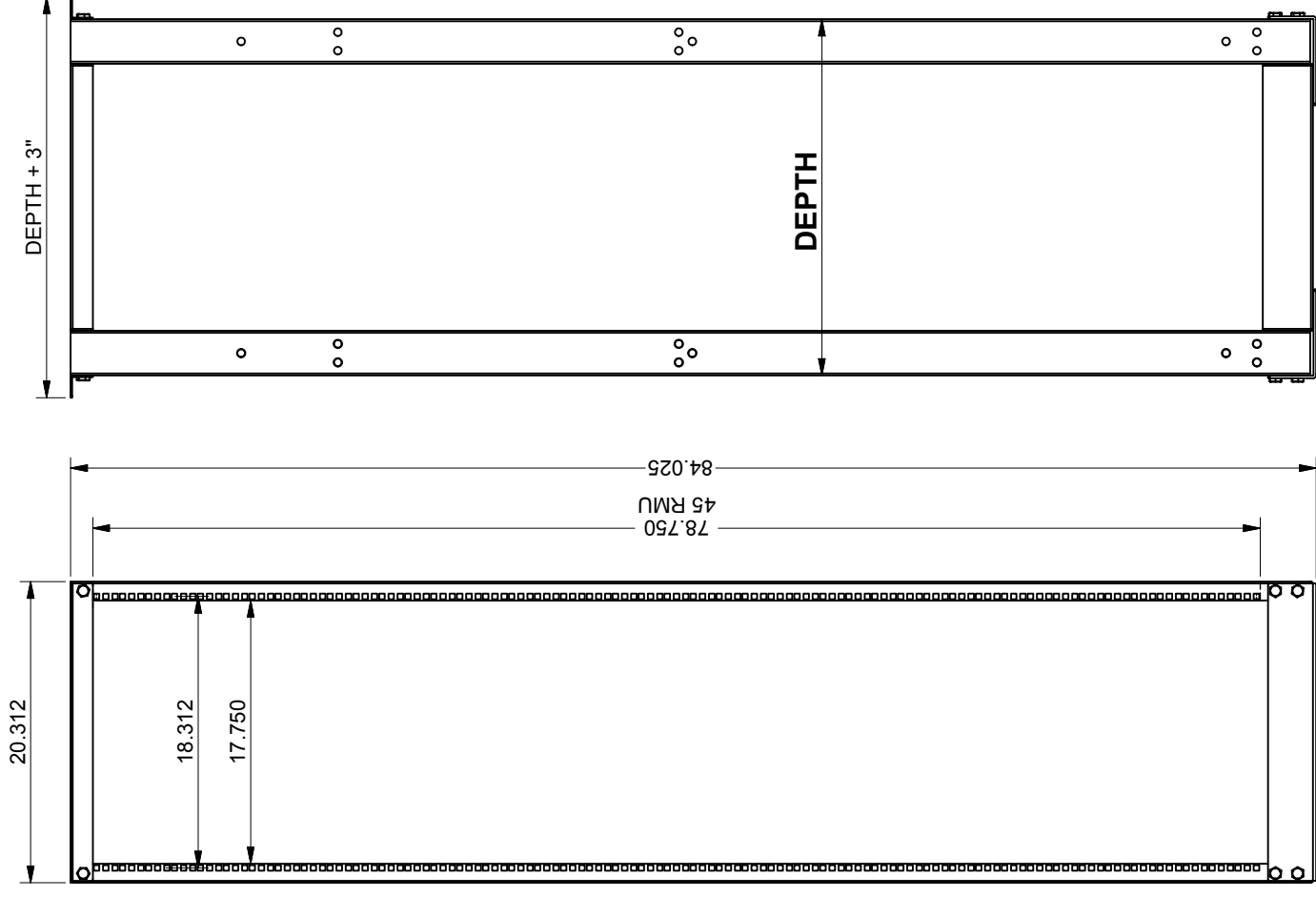
BOLT TOGETHER CONSTRUCTION, SHIPS FLAT AS KIT
 STEEL COMPONENTS - DURABLE TEXTURE POWDER COAT
 .19" THK ALUMINUM UPRIGHTS - BLACK ANODIZED FINISH (#12-24 THD. ONLY)
 #7 GA. C.R.S. HORIZONTAL FOOT BRACKETS
 #12 GA. C.R.S. TOP AND BOTTOM DEPTH BRACKETS
 #12 GA. C.R.S. HORIZONTAL TOP BRACKETS



M6 OR #12-24 RAIL OPTIONS



PART NUMBER	DEPTH
4P*-24	24.00"
4P*-29	29.00"
4P*-32	32.00"
4P*-36	36.00"



INTERPRET DRAWING PER ASME Y14.5M-1994
 DIMENSIONAL LIMITS APPLY
 AFTER APPLICATION OF FINISH
 DRAWING NOT TO SCALE
 TOLERANCE UNLESS OTHERWISE NOTED:
 ANGULAR +/- .1
 .XXX +/- .010
 .XX +/- .005
 .X FOR REF. ONLY
 UNLESS OTHERWISE SPECIFIED
 ALL DIMENSIONS ARE IN INCHES

NOTICE:
 Use of this document is subject to a confidentiality and nondisclosure agreement with Great Lakes Case & Cabinet Co., Inc. (GLCC) and may not be reproduced, disclosed or utilized in whole or in part without prior written authorization from GLCC.

PART NUMBER:	1
QTY PER UNIT:	1
MATERIAL TYPE:	
MATERIAL GAUGE:	
FINISH:	SEE NOTES
DRAWN:	DATE
MZ	1/11/2011
CHECKED & APP.:	DATE
WSS	1/11/2011
DWG NO.:	1013250
REV:	0
SHEET:	1 OF 1

TITLE: FOUR POST RACK

GREAT LAKES CASE & CABINET CO., INC.
 P.O. BOX 551 EDINBORO, PA 16412
 PHONE (814) 734-7303 FAX (814) 734-3907
 E-MAIL glcc@greatlakes.com

