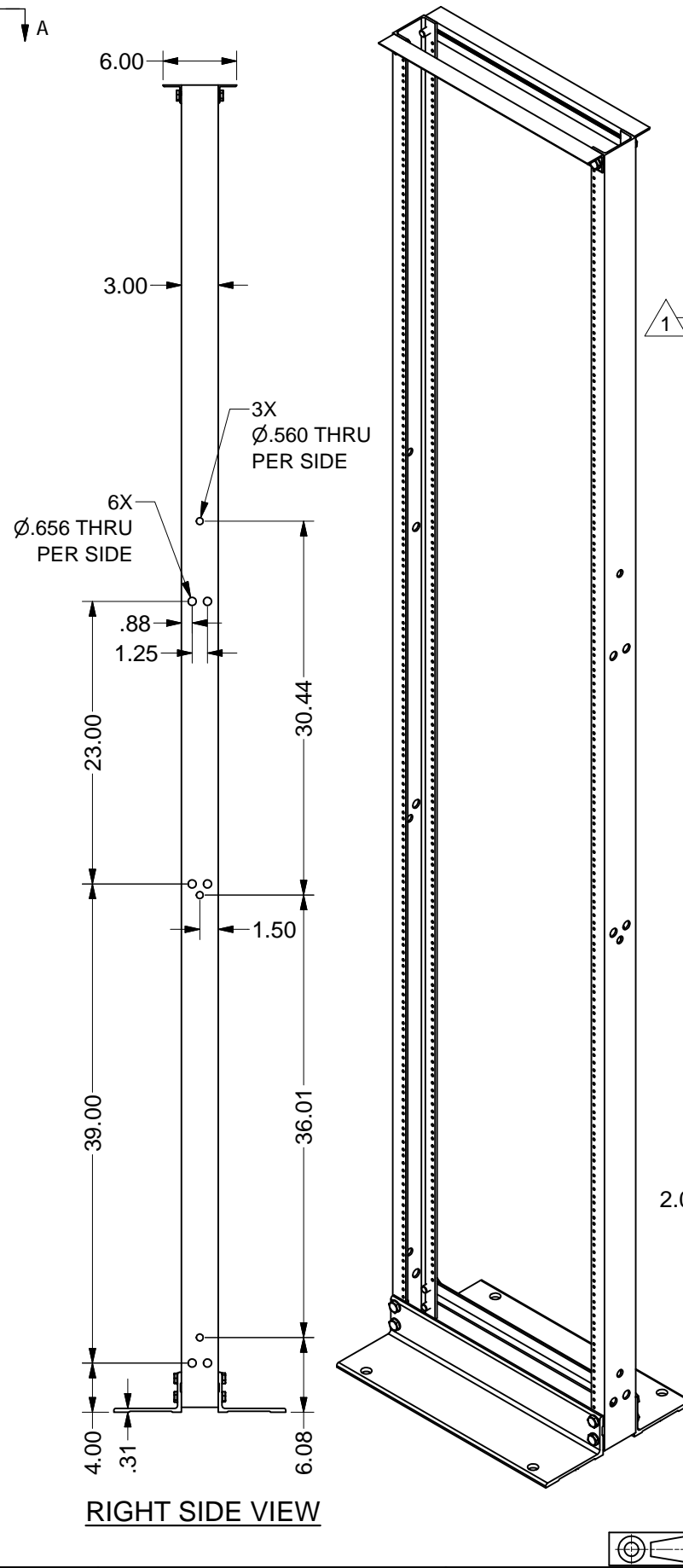
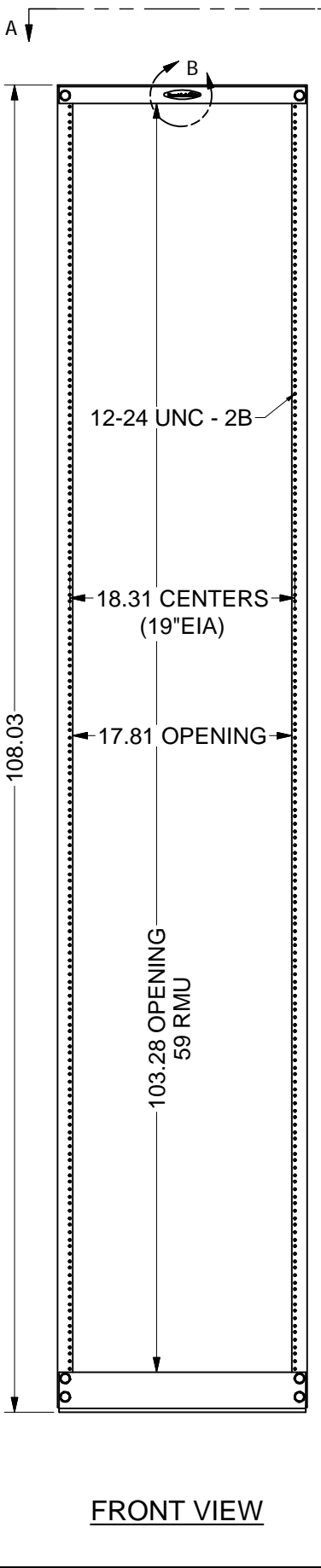
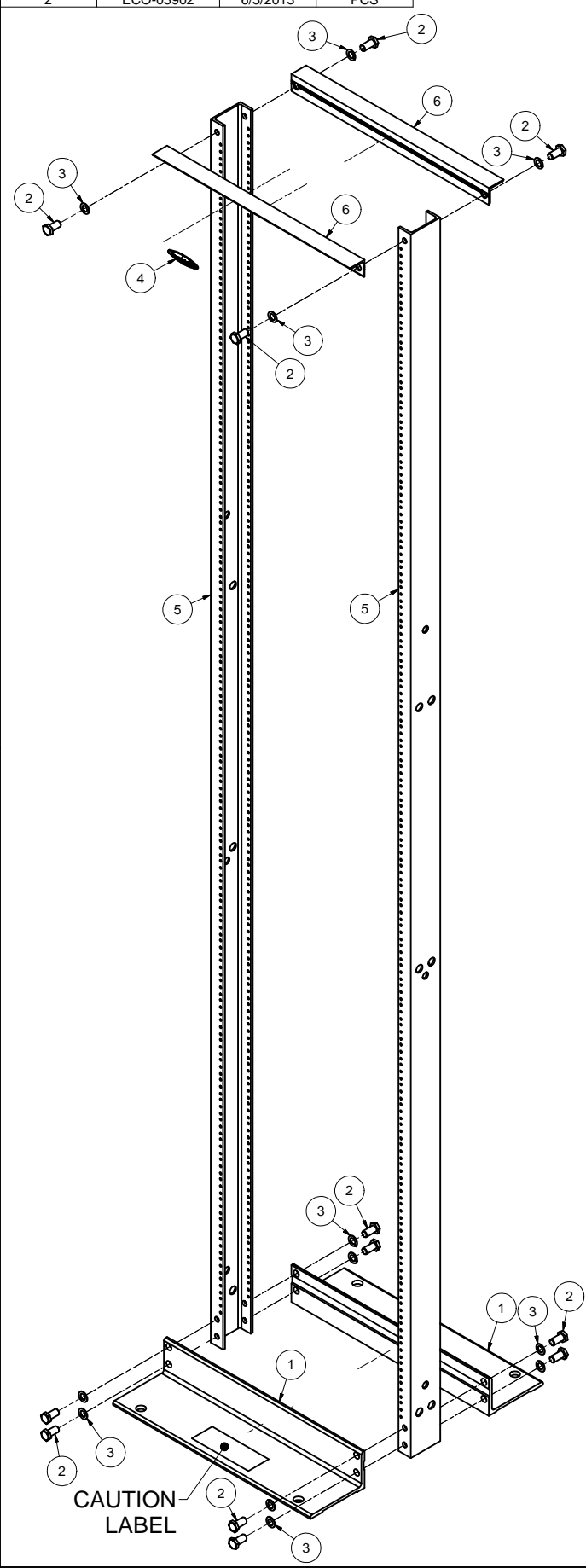


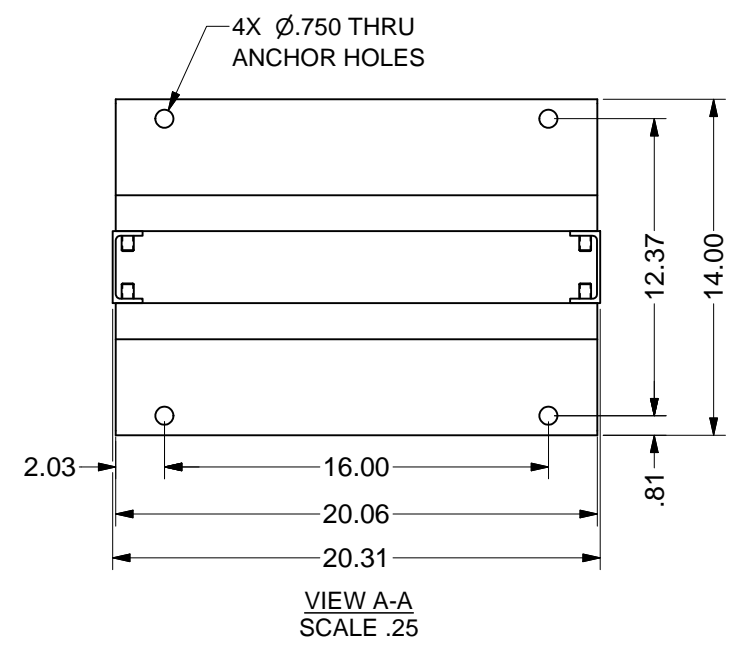
REVISION HISTORY			
REV	DESCRIPTION	DATE	APPROVED
0	ECO-02770	1/28/2010	WSS
1	ECO-03097	1/11/2011	MZ
2	ECO-03902	6/3/2013	PCS

Bill of Material					
ITEM	PART NUMBER	QTY	DESCRIPTION	FILE NAME	REVISION
1		2	BASE ANGLE FOR GLRR-1984 RELAY RACK	I002709.ipt	5
2	500-13X1HHB	12	BOLT, 1/2"-13 x 1" HEX HD	500-13X1HHB.ipt	-
3	500SPLWSHR	12	WASHER, 1/2" SPLIT LOCK, STEEL	500SPLWSHR.ipt	-
4	GL-NAMEPLATE	1	GLCC NAME PLATE, AL., 3" x .75" w/ "3MLSE9495" ADHESIVE, LaFrance Corp.	GL-NAMEPLATE.ipt	-
5		2	VERTICAL CHANNEL FOR 108"H TWO POST RACK	I011473.ipt	0
6		2	TOP ANGLE FOR GLRR-1984 RELAY RACK	I002710.ipt	7
7		1	PACKAGING MATERIAL FOR 108"H TWO POST RACK	-	-
8		1	ASSEMBLY INSTRUCTION: FORM #05-10	-	-
9	12/24X1/223SC	50	#12-24 x 1/2"L PAN HD PHIL TYPE 23 ZN PL SCREW	-	-



GLCC PART NO:	FINISH
GLRR19108BAX200	BLACK ANODIZED
GLRR19108AEX200	ACID ETCHED & ANODIZED

- SPECIAL NOTES:**
- ATTACH CAUTION LABEL ON ONE OF THE BASE ANGLES - CENTERED. THE LABEL SHOULD STATE: "CAUTION - RACK MUST BE FIRMLY ANCHORED TO FLOOR. CONCRETE FLOOR SURFACE RECOMMENDED."
 - TWO POST RACK TO BE SHIPPED UNASSEMBLED.
 - SHIPPING BOX TO CONTAIN ONE PACK OF (50) #12-24 x 1/2"L MOUNTING SCREWS AND AN ASSEMBLY INSTRUCTION.



INTERPRET DRAWING PER ASME Y14.5M-1994
DIMENSIONAL LIMITS APPLY
AFTER APPLICATION OF FINISH
DRAWING NOT TO SCALE
TOLERANCE UNLESS OTHERWISE NOTED:
ANGULAR +/- .1"
.XXXX +/- .010
.XXX +/- .015
.XX +/- .030
.X FOR REF. ONLY
UNLESS OTHERWISE SPECIFIED
ALL DIMENSIONS ARE IN INCHES

NOTICE:
Use of this document is subject to a confidentiality and nondisclosure agreement with Great Lakes Case & Cabinet Co., Inc. (GLCC) and may not be reproduced, disclosed or utilized in whole or in part without prior written authorization from GLCC.

PART NUMBER:
GLRR19108 (SEE TABLE)
QTY PER UNIT: 1
MATERIAL TYPE:
MATERIAL GAUGE:
FINISH: SEE NOTES
DRAWN: JAL
DATE: 12/9/2004
CHECKED & APP. DATE: WSS 1/28/2010

TITLE: **2 POST RACK, 108"H x 20.31"W x 14"D, WT. CAP. 1500 LBS, 59 RMU**
GREAT LAKES CASE & CABINET CO., INC.
P.O. BOX 551 EDINBORO, PA 16412
PHONE (814) 734-7303 FAX (814) 734-3907
E-MAIL glcc@greatcabinets.com
DWG NO: I011471
REV: 2
SHEET: 1 OF 1