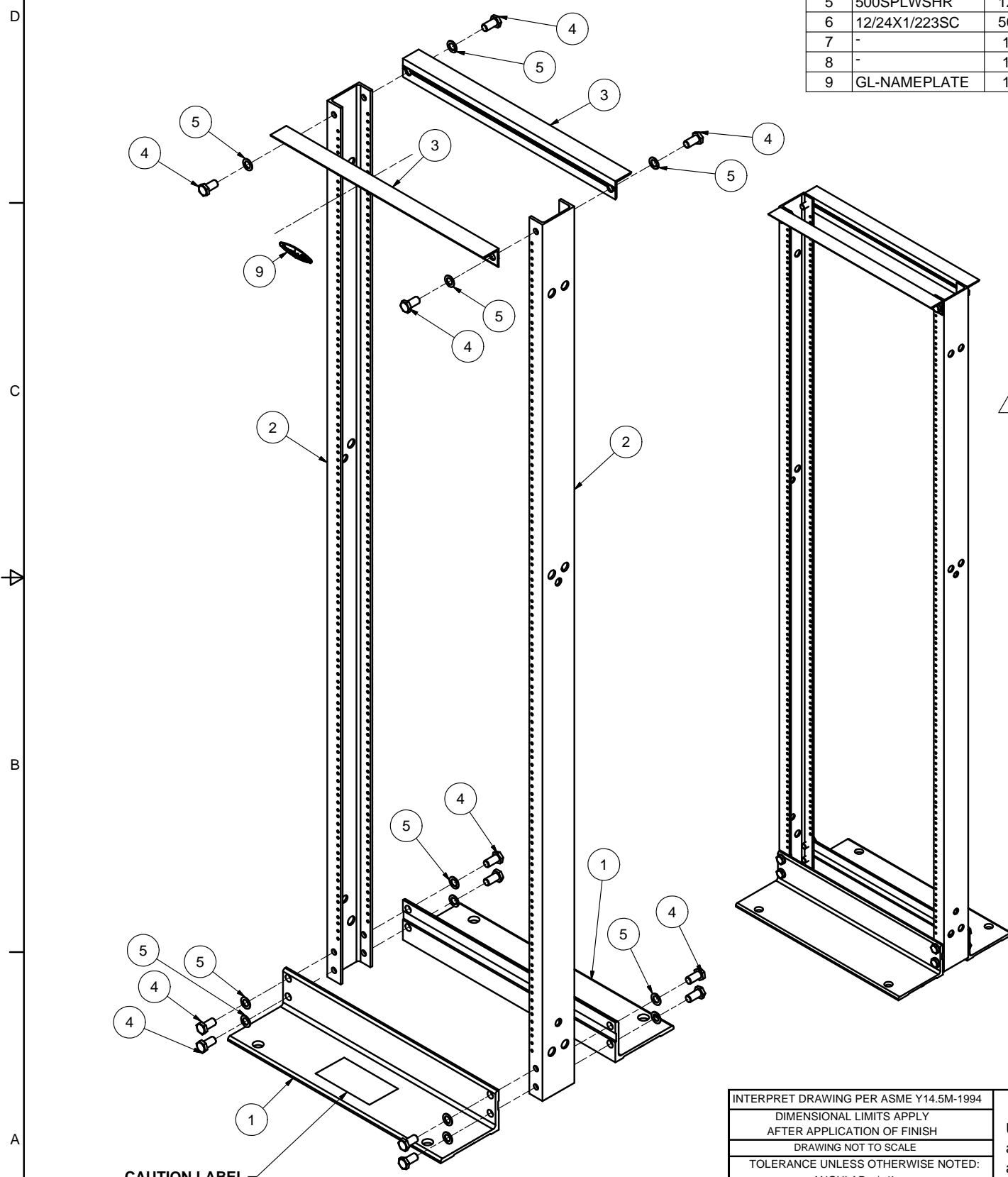


REVISION HISTORY			
REV	DESRIPTIO	DATE	APPROVED
0	ECO-02474	1/30/2009	FED
1	ECO-03097	1/11/2011	MZ
2	ECO-03902	6/3/2013	PCS

Bill of Material					
ITEM	PART NUMBER	QTY	DESCRIPTION	FILE NAME	REV
1		2	BASE ANGLE FOR GLRR-1984 RELAY RACK	I002709.ipt	5
2		2	VERTICAL CHANNEL FOR GLRR-1972 RELAY RACK	I007864.ipt	0
3		2	TOP ANGLE FOR GLRR-1984 RELAY RACK	I002710.ipt	7
4	500-13X1HHB	12	BOLT, 1/2"-13 x 1" HEX HD	500-13X1HHB.ipt	-
5	500SPLWSHR	12	WASHER, 1/2" SPLIT LOCK, STEEL	500SPLWSHR.ipt	-
6	12/24X1/223SC	50	#12-24x1/2"L PAN HD PHIL TYPE 23 ZN PL SCREW	-	-
7	-	1	PACKAGING MATERIAL	-	-
8	-	1	ASSEMBLY INSTRUCTION: FORM #05-10	IC000008	6
9	GL-NAMEPLATE	1	GLCC NAME PLATE, AL., 3" x .75" w/ "3MLSE9495" ADHESIVE, LaFrance Corp.	GL-NAMEPLATE.ipt	-



GLCC PART NO.	FINISH
GLRR1972BAX200	BLACK ANODIZED
GLRR1972AEX200	ACID ETCHED

**SPECIAL NOTES:**

- ATTACH CAUTION LABEL ON ONE OF THE BASE ANGLES - CENTERED. THE LABEL SHOULD STATE: "CAUTION - Rack must be firmly anchored to floor. Concrete floor surface recommended."
- RELAY RACK TO BE SHIPPED UNASSEMBLED.
- SHIPPING BOX TO CONTAIN ONE BAG OF (50) #12-24 MOUNTING SCREWS AND AN ASSEMBLY INSTRUCTION SHEET.

CAUTION LABEL  
SEE NOTE 1

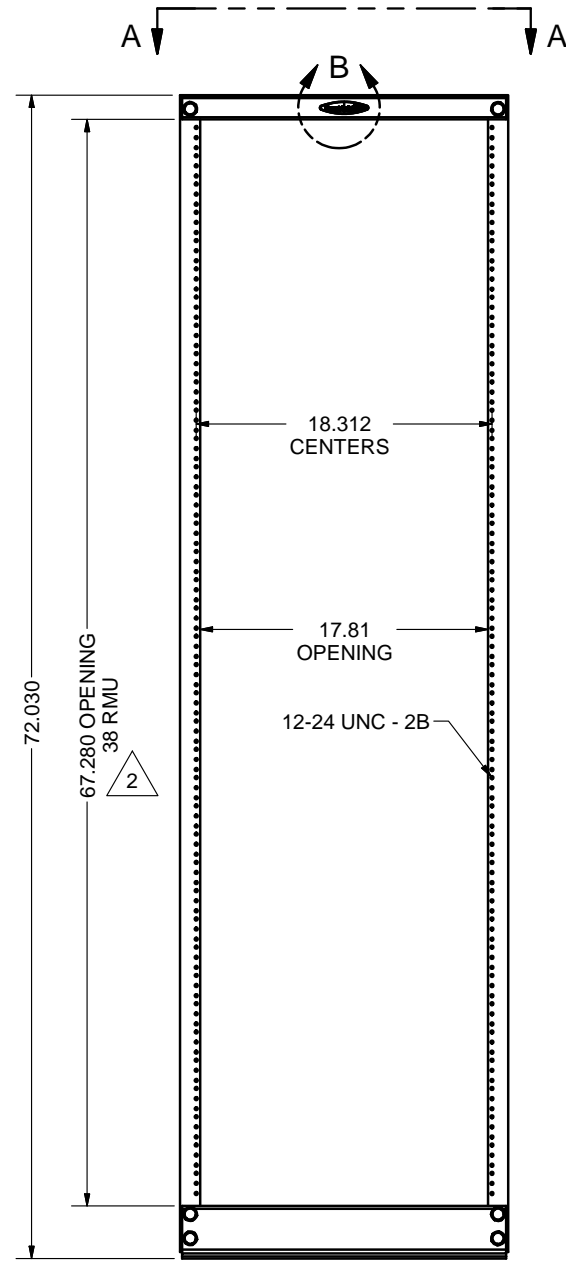
INTERPRET DRAWING PER ASME Y14.5M-1994
DIMENSIONAL LIMITS APPLY AFTER APPLICATION OF FINISH
DRAWING NOT TO SCALE
TOLERANCE UNLESS OTHERWISE NOTED:
ANGULAR +/- 1°
.XXXX +/- .010
.XXX +/- .015
.XX +/- .030
.X FOR REF. ONLY
UNLESS OTHERWISE SPECIFIED ALL DIMENSIONS ARE IN INCHES

**NOTICE:**  
Use of this document is subject to a confidentiality and nondisclosure agreement with Great Lakes Case & Cabinet Co., Inc. (GLCC) and may not be reproduced, disclosed or utilized in whole or in part without prior written authorization from GLCC.

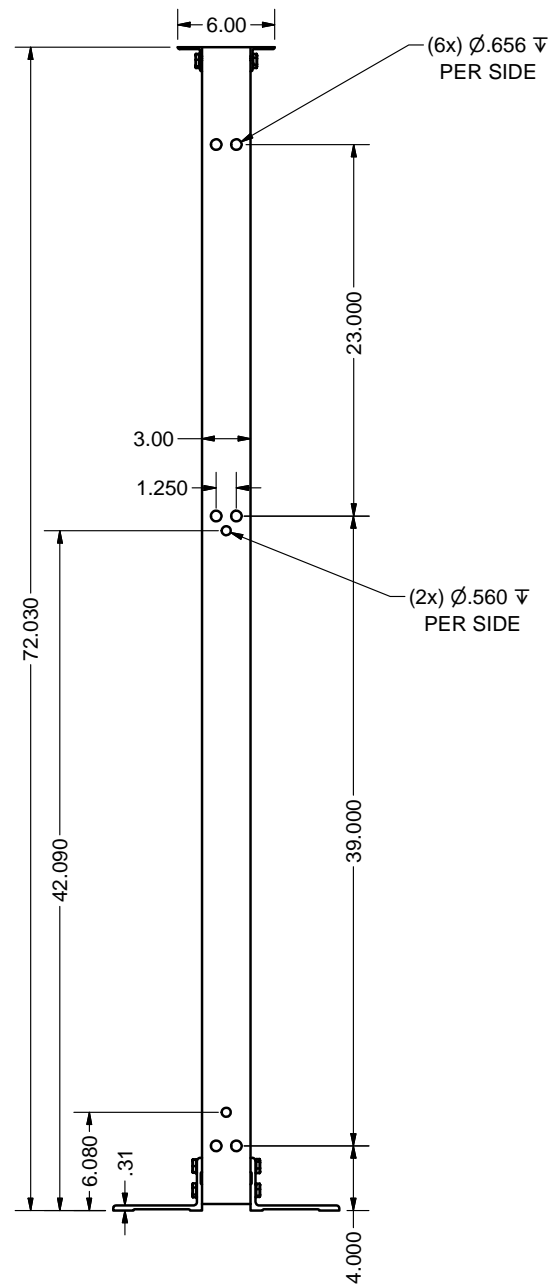
PART NUMBER: <b>GLRR1972 (SEE TABLE)</b>
QTY PER UNIT: 1
MATERIAL TYPE: -
MATERIAL GAUGE: -
FINISH: SEE NOTES
DRAWN: FED DATE: 1/30/2009
CHECKED & APP. DATE: 1/30/09
WSS

TITLE: <b>2 POST RACK, 72"H x 20.31"W x 14"D, WT. CAP. 1500 LBS, 38 RMU</b>	
GREAT LAKES CASE & CABINET CO., INC. P.O. BOX 551 EDINBORO, PA 16412 PHONE (814) 734-7303 FAX (814) 734-3907 E-MAIL glcc@greatcabinets.com	
DWG NO: <b>I007863</b>	REV: <b>2</b>
SHEET: 1 OF 2	

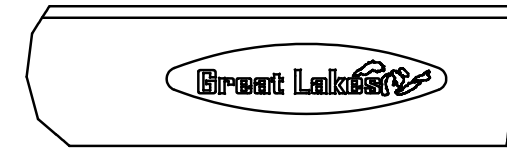




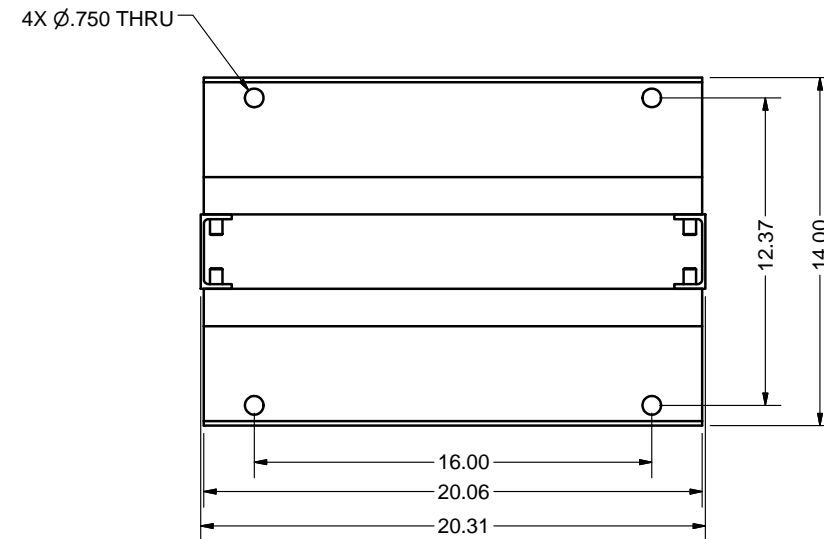
FRONT VIEW



RIGHT SIDE



**DETAIL B**  
 INSTALL ITEM #9 AS SHOWN - ONE LABEL  
 ON ONE OF TOP ANGLES - CENTERED



VIEW A-A

INTERPRET DRAWING PER ASME Y14.5M-1994  
 DIMENSIONAL LIMITS APPLY  
 AFTER APPLICATION OF FINISH  
 DRAWING NOT TO SCALE  
 TOLERANCE UNLESS OTHERWISE NOTED:  
 ANGULAR +/- 1°  
 .XXXX +/- .010  
 .XXX +/- .015  
 .XX +/- .030  
 .X FOR REF. ONLY

**NOTICE:**  
 Use of this document is subject to a confidentiality and nondisclosure agreement with Great Lakes Case & Cabinet Co., Inc. (GLCC) and may not be reproduced, disclosed or utilized in whole or in part without prior written authorization from GLCC.

PART NUMBER:  
**GLRR1972 (SEE TABLE)**  
 QTY PER UNIT: 1  
 MATERIAL TYPE:  
 MATERIAL GAUGE:  
 FINISH: SEE NOTES  
 DRAWN DATE  
 FED 1/30/2009  
 CHECKED & APP. DATE  
 WSS 1/30/09

TITLE  
**2 POST RACK, 72"H x 20.31"W x 14"D, WT. CAP. 1500 LBS, 38 RMU**  
**GREAT LAKES CASE & CABINET CO., INC.**  
 P.O. BOX 551 EDINBORO, PA 16412  
 PHONE (814) 734-7303 FAX (814) 734-3907  
 E-MAIL glcc@greatcabinets.com

DWG NO: **I007863** REV: **2** SHEET: 2 OF 2



THIRD ANGLE  
 PROJECTION

UNLESS OTHERWISE SPECIFIED  
 ALL DIMENSIONS ARE IN INCHES