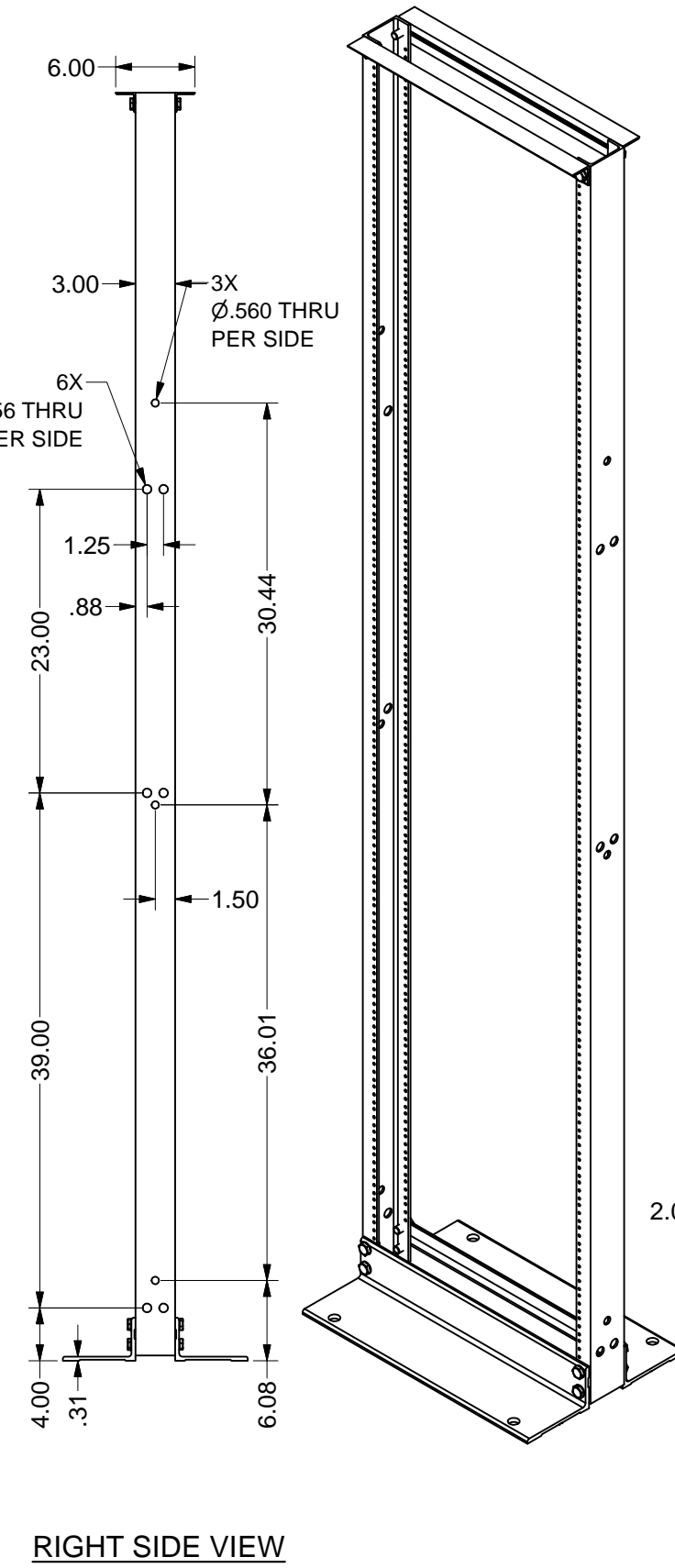
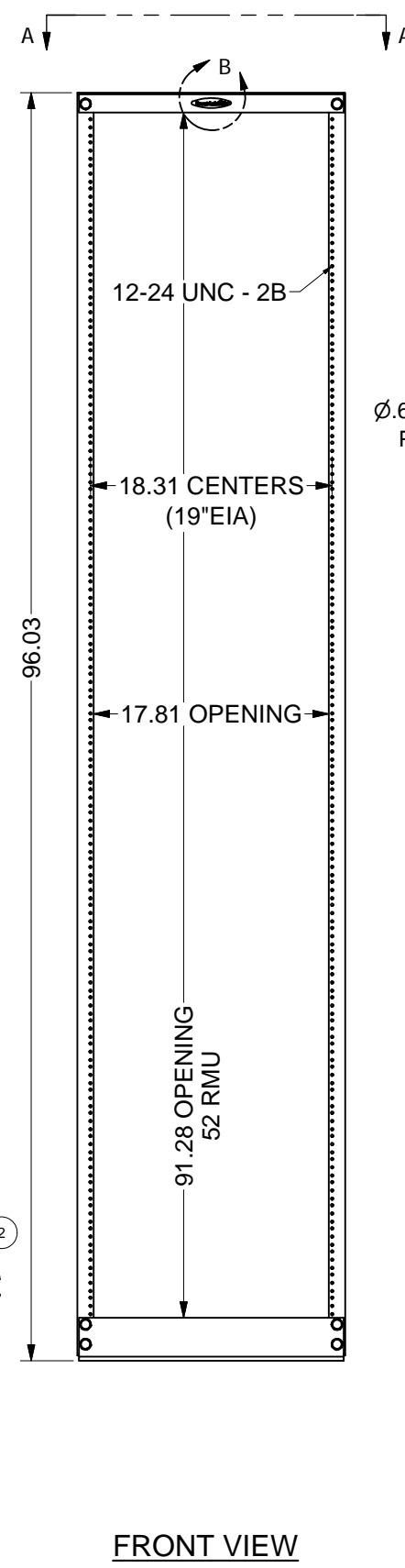
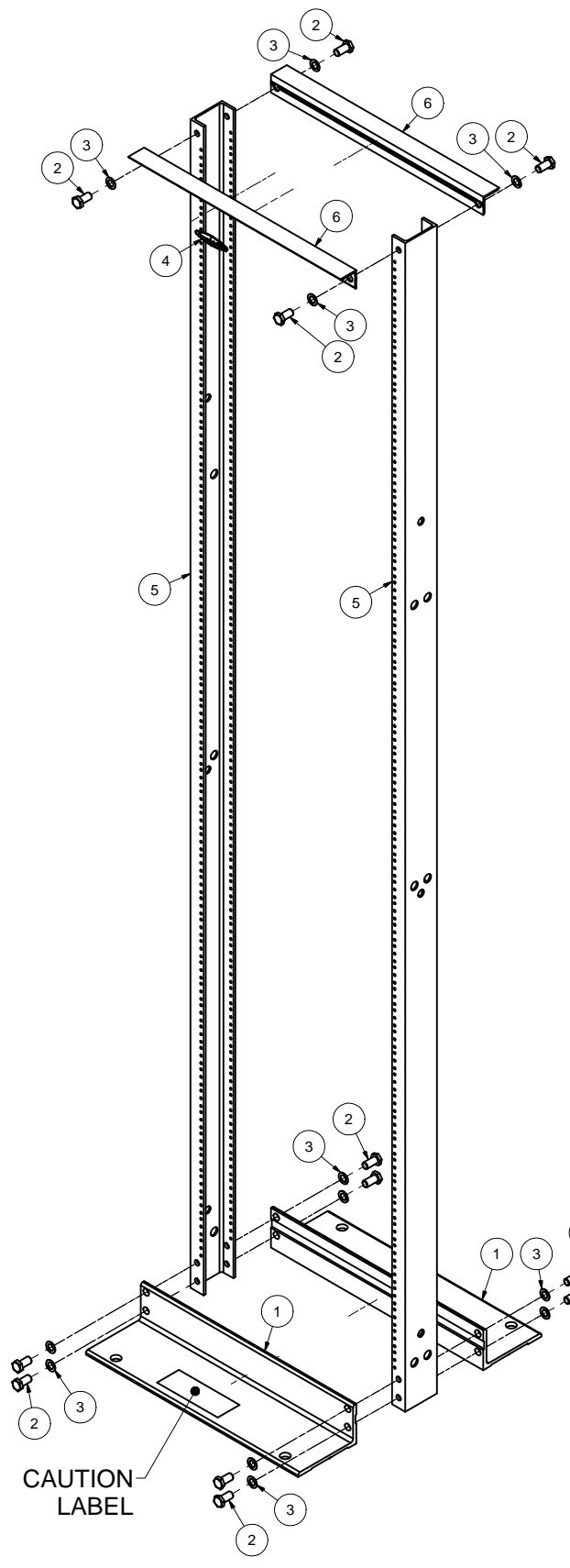


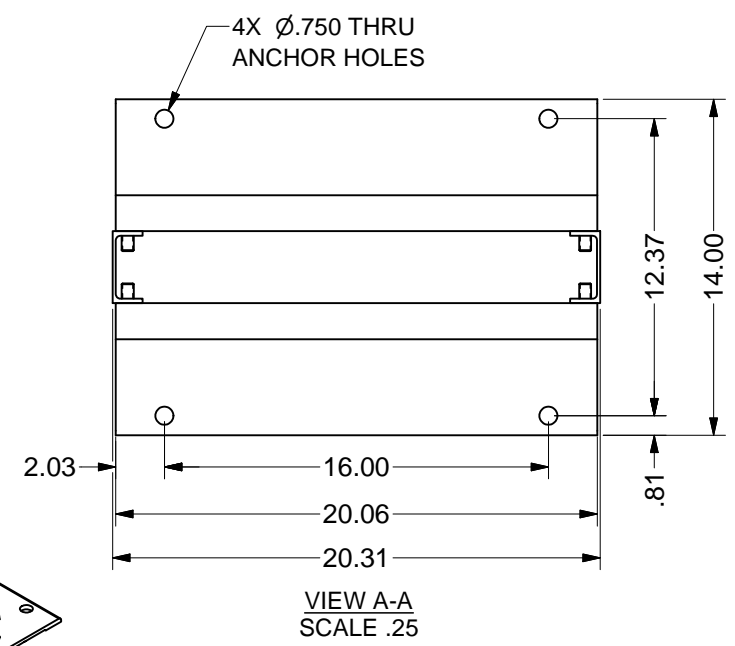
REVISION HISTORY			
REV	DESCRIPTION	DATE	APPROVED
0	ECO-03097	1/11/2011	MZ
1	ECO-03902	6/3/2013	PCS

Bill of Material						
ITEM	PART NUMBER	STOCK NUMBER	QTY	DESCRIPTION	FILE NAME	REVISION
1			2	BASE ANGLE FOR GLRR-1984 RELAY RACK	I002709.ipt	5
2	500-13X1HHB		12	BOLT, 1/2"-13 x 1" HEX HD	500-13X1HHB.ipt	-
3	500SPLWSHR		12	WASHER, 1/2" SPLIT LOCK, STEEL	500SPLWSHR.ipt	-
4	GL-NAMEPLATE		1	GLCC NAME PLATE, AL., 3" x .75" w/ "3MLSE9495" ADHESIVE, LaFrance Corp.	GL-NAMEPLATE.ipt	-
5			2	VERTICAL CHANNEL FOR 96"H TWO POST RACK	I013259.ipt	0
6			2	TOP ANGLE FOR GLRR-1984 RELAY RACK	I002710.ipt	7
7			1	PACKAGING MATERIAL FOR 108"H TWO POST RACK	-	-
8			1	ASSEMBLY INSTRUCTION: FORM #05-10	-	-
9	12/24X1/223SC		50	#12-24 x 1/2"L PAN HD PHIL TYPE 23 ZN PL SCREW	-	-



GLCC PART NO:	FINISH
GLRR1996BAX200	BLACK ANODIZED
GLRR1996AEX200	ACID ETCHED & ANODIZED

- SPECIAL NOTES:**
- ATTACH CAUTION LABEL ON ONE OF THE BASE ANGLES - CENTERED. THE LABEL SHOULD STATE: "CAUTION - RACK MUST BE FIRMLY ANCHORED TO FLOOR. CONCRETE FLOOR SURFACE RECOMMENDED."
 - TWO POST RACK TO BE SHIPPED UNASSEMBLED.
 - SHIPPING BOX TO CONTAIN ONE PACK OF (50) #12-24 x 1/2"L MOUNTING SCREWS AND AN ASSEMBLY INSTRUCTION.



INTERPRET DRAWING PER ASME Y14.5M-1994 DIMENSIONAL LIMITS APPLY AFTER APPLICATION OF FINISH DRAWING NOT TO SCALE TOLERANCE UNLESS OTHERWISE NOTED: ANGULAR +/- .1" .XXXX +/- .010 .XXX +/- .015 .XX +/- .030 .X FOR REF. ONLY UNLESS OTHERWISE SPECIFIED ALL DIMENSIONS ARE IN INCHES	NOTICE: Use of this document is subject to a confidentiality and nondisclosure agreement with Great Lakes Case & Cabinet Co., Inc. (GLCC) and may not be reproduced, disclosed or utilized in whole or in part without prior written authorization from GLCC.	PART NUMBER: SEE NOTES	TITLE 2 POST RACK, 96"H x 20.31"W x 14"D, WT. CAP. 1500 LBS, 52RMU
		QTY PER UNIT: 1	
		MATERIAL TYPE: - MATERIAL GAUGE: - FINISH: SEE NOTES	
		DRAWN DATE MZ 1/11/2011 CHECKED & APP. DATE WSS 1/11/2011	
DWG NO: I013258		REV 1	SHEET: 1 OF 1

1