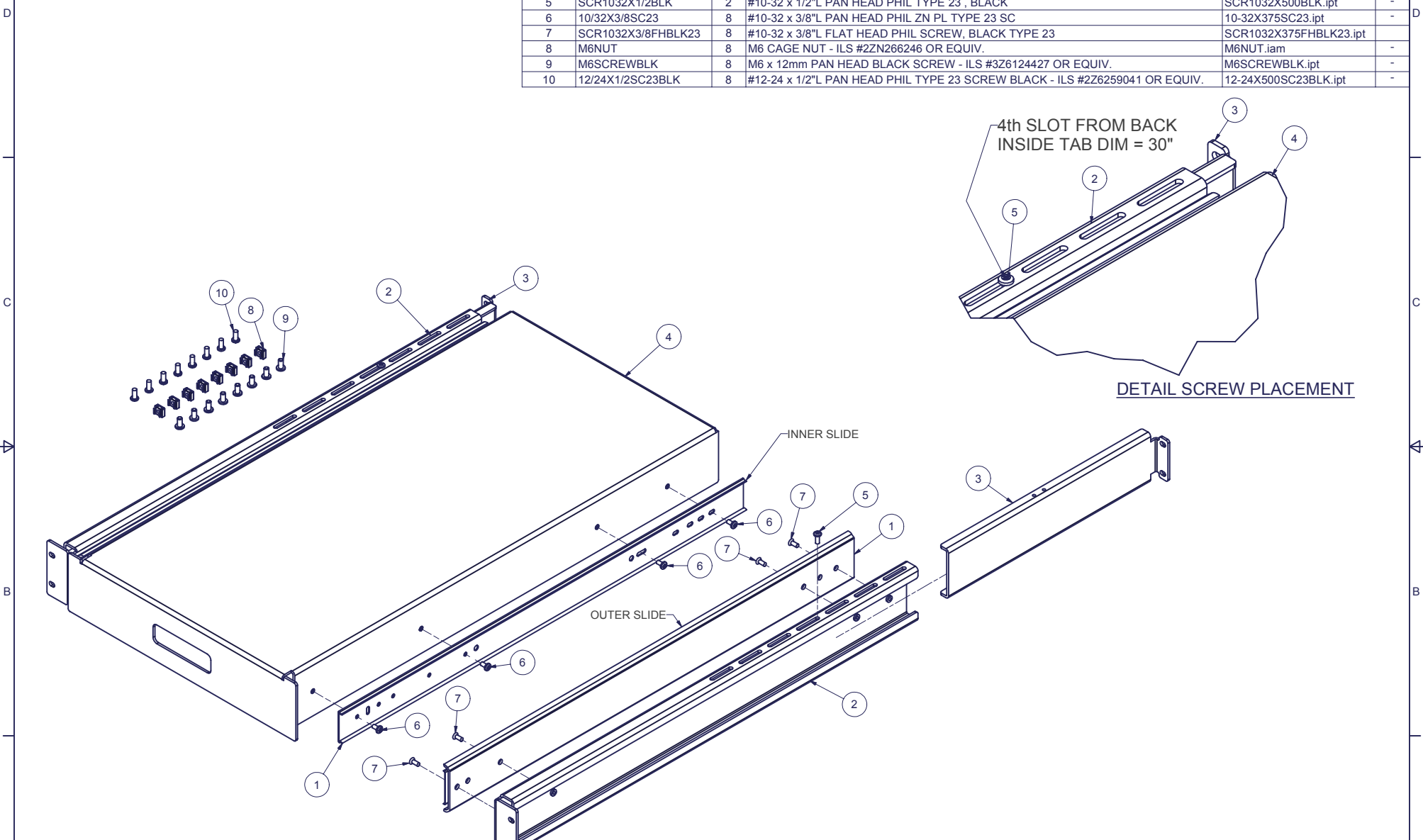


REVISION HISTORY			
REV	DESCRIPTION	DATE	APPROVED
0	ECO-01569	5/17/2005	JL

Bill of Material					
ITEM	PART NUMBER	QTY	DESCRIPTION	FILE NAME	REV
1	CX71352800	2	COMPX PRECISION SLIDE - 28"L - 400# CAPACITY	CX71352800.iam	-
2		2	FIXED SHELF MOUNTING BRACKET	I002785.iam	1
3		2	ADJUSTABLE SHELF MOUNTING BRACKET	I002784.ipt	1
4		1	HEAVY DUTY SLIDING SHELF TRAY - 3.469"H x 17.188"W x 30"D	I002783.iam	1
5	SCR1032X1/2BLK	2	#10-32 x 1/2"L PAN HEAD PHIL TYPE 23 , BLACK	SCR1032X500BLK.ipt	-
6	10/32X3/8SC23	8	#10-32 x 3/8"L PAN HEAD PHIL ZN PL TYPE 23 SC	10-32X375SC23.ipt	-
7	SCR1032X3/8FHBLK23	8	#10-32 x 3/8"L FLAT HEAD PHIL SCREW, BLACK TYPE 23	SCR1032X375FHBLK23.ipt	-
8	M6NUT	8	M6 CAGE NUT - ILS #2ZN266246 OR EQUIV.	M6NUT.iam	-
9	M6SCREWBLK	8	M6 x 12mm PAN HEAD BLACK SCREW - ILS #3Z6124427 OR EQUIV.	M6SCREWBLK.ipt	-
10	12/24X1/2SC23BLK	8	#12-24 x 1/2"L PAN HEAD PHIL TYPE 23 SCREW BLACK - ILS #2Z6259041 OR EQUIV.	12-24X500SC23BLK.ipt	-



INTERPRET DRAWING PER ASME Y14.5M-1994
 DIMENSIONAL LIMITS APPLY
 AFTER APPLICATION OF FINISH
 DRAWING NOT TO SCALE
 TOLERANCE UNLESS OTHERWISE NOTED:
 ANGULAR +/- 1°
 .XXXX +/- .010
 .XXX +/- .015
 .XX +/- .030
 X FOR REF. ONLY

NOTICE:
 Use of this document is subject to a confidentiality and nondisclosure agreement with Great Lakes Case & Cabinet Co., Inc. (GLCC) and may not be reproduced, disclosed or utilized in whole or in part without prior written authorization from GLCC.

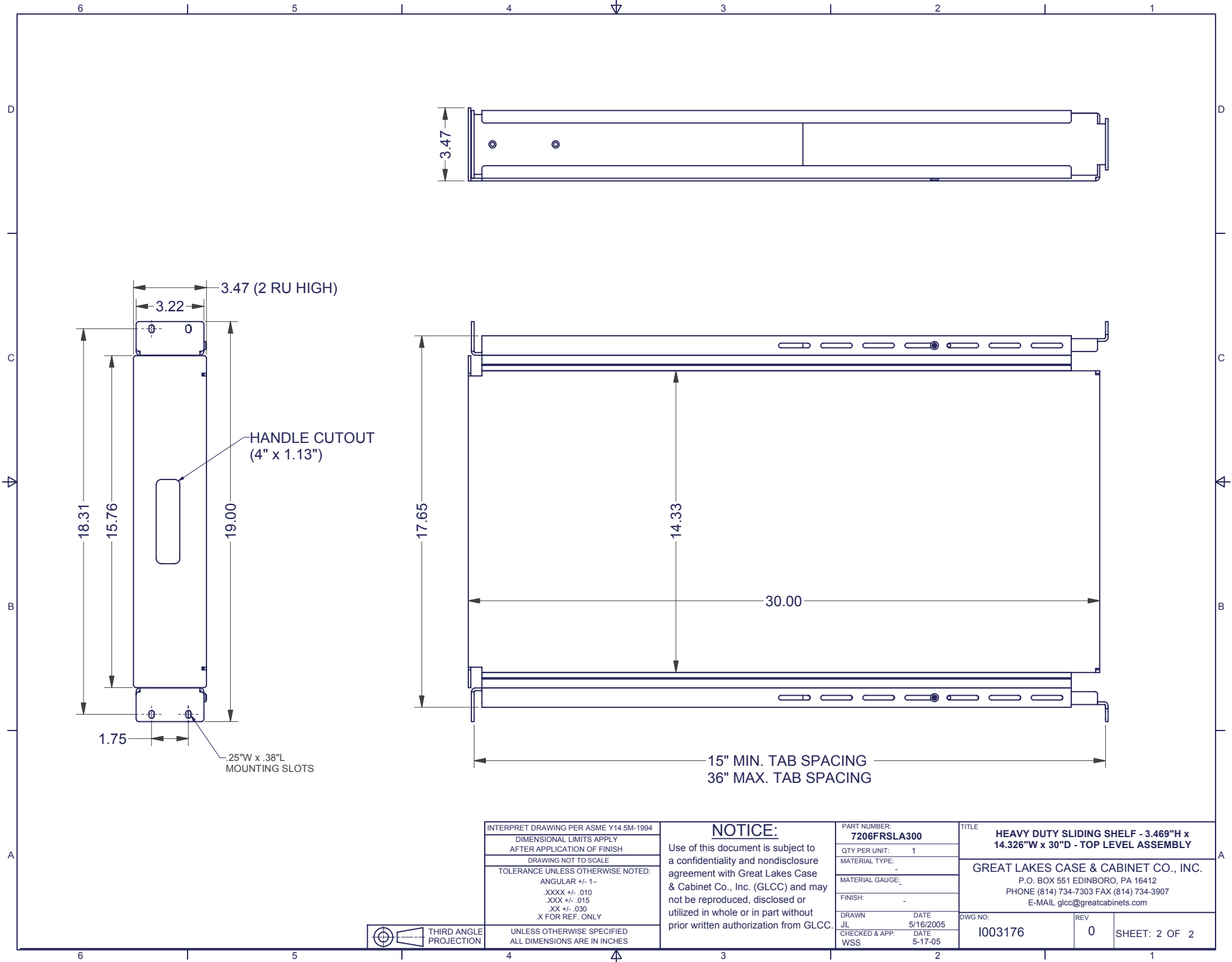
PART NUMBER:
7206FRSLA300
 QTY PER UNIT: 1
 MATERIAL TYPE:
 -
 MATERIAL GAUGE:
#16 GA
 FINISH:
 -
 DRAWN: JL DATE: 5/16/2005
 CHECKED & APP. WSS DATE: 5-17-05

TITLE
HEAVY DUTY SLIDING SHELF - 3.469"H x 14.326"W x 30"D - TOP LEVEL ASSEMBLY
 GREAT LAKES CASE & CABINET CO., INC.
 P.O. BOX 551 EDINBORO, PA 16412
 PHONE (814) 734-7303 FAX (814) 734-3907
 E-MAIL glcc@greatcabinets.com



UNLESS OTHERWISE SPECIFIED
 ALL DIMENSIONS ARE IN INCHES

DWG NO: **1003176** REV: **0** SHEET: 1 OF 2



INTERPRET DRAWING PER ASME Y14.5M-1994
 DIMENSIONAL LIMITS APPLY
 AFTER APPLICATION OF FINISH
 DRAWING NOT TO SCALE
 TOLERANCE UNLESS OTHERWISE NOTED:
 ANGULAR +/- 1°
 .XXXX +/- .010
 .XXX +/- .015
 .XX +/- .030
 X FOR REF. ONLY

NOTICE:
 Use of this document is subject to a confidentiality and nondisclosure agreement with Great Lakes Case & Cabinet Co., Inc. (GLCC) and may not be reproduced, disclosed or utilized in whole or in part without prior written authorization from GLCC.

PART NUMBER:
7206FRSLA300
 QTY PER UNIT: 1
 MATERIAL TYPE: -
 MATERIAL GAUGE: -
 FINISH: -
 DRAWN: JL DATE: 5/16/2005
 CHECKED & APP. DATE: WSS 5-17-05

TITLE
HEAVY DUTY SLIDING SHELF - 3.469\"/>

GREAT LAKES CASE & CABINET CO., INC.
 P.O. BOX 551 EDINBORO, PA 16412
 PHONE (814) 734-7303 FAX (814) 734-3907
 E-MAIL glcc@greatcabinets.com

DWG NO:
1003176

REV
0

SHEET: 2 OF 2



THIRD ANGLE PROJECTION
 UNLESS OTHERWISE SPECIFIED
 ALL DIMENSIONS ARE IN INCHES