

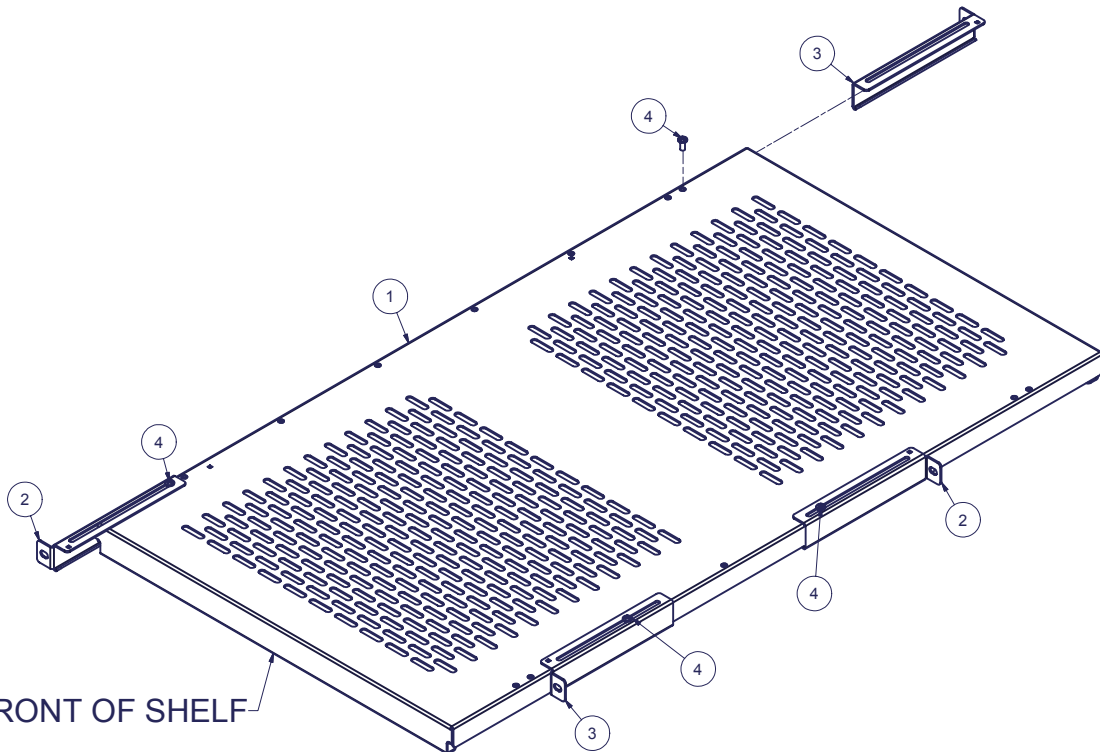
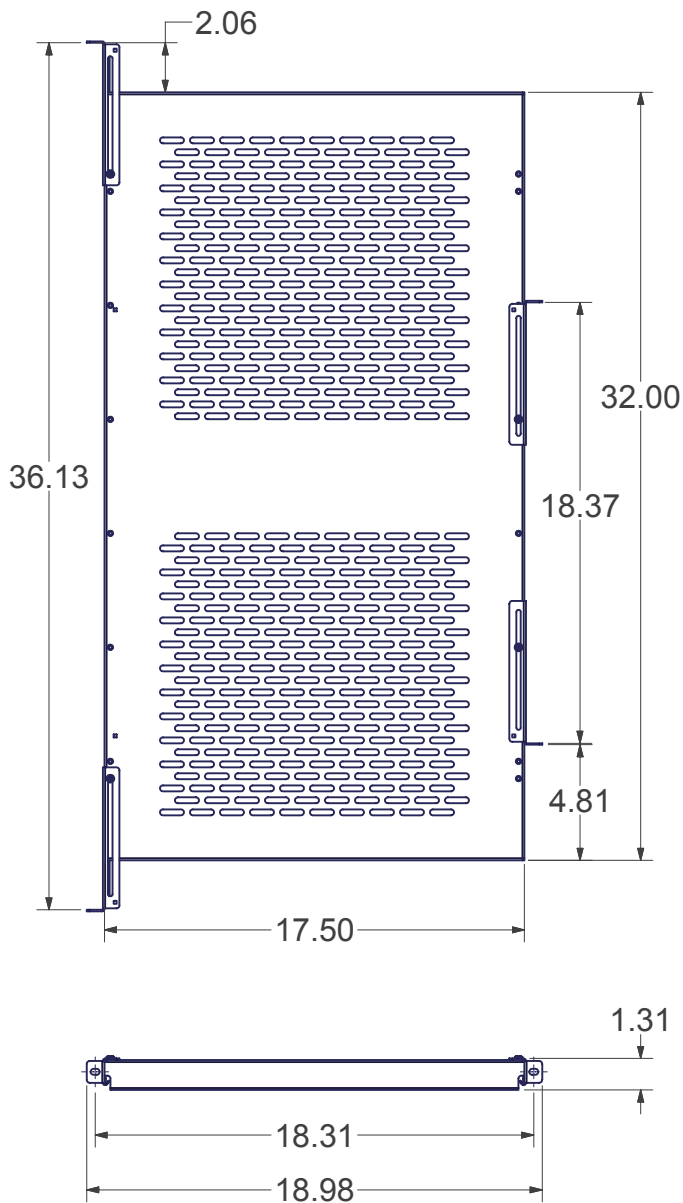
REVISION HISTORY			
REV	DESCRIPTION	DATE	APPROVED
2	ECO-01331	11/18/2003	WSS
3	ECO-01588	6/14/2005	JL
4	ECO-2301	6/17/08	WSS
5	ECO-02358	8/19/2008	FED
6	ECO-02633	8/19/2009	FED

6 5

Bill of Material					
ITEM	PART NUMBER	QTY	DESCRIPTION	FILE NAME	REVISION
1	-	1	19" EIA, 32"DEEP, ADJUSTABLE SHELF	1000874.iam	5
2		2	TAB, LEFT HAND FOR MOUNTING STATIONARY ADJUSTABLE SHELVES	1000882.ipt	1
3		2	TAB, RIGHT HAND FOR MOUNTING STATIONARY ADJUSTABLE SHELVES	1000883.ipt	1
4	H01-047	4	SCREW, 8-32x3/8" Ph PAN TYPE 23 BLACK OXIDE/WAX RoHS	SCR832X375BLK.ipt	-

**SPECIAL NOTES:**

- 1) ASSEMBLE ITEMS #2, & #3 WITH #1 USING THE SQUARE ALIGNMENT HOLES FOR STANDARD GREAT LAKES TAB PLACEMENT (18.375").
- 2) SHELF DATA:
  - A) SHELF DIMENSIONS: 17.50"W x 32"D x 1.25"H
  - B) RACK MOUNTING: 19" EIA
  - C) WEIGHT CAPACITY: 300 LBS.
  - D) STANDARD TAB PLACEMENT: 18.38"
  - E) MAXIMUM TAB PLACEMENT : 36.00"



INTERPRET DRAWING PER ASME Y14.5M-1994 DIMENSIONAL LIMITS APPLY AFTER APPLICATION OF FINISH DRAWING NOT TO SCALE TOLERANCE UNLESS OTHERWISE NOTED: ANGULAR +/- 1- .XXXX +/- .010 .XXX +/- .015 .XX +/- .030 .X FOR REF. ONLY UNLESS OTHERWISE SPECIFIED ALL DIMENSIONS ARE IN INCHES
---

**NOTICE:**  
 Use of this document is subject to a confidentiality and nondisclosure agreement with Great Lakes Case & Cabinet Co., Inc. (GLCC) and may not be reproduced, disclosed or utilized in whole or in part without prior written authorization from GLCC.

PART NUMBER: 7206FRA32HD
QTY PER UNIT: 1
MATERIAL TYPE: N/A
MATERIAL GAUGE: #16 GA
FINISH: N/A
DRAWN CA 10/14/02
CHECKED -

TITLE <b>19" EIA ADJ. 32" DEEP SHELF ASSEMBLY HEAVY DUTY (275 LB CAP.)</b>		
GREAT LAKES CASE & CABINET CO., INC. P.O. BOX 551 EDINBORO, PA 16412 PHONE (814) 734-7303 FAX (814) 734-3907 E-MAIL glcc@greatcabinets.com		
DWG NO: 1000873	REV 6	SHEET 1 OF 1