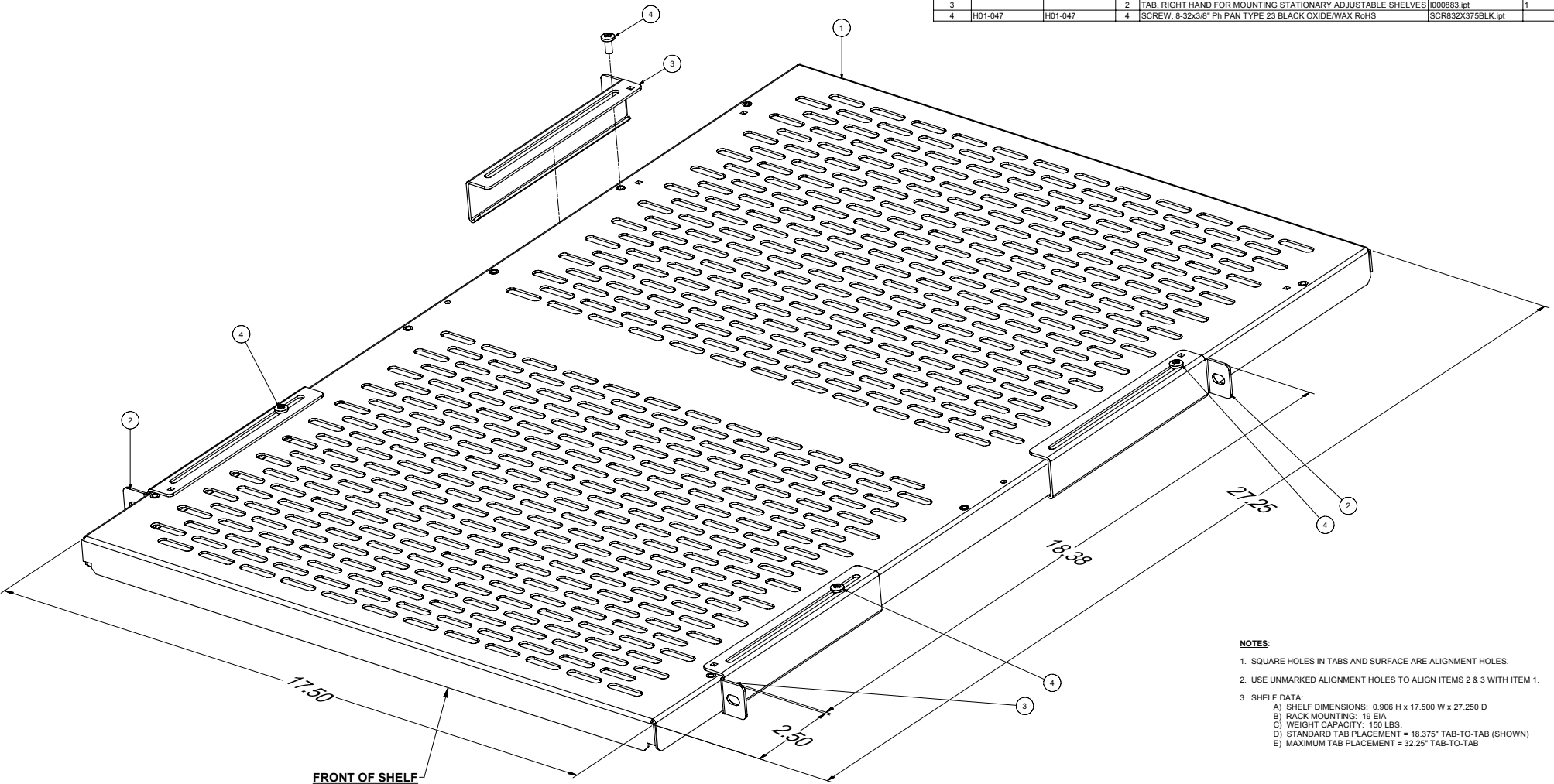


REVISION HISTORY			
REV	DESCRIPTION	DATE	APPROVED
5	ECC-02358	8/25/2008	WSS

Bill of Material						
ITEM	PART NUMBER	STOCK NUMBER	QTY	DESCRIPTION	FILE NAME	REVISION
1	I007363		1	SHELF WELDMENT, 17.5 W x 27.25 D	I007363.iam	2
2			2	TAB, LEFT HAND FOR MOUNTING STATIONARY ADJUSTABLE SHELVES	I000882.ipt	1
3			2	TAB, RIGHT HAND FOR MOUNTING STATIONARY ADJUSTABLE SHELVES	I000883.ipt	1
4	H01-047	H01-047	4	SCREW, 8-32x3/8" Ph PAN TYPE 23 BLACK OXIDE/MAX RoHS	SCR832X375BLK.ipt	1



- NOTES:**
- SQUARE HOLES IN TABS AND SURFACE ARE ALIGNMENT HOLES.
 - USE UNMARKED ALIGNMENT HOLES TO ALIGN ITEMS 2 & 3 WITH ITEM 1.
 - SHELF DATA:
 - A) SHELF DIMENSIONS: 0.906 H x 17.500 W x 27.250 D
 - B) RACK MOUNTING: 19 EIA
 - C) WEIGHT CAPACITY: 150 LBS.
 - D) STANDARD TAB PLACEMENT = 18.375" TAB-TO-TAB (SHOWN)
 - E) MAXIMUM TAB PLACEMENT = 32.25" TAB-TO-TAB

SCALE: N/A



INTERPRET DRAWING PER ASME Y14.5M-1994
DIMENSIONAL LIMITS APPLY AFTER APPLICATION OF FINISH
DRAWING NOT TO SCALE
TOLERANCE UNLESS OTHERWISE NOTED:
ANGULAR +/- 1°
XXX +/- .010
XXX +/- .015
XXX +/- .030
X FOR REF. ONLY
UNLESS OTHERWISE SPECIFIED ALL DIMENSIONS ARE IN INCHES

NOTICE:
 Use of this document is subject to a confidentiality and nondisclosure agreement with Great Lakes Case & Cabinet Co., Inc. (GLCC) and may not be reproduced, disclosed or utilized in whole or in part without prior written authorization from GLCC.

PART NUMBER: 7206FRADHD	TITLE: SHELF ASSEMBLY, 17.5 W x 27.25 D
QTY PER UNIT: 1	MATERIAL TYPE: CRS
MATERIAL GAUGE: #16 GA.	FINISH:
DRAWN: Ffrnhd	DATE: 8/21/2008
CHECKED & APP. DATE	DWG NO: I007362
	REV: 5
	SHEET: 1 OF 1

GREAT LAKES CASE & CABINET CO., INC.
 P.O. BOX 551 EDINBORO, PA 16412
 PHONE: (814) 734-7303 FAX: (814) 734-3907
 E-MAIL: glcc@greatlakescabinets.com