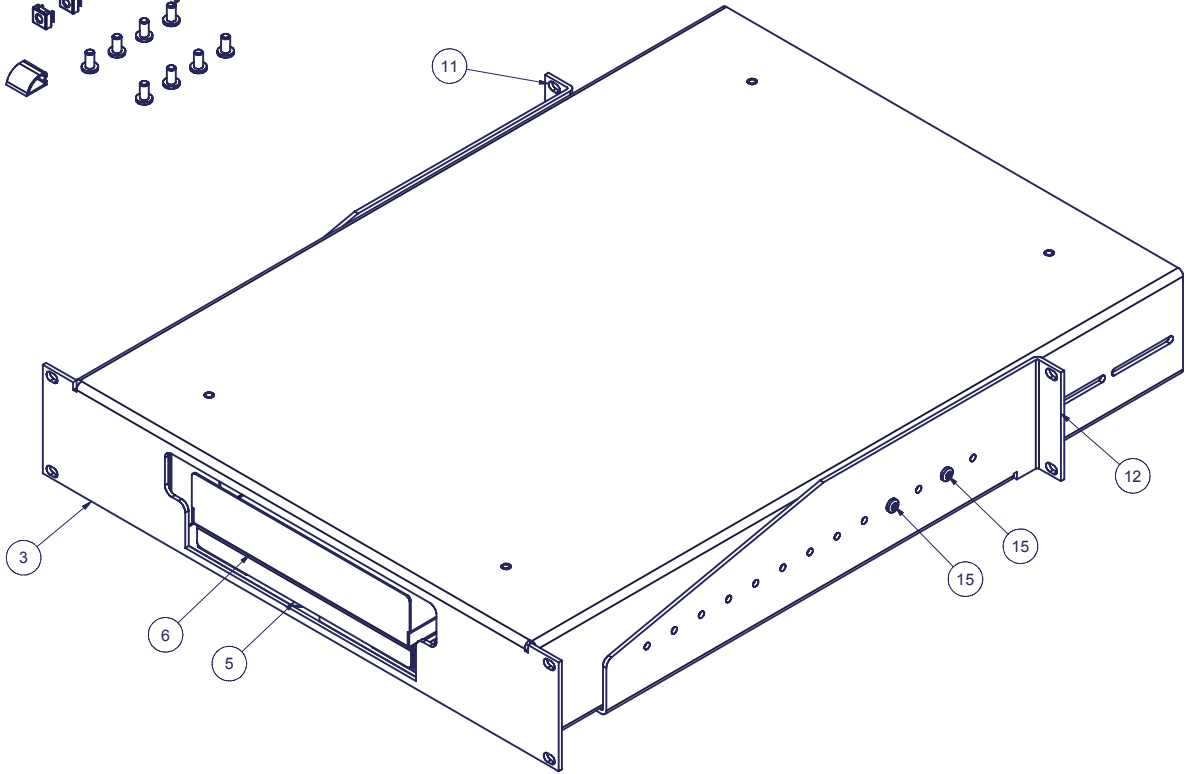
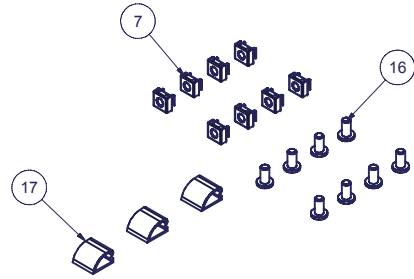


REVISION HISTORY			
REV	DESCRIPTION	DATE	APPROVED
0	ECO-01569	5/17/2005	JL
2	ECO-01669	12/9/2005	JL
2	ECO-01990	7/9/2007	WSS

ITEM		PART NUMBER	QTY	DESCRIPTION	FILE NAME	REV
1			1	KB / MOUSE TRAY SUPPORT BRACKET	1002620.iam	1
2		4632-22 Slide	2		4632-22 Slide.iam	
3			1	MONITOR, KB, MOUSE SHELF ALUMINUM DRAWER	1002617.iam	1
4		10/32NUT	4	#10-32 NUT W/ EXTERNAL TOOTH LOCK WASHER	10-32NUT.iam	-
5			1	SLIDEOUT PIVOT TRAY WELDMENT	1002622.iam	1
6			1	PIVOT KEYBOARD TRAY RK5024	1002621.iam	1
7		M6NUT	8	M6 CAGE NUT - ILS #2ZN266246 OR EQUIV.	M6NUT.iam	-
8			12	#8-32 x 1/4"L PAN HEAD PHIL TYPE 23 SCREW, BLACK	SCR832X250BLK.ipt	-
9		12SWS3680	1	MICROPLASTICS SHOULDER WASHER	12SWS3680.ipt	-
10		0501032LCNBLK	1	ACORN NUT, #10-32, BLACK NYLON, LOCKING	0501032LCNBLK.ipt	-
11			1	REAR RIGHT MOUNTING BRACKET, ALUM	1002618.ipt	0
12			1	REAR LEFT MOUNTING BRACKET, ALUM	1002619.ipt	0
13		10/32WING	4	#10-32 WING NUT 2ZN36616	10-32WING.ipt	-
14		9723K11	4	ADHESIVE BACKED BUMPER - McMASTER CARR	9723K11.ipt	-
15		SCR1032X1/2BLK	4	#10-32 x 1/2"L PAN HEAD PHIL TYPE 23 , BLACK	SCR1032X500BLK.ipt	-
16		M6SCREW	8	M6 x 12mm PAN HEAD ZN PL SCREW	M6SCREW.ipt	-
17		025-0500	3	DEKLIP SERIES 025 SHELL CLIP (DEK / TYCO)	025-0500.ipt	-

HARDWARE PACK TO INCLUDE:

- (8) M6 CAGE NUT (ITEM #9)
- (8) M6 SCREW (ITEM #10)
- (3) WIRE RETAINING CLIP (ITEM #11)



INTERPRET DRAWING PER ASME Y14.5M-1994
 DIMENSIONAL LIMITS APPLY
 AFTER APPLICATION OF FINISH
 DRAWING NOT TO SCALE
 TOLERANCE UNLESS OTHERWISE NOTED:
 ANGULAR +/- 1°
 .XXXX +/- .010
 .XXX +/- .015
 .XX +/- .030
 .X FOR REF. ONLY

NOTICE:
 Use of this document is subject to a confidentiality and nondisclosure agreement with Great Lakes Case & Cabinet Co., Inc. (GLCC) and may not be reproduced, disclosed or utilized in whole or in part without prior written authorization from GLCC.

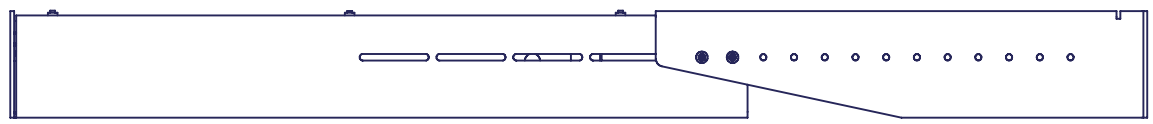
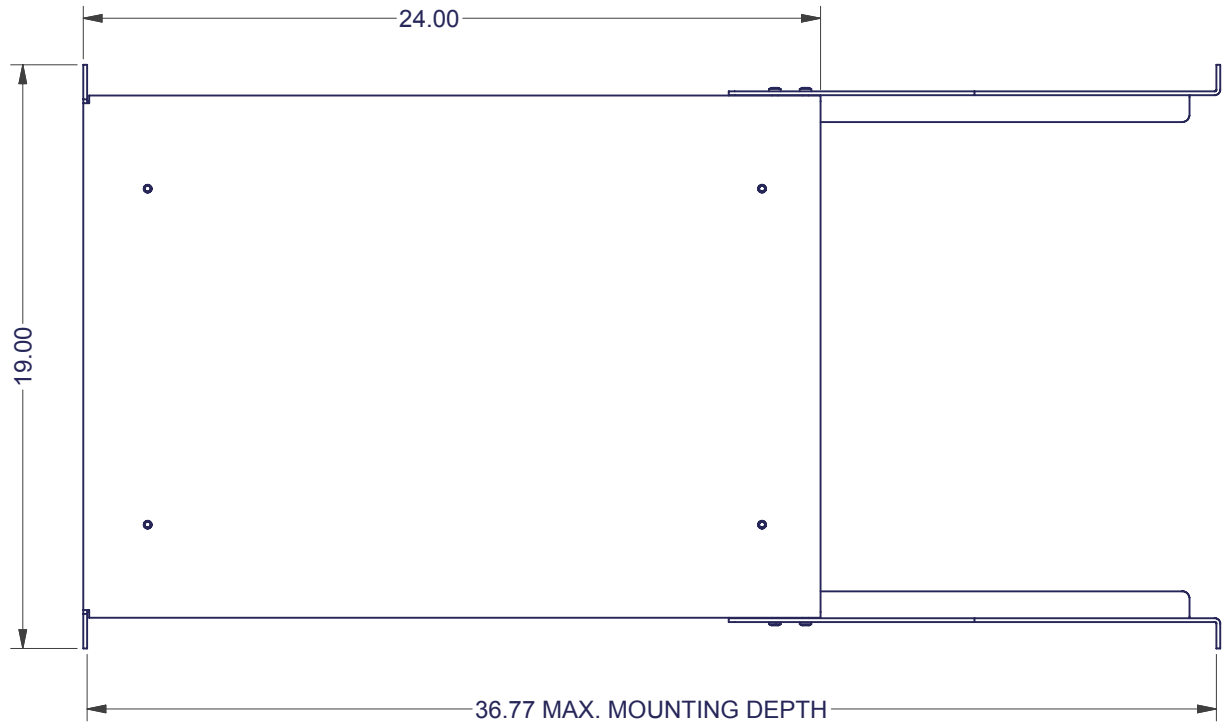
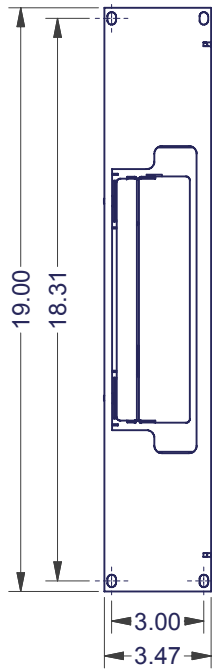
PART NUMBER:
7206MKM
 QTY PER UNIT: 1
 MATERIAL TYPE:
 -
 MATERIAL GAUGE:
#16 GA CRS & .125 AL
 FINISH:
 -
 DRAWN: JL DATE: 5/16/2005
 CHECKED & APP. WSS DATE: 5-17-05

TITLE
MONITOR, KEYBOARD, & MOUSE 19" SHELF ASSEMBLY
 GREAT LAKES CASE & CABINET CO., INC.
 P.O. BOX 551 EDINBORO, PA 16412
 PHONE (814) 734-7303 FAX (814) 734-3907
 E-MAIL glcc@greatcabinets.com



UNLESS OTHERWISE SPECIFIED
 ALL DIMENSIONS ARE IN INCHES

DWG NO: **1003175** REV: **2** SHEET: 1 OF 2



INTERPRET DRAWING PER ASME Y14.5M-1994
 DIMENSIONAL LIMITS APPLY
 AFTER APPLICATION OF FINISH
 DRAWING NOT TO SCALE
 TOLERANCE UNLESS OTHERWISE NOTED:
 ANGULAR +/- 1°
 .XXXX +/- .010
 .XXX +/- .015
 .XX +/- .030
 .X FOR REF. ONLY

NOTICE:
 Use of this document is subject to a confidentiality and nondisclosure agreement with Great Lakes Case & Cabinet Co., Inc. (GLCC) and may not be reproduced, disclosed or utilized in whole or in part without prior written authorization from GLCC.

PART NUMBER:
7206MKM
 QTY PER UNIT: 1
 MATERIAL TYPE: -
 MATERIAL GAUGE: -
 FINISH: -
 DRAWN: JL DATE: 5/16/2005
 CHECKED & APP. DATE: WSS 5-17-05

TITLE
MONITOR, KEYBOARD, & MOUSE 19" SHELF ASSEMBLY
 GREAT LAKES CASE & CABINET CO., INC.
 P.O. BOX 551 EDINBORO, PA 16412
 PHONE (814) 734-7303 FAX (814) 734-3907
 E-MAIL glcc@greatcabinets.com
 DWG NO: 1003175
 REV: 2
 SHEET: 2 OF 2



THIRD ANGLE PROJECTION
 UNLESS OTHERWISE SPECIFIED
 ALL DIMENSIONS ARE IN INCHES