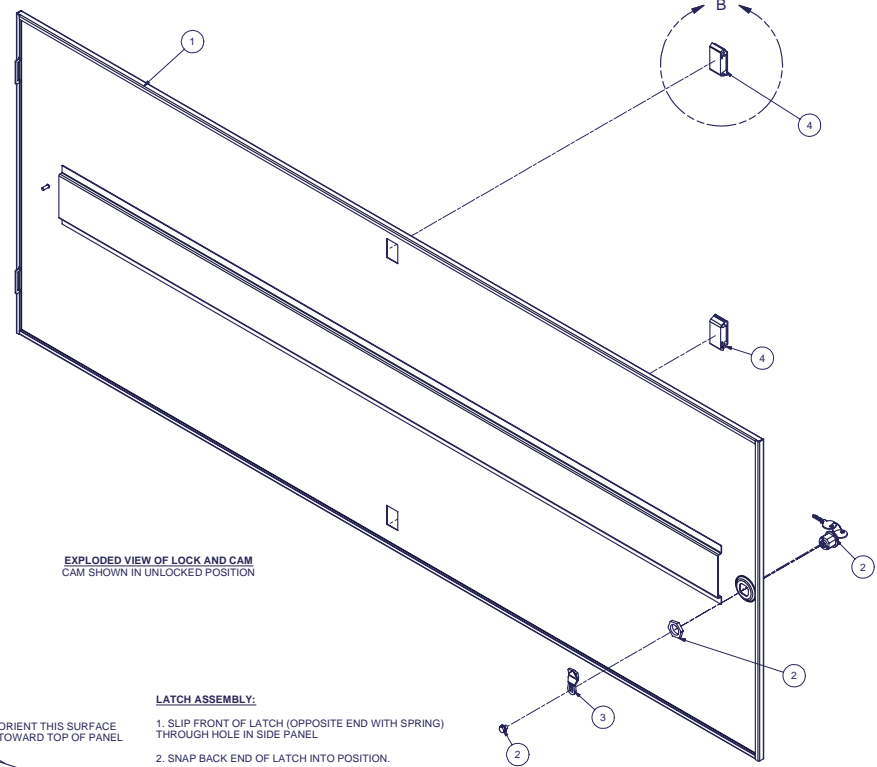
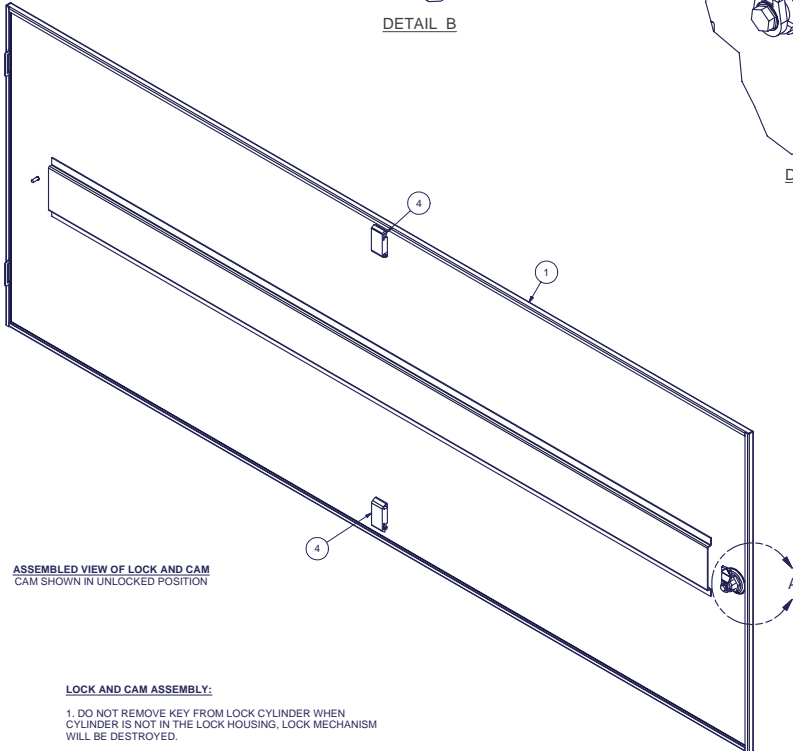
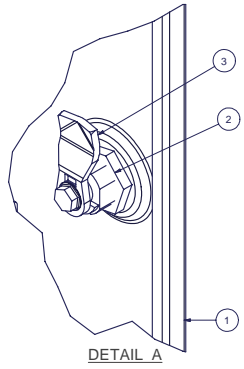
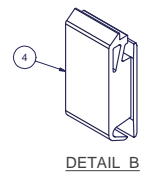


REVISION HISTORY			
REV	DESCRIPTION	DATE	APPROVED
5	ECC-02089	12/3/07	WSS
6	ECC-02616	8/3/2009	FED

Bill of Material						
ITEM	PART NUMBER	STOCK NU	QTY	DESCRIPTION	FILE NAME	REVISION
1			1	SIDE PANEL WELDMENT, SOLID LIFT-OFF FOR 72H x 32D E CABINETS	I000188.iam	5
2	10117-32728	H19-037	1	Austin 10117-32728 Black Lock, or PENN. KEY 1333	10117-32728.iam	-
3	2000614	H17-010	1	LOCK CAM, 14mm GRIP, L=35mm, ZN. PL. DIRAK or EQUIV.	2000614.ipt	-
4	A34062512		2	SOUTHCO SLIDE LATCH, FLUSH	A34062512.ipt	-



ASSEMBLED VIEW OF LOCK AND CAM  
CAM SHOWN IN UNLOCKED POSITION

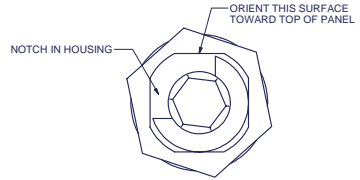
EXPLODED VIEW OF LOCK AND CAM  
CAM SHOWN IN UNLOCKED POSITION

**LOCK AND CAM ASSEMBLY:**

1. DO NOT REMOVE KEY FROM LOCK CYLINDER WHEN CYLINDER IS NOT IN THE LOCK HOUSING, LOCK MECHANISM WILL BE DESTROYED.
2. POSITION LOCK HOUSING AS SHOWN IN VIEW 3 - NOTE ORIENTATION OF NOTCH ON ITS INSIDE SURFACE AND THE ORIENTATION OF THE KEY IN CYLINDER.
3. SECURE LOCK HOUSING WITH NUT.
4. POSITION CAM AS SHOWN AND SECURE WITH SCREW.
5. TURN KEY TO VERIFY SMOOTH OPERATION OF LOCK.

**LATCH ASSEMBLY:**

1. SLIP FRONT OF LATCH (OPPOSITE END WITH SPRING) THROUGH HOLE IN SIDE PANEL.
2. SNAP BACK END OF LATCH INTO POSITION.
3. LATCH MUST TRAVEL FREELY ONCE INSTALLED - PULL LATCH BACK AGAINST ITS SPRING AND RELEASE. LATCH MUST TRAVEL BACK 1/4" UNDER ITS OWN SPRING TENSION.



VIEW 3  
AS VIEWED FROM INSIDE

INTERPRET DRAWING PER ASME Y14.5M-1994	
DIMENSIONAL LIMITS APPLY AFTER APPLICATION OF FINISH	DRAWING NOT TO SCALE
TOLERANCE UNLESS OTHERWISE NOTED: ANGULAR +/- 1° .XXX +/- .010 .XXX +/- .015 .XXX +/- .030 X FOR REF. ONLY	
UNLESS OTHERWISE SPECIFIED ALL DIMENSIONS ARE IN INCHES	

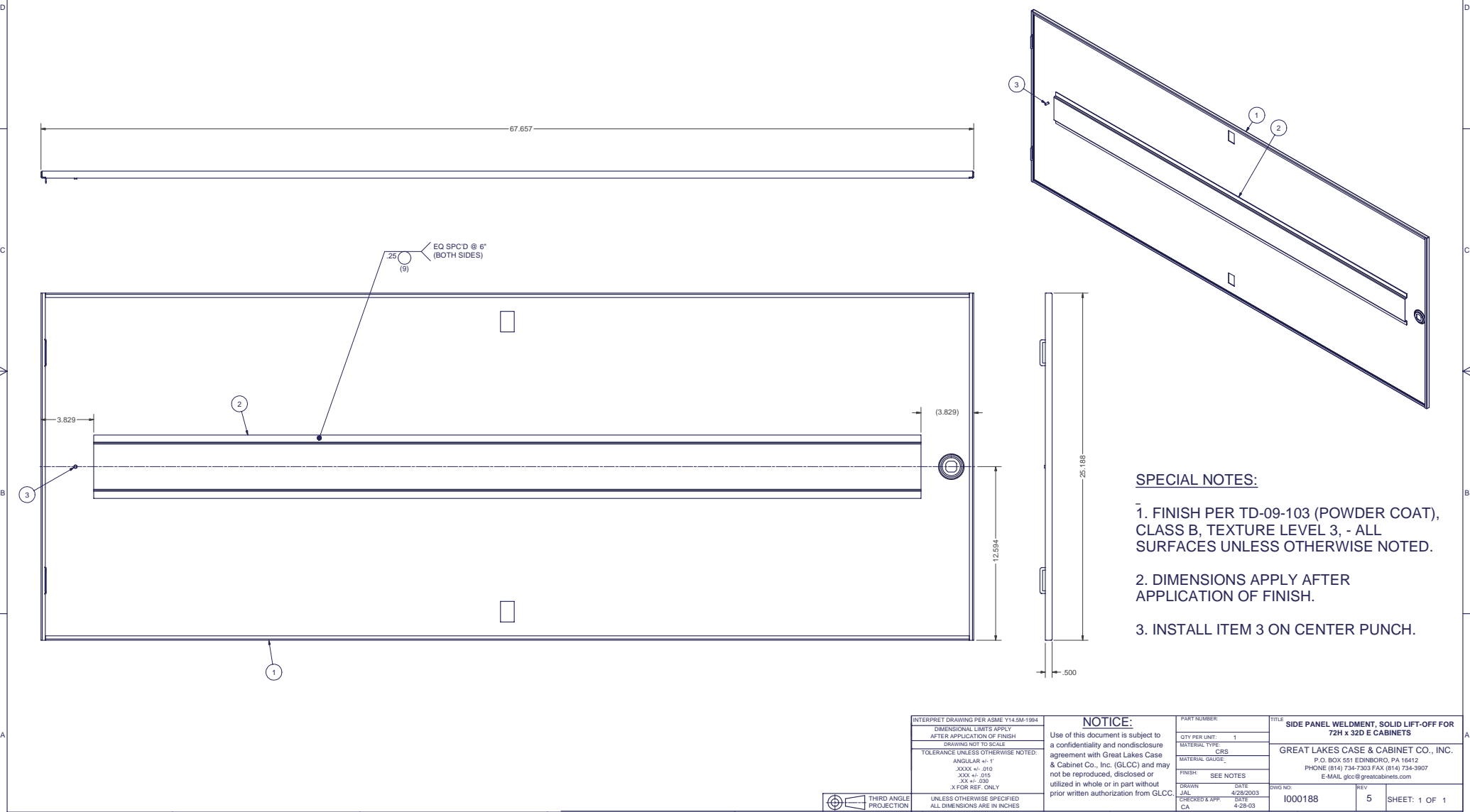
**NOTICE:**  
Use of this document is subject to a confidentiality and nondisclosure agreement with Great Lakes Case & Cabinet Co., Inc. (GLCC) and may not be reproduced, disclosed or utilized in whole or in part without prior written authorization from GLCC.

PART NUMBER: <b>7210321EL SX100</b>	TITLE: <b>SIDE PANEL SOLID LIFT-OFF FOR 72H x 32D E CABINET, ASSEMBLY</b>
QTY PER UNIT: 1	MATERIAL TYPE: -
MATERIAL GAUGE: -	FINISH: -
DRAWN: JAL	DATE: 4/28/2003
CHECKED & APP: CA	DATE: 4-29-03
DWG NO: <b>I000187</b>	REV: <b>6</b>
SHEET: 1 OF 1	



REVISION HISTORY			
REV	DESCRIPTION	DATE	APPROVED
4	ECC-02099	12/3/07	WISS
5	ECC-02816	8/3/2009	FED

Bill of Material						
ITEM	PART NUMBER	STOCK NU	QTY	DESCRIPTION	FILE NAME	REVISION
1	-		1	SIDE PANEL, SOLID, LIFTOFF, FOR 72H x 32D E CABINET	I000189.ipt	3
2	-		1	STIFFENER FOR 72" H E CABINET LIFT-OFF SIDE PANELS	I000224.ipt	5
3	101208260	H08-014	1	#10-32 x 1/2" L WELD STUD (NELSON)	101208260.ipt	-



- SPECIAL NOTES:**
1. FINISH PER TD-09-103 (POWDER COAT), CLASS B, TEXTURE LEVEL 3, - ALL SURFACES UNLESS OTHERWISE NOTED.
  2. DIMENSIONS APPLY AFTER APPLICATION OF FINISH.
  3. INSTALL ITEM 3 ON CENTER PUNCH.

INTERPRET DRAWING PER ASME Y14.5M-1994 DIMENSIONAL LIMITS APPLY AFTER APPLICATION OF FINISH DRAWING NOT TO SCALE TOLERANCE UNLESS OTHERWISE NOTED: ANGULAR ± .1° .XXX ± .010 .XXX ± .015 .XX ± .030 X FOR REF. ONLY		<b>NOTICE:</b> Use of this document is subject to a confidentiality and nondisclosure agreement with Great Lakes Case & Cabinet Co., Inc. (GLCC) and may not be reproduced, disclosed or utilized in whole or in part without prior written authorization from GLCC.		PART NUMBER: QTY PER UNIT: 1 MATERIAL TYPE: CRS MATERIAL GAUGE: FINISH: SEE NOTES		<b>TITLE</b> SIDE PANEL WELDMENT, SOLID LIFT-OFF FOR 72H x 32D E CABINETS GREAT LAKES CASE & CABINET CO., INC. P.O. BOX 551 EDINBORO, PA 16412 PHONE: (814) 734-7303 FAX: (814) 734-3907 E-MAIL: glcc@greatlakescabinets.com	
UNLESS OTHERWISE SPECIFIED ALL DIMENSIONS ARE IN INCHES THIRD ANGLE PROJECTION		DRAWN: JAL CHECKED & APP: CA DATE: 4/28/2003 DATE: 4-28-03		DWG NO: I000188		REV: 5 SHEET: 1 OF 1	