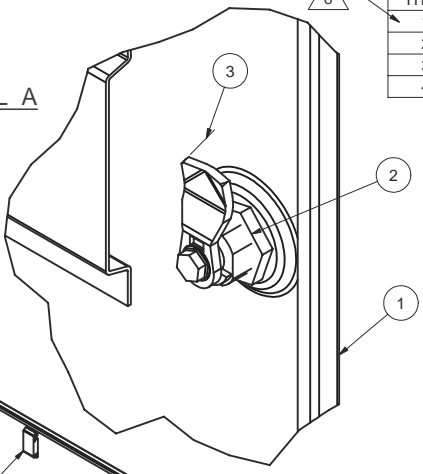


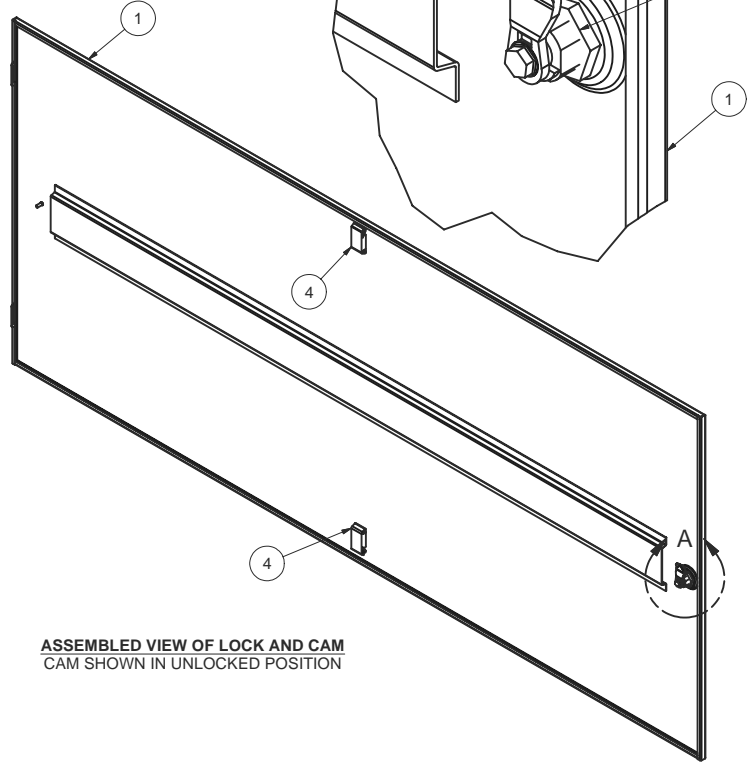
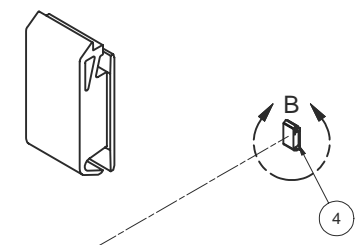
REVISION HISTORY			
REV	DESCRIPTIO	DATE	APPROVED
6	ECO-02099	12/3/07	WSS

Bill of Material					
ITEM	PART NUMBER	QTY	DESCRIPTION	FILE NAME	REVISION
1	-	1	SIDE PANEL WELDMNT, SOLID LIFT-OFF FOR 72H x 36D E CABINETS	I000222.iam	4
2	10117-32728	1	Austin Hardware 10117-32728 Black Die cast Lock	10117-32728.iam	-
3	2000614	1	CAM FOR SIDE PANELS	2000614.ipt	-
4	A34062512	2	SOUTHCO SLIDE LATCH, FLUSH	A34062512.ipt	-

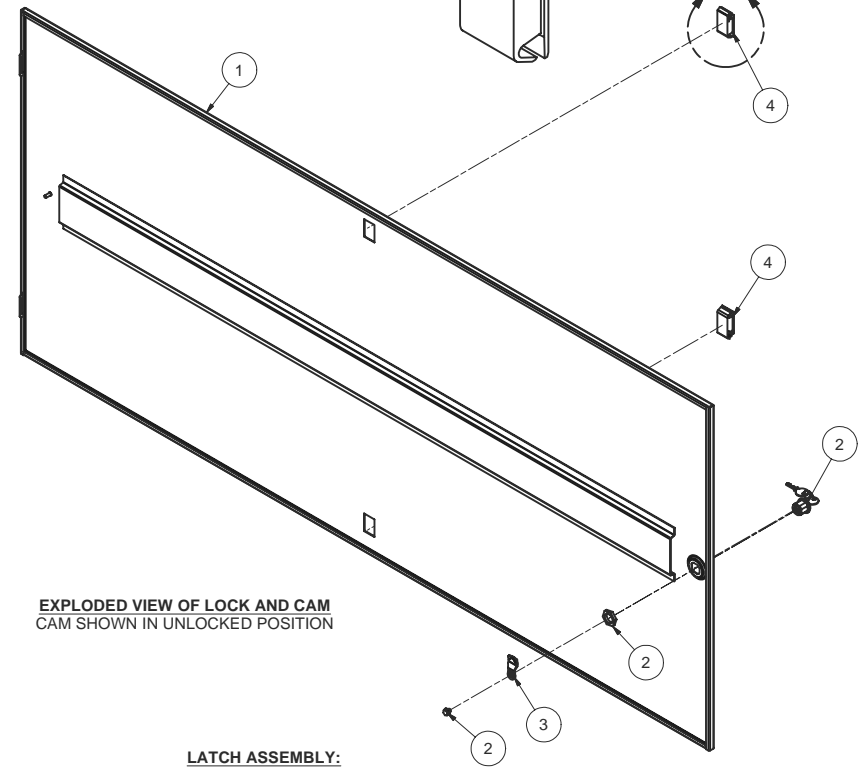
DETAIL A



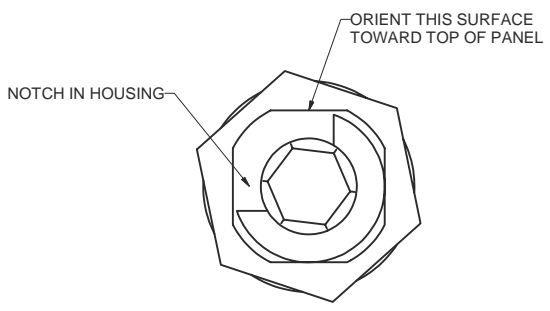
DETAIL B



ASSEMBLED VIEW OF LOCK AND CAM
CAM SHOWN IN UNLOCKED POSITION



EXPLODED VIEW OF LOCK AND CAM
CAM SHOWN IN UNLOCKED POSITION



VIEW3
AS VIEWED FROM INSIDE

LOCK AND CAM ASSEMBLY:

1. DO NOT REMOVE KEY FROM LOCK CYLINDER WHEN CYLINDER IS NOT IN THE LOCK HOUSING, LOCK MECHANISM WILL BE DESTROYED.
2. POSITION LOCK HOUSING AS SHOWN IN VIEW 3 - NOTE ORIENTATION OF NOTCH ON ITS INSIDE SURFACE AND THE ORIENTATION OF THE KEY IN CYLINDER.
3. SECURE LOCK HOUSING WITH NUT.
4. POSITION CAM AS SHOWN AND SECURE WITH SCREW.
5. TURN KEY TO VERIFY SMOOTH OPERATION OF LOCK.

LATCH ASSEMBLY:

1. SLIP FRONT OF LATCH (OPPOSITE END WITH SPRING) THROUGH HOLE IN SIDE PANEL
2. SNAP BACK END OF LATCH INTO POSITION.
3. LATCH MUST TRAVEL FREELY ONCE INSTALLED - PULL LATCH BACK AGAINST ITS SPRING AND RELEASE. LATCH MUST TRAVEL BACK 1/4" UNDER ITS OWN SPRING TENSION.

INTERPRET DRAWING PER ASME Y14.5M-1994
DIMENSIONAL LIMITS APPLY AFTER APPLICATION OF FINISH
DRAWING NOT TO SCALE
TOLERANCE UNLESS OTHERWISE NOTED: ANGULAR +/- 1° .XXXX +/- .010 .XXX +/- .015 .XX +/- .030 .X FOR REF. ONLY
UNLESS OTHERWISE SPECIFIED ALL DIMENSIONS ARE IN INCHES

NOTICE:
Use of this document is subject to a confidentiality and nondisclosure agreement with Great Lakes Case & Cabinet Co., Inc. (GLCC) and may not be reproduced, disclosed or utilized in whole or in part without prior written authorization from GLCC.

PART NUMBER: 7210361ELSX100
QTY PER UNIT: 1
MATERIAL TYPE: -
MATERIAL GAUGE: -
FINISH: -
DRAWN DATE JAL 4/29/2003
CHECKED & APP. DATE CA 4-30-03

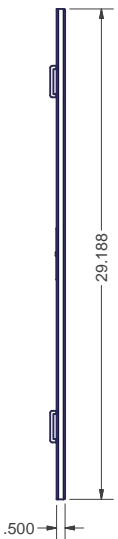
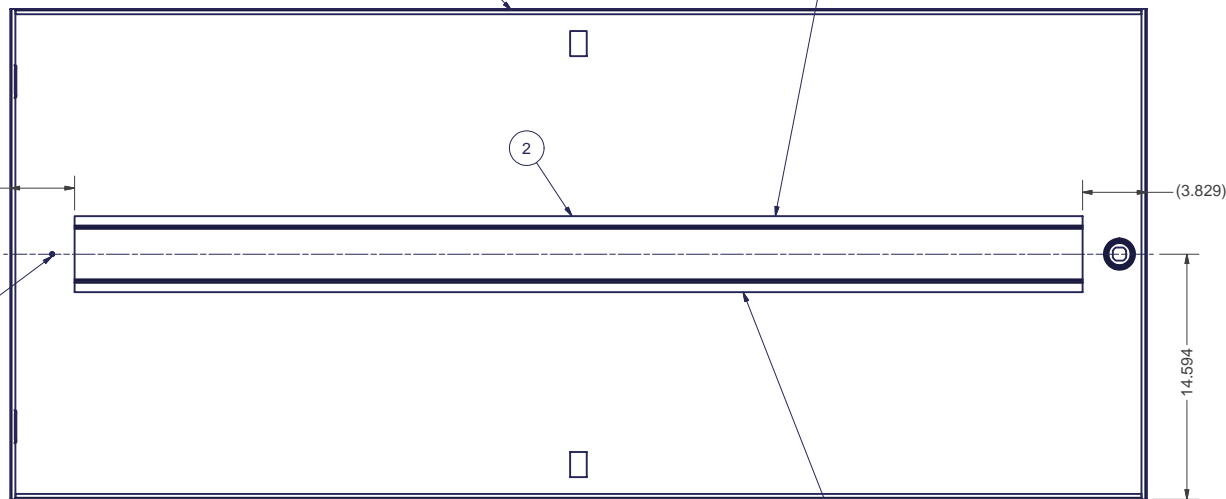
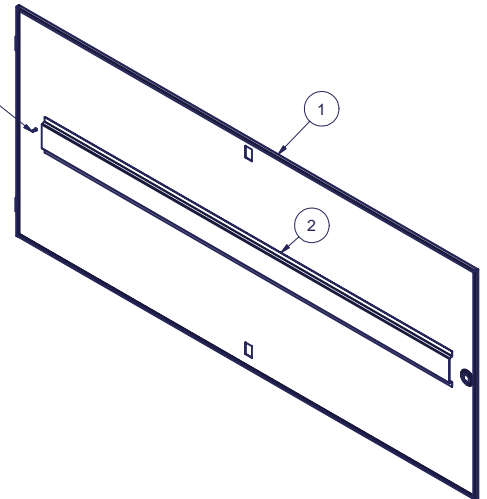
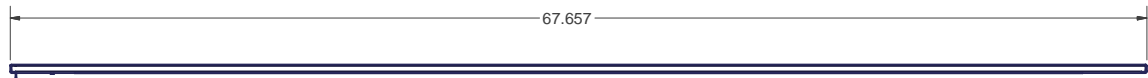
TITLE SIDE PANEL SOLID LIFT-OFF FOR 72H x 36D E CABINET, ASSEMBLY	
GREAT LAKES CASE & CABINET CO., INC. P.O. BOX 551 EDINBORO, PA 16412 PHONE (814) 734-7303 FAX (814) 734-3907 E-MAIL glcc@greatcabinets.com	
DWG NO: I000221	REV 6
SHEET: 1 OF 1	



THIRD ANGLE PROJECTION

REVISION HISTORY			
REV	DESCRIPTIO	DATE	APPROVED
4	ECO-02099	12/3/07	WSS

Bill of Material					
ITEM	PART NUMBER	QTY	DESCRIPTION	FILE NAME	REVISION
1	-	1	SIDE PANEL, SOLID, LIFTOFF, FOR 72H x 36D E CABINET	1000223.ipt	3
2	-	1	STIFFENER FOR 72" H E CABINET LIFT-OFF SIDE PANELS	1000224.ipt	4
3	101208260	1	#10-32 x 1/2"L WELD STUD (NELSON)	101208260.ipt	-



SPECIAL NOTES:
 1. FINISH PER TD-09-103 (POWDER COAT), CLASS B, TEXTURE LEVEL 3, - ALL SURFACES UNLESS OTHERWISE NOTED.
 2. DIMENSIONS APPLY AFTER APPLICATION OF FINISH.
 3. INSTALL ITEM 3 ON CENTER PUNCH.

INTERPRET DRAWING PER ASME Y14.5M-1994
DIMENSIONAL LIMITS APPLY AFTER APPLICATION OF FINISH
DRAWING NOT TO SCALE
TOLERANCE UNLESS OTHERWISE NOTED: ANGULAR +/- 1' .XXXX +/- .010 .XXX +/- .015 .XX +/- .030 .X FOR REF. ONLY
UNLESS OTHERWISE SPECIFIED ALL DIMENSIONS ARE IN INCHES

NOTICE:
 Use of this document is subject to a confidentiality and nondisclosure agreement with Great Lakes Case & Cabinet Co., Inc. (GLCC) and may not be reproduced, disclosed or utilized in whole or in part without prior written authorization from GLCC.

PART NUMBER:	-
QTY PER UNIT:	1
MATERIAL TYPE:	-
MATERIAL GAUGE:	-
FINISH:	SEE NOTES
DRAWN	DATE
JAL	4/29/2003
CHECKED & APP.	DATE
CA	4-30-03

TITLE		SIDE PANEL WELDMENT, SOLID LIFTOFF FOR 72H x 36D E CABINETS	
GREAT LAKES CASE & CABINET CO., INC.			
P.O. BOX 551 EDINBORO, PA 16412			
PHONE (814) 734-7303 FAX (814) 734-3907			
E-MAIL glcc@greatcabinets.com			
DWG NO:	REV	SHEET: 1 OF 1	
1000222	4		

