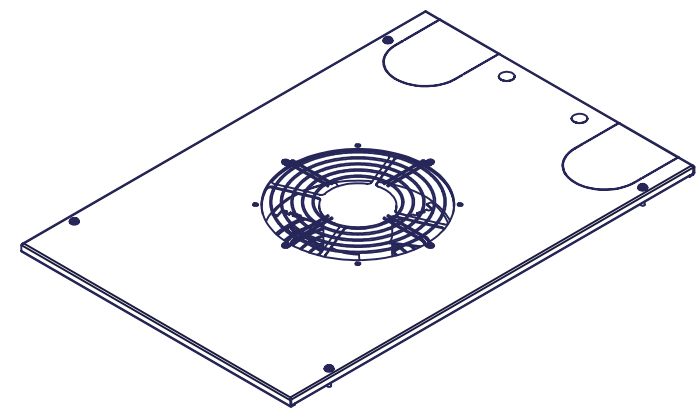
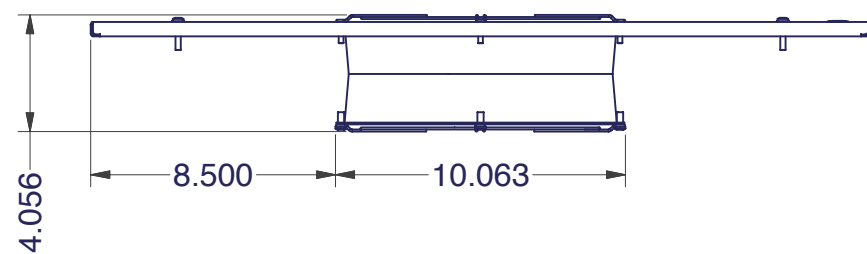
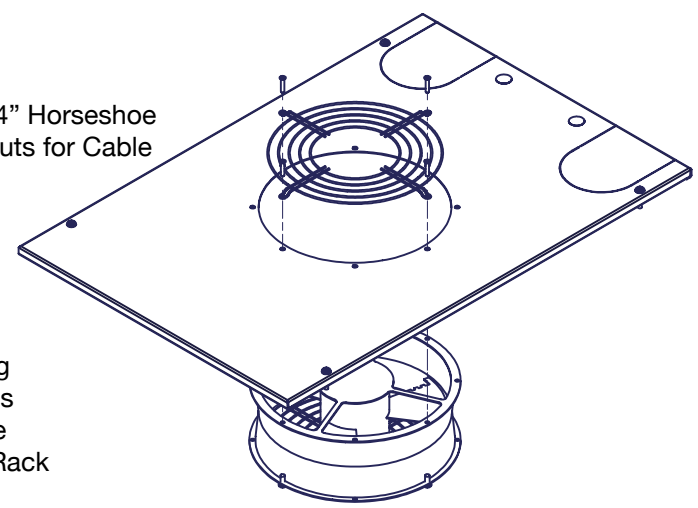


2 Large 4" Horseshoe Knock-outs for Cable Access

Mounting Locations for Cable Ladder Rack



NOTES: Sealed ball bearing fan
 Fan blade with Feathered Edge™ for lower noise
 4 ft. power cord w/5-15P plug per fan

- A) CFM: 550
- B) VAC: 115
- C) Hz: 50/60
- D) Watts: 67/61
- E) Line Amps: .48/.50
- F) dBA: 45.4

INTERPRET DRAWING PER ASME Y14.5M-1994
DIMENSIONAL LIMITS APPLY AFTER APPLICATION OF FINISH
DRAWING NOT TO SCALE
TOLERANCE UNLESS OTHERWISE NOTED:
ANGULAR +/- 1-
.XXXX +/- .010
.XXX +/- .015
.XX +/- .030
.X FOR REF. ONLY

NOTICE:
 Use of this document is subject to a confidentiality and nondisclosure agreement with Great Lakes Case & Cabinet Co., Inc. (GLCC) and may not be reproduced, disclosed or utilized in whole or in part without prior written authorization from GLCC.

PART NUMBER: TPE24F10
QTY PER UNIT: 1
MATERIAL TYPE: CRS
MATERIAL GAUGE: 16 GA
FINISH: SEE NOTES
DRAWN: CA DATE: 2/26/2003
CHECKED & APP. DATE: 5-23-05
WSS

TITLE 24" WIDE ENHANCED 10" FAN TOP PANEL
GREAT LAKES CASE & CABINET CO., INC. P.O. BOX 551 EDINBORO, PA 16412 PHONE (814) 734-7303 FAX (814) 734-3907 E-MAIL glcc@greatcabinets.com
DWG NO: 1000410
REV: 6
SHEET: 2 OF 2



UNLESS OTHERWISE SPECIFIED ALL DIMENSIONS ARE IN INCHES