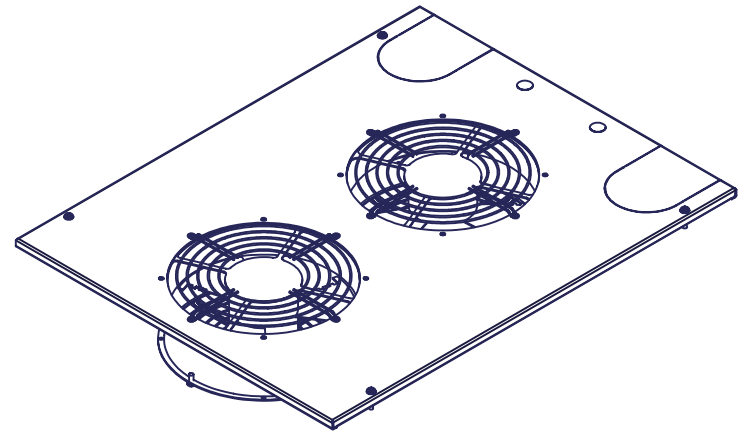
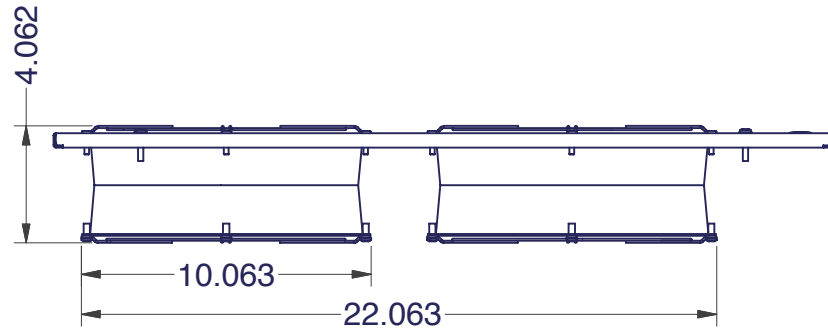
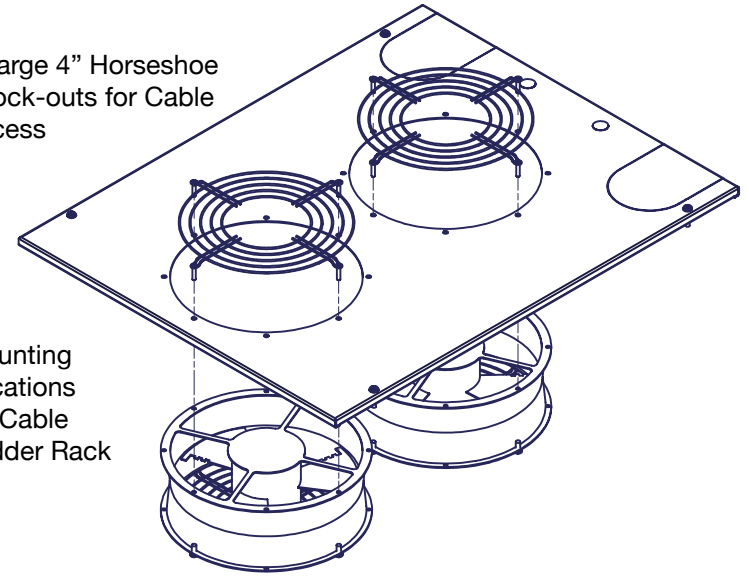


2 Large 4" Horseshoe Knock-outs for Cable Access

Mounting Locations for Cable Ladder Rack



NOTES: Sealed ball bearing fan  
 Fan blade with Feathered Edge™ for lower noise  
 4 ft. power cord w/5-15P plug per fan

- A) CFM: 550 per fan
- B) VAC: 115 per fan
- C) Hz: 50/60 per fan
- D) Watts: 67/61 per fan
- E) Line Amps: .48/.50 per fan
- F) dBA: 45.4 per fan



INTERPRET DRAWING PER ASME Y14.5M-1994
DIMENSIONAL LIMITS APPLY AFTER APPLICATION OF FINISH
DRAWING NOT TO SCALE
TOLERANCE UNLESS OTHERWISE NOTED:
ANGULAR +/- 1-
.XXXX +/- .010
.XXX +/- .015
.XX +/- .030
.X FOR REF. ONLY
UNLESS OTHERWISE SPECIFIED ALL DIMENSIONS ARE IN INCHES

**NOTICE:**  
 Use of this document is subject to a confidentiality and nondisclosure agreement with Great Lakes Case & Cabinet Co., Inc. (GLCC) and may not be reproduced, disclosed or utilized in whole or in part without prior written authorization from GLCC.

PART NUMBER:	<b>TPE292F10</b>
QTY PER UNIT:	1
MATERIAL TYPE:	CBS
MATERIAL GAUGE:	16 GA
FINISH:	SEE NOTES
DRAWN	DATE
CA	2/27/2003
CHECKED & APP.	DATE
WSS	5-23-05

TITLE	<b>29" WIDE ENHANCED 10" FAN TOP PANEL</b>		
GREAT LAKES CASE & CABINET CO., INC.			
P.O. BOX 551 EDINBORO, PA 16412			
PHONE (814) 734-7303 FAX (814) 734-3907			
E-MAIL glcc@greatcabinets.com			
DWG NO:	REV	SHEET: 2 OF 2	
1001195	0		