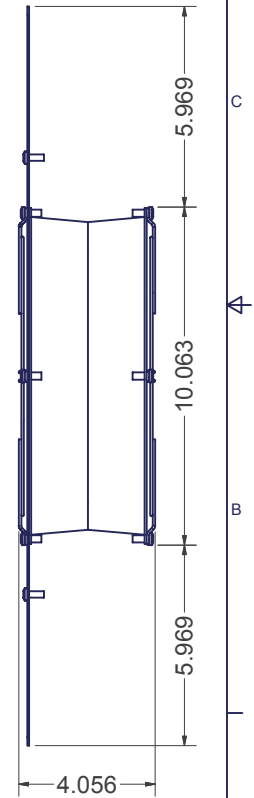
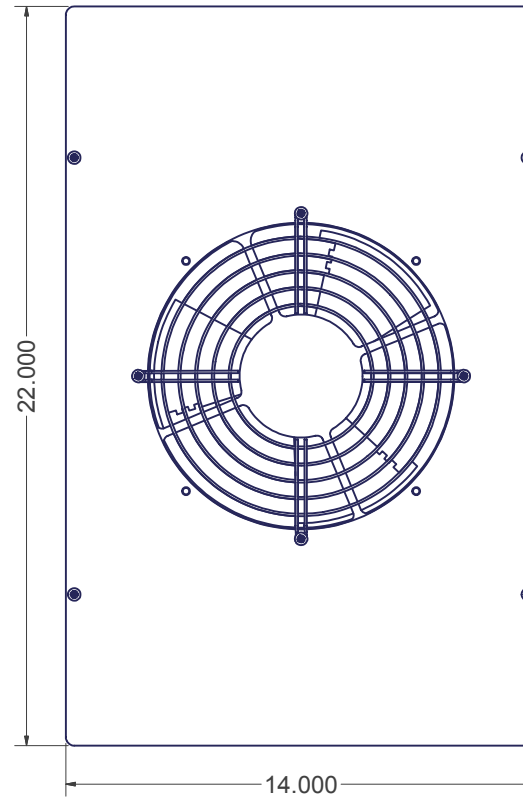
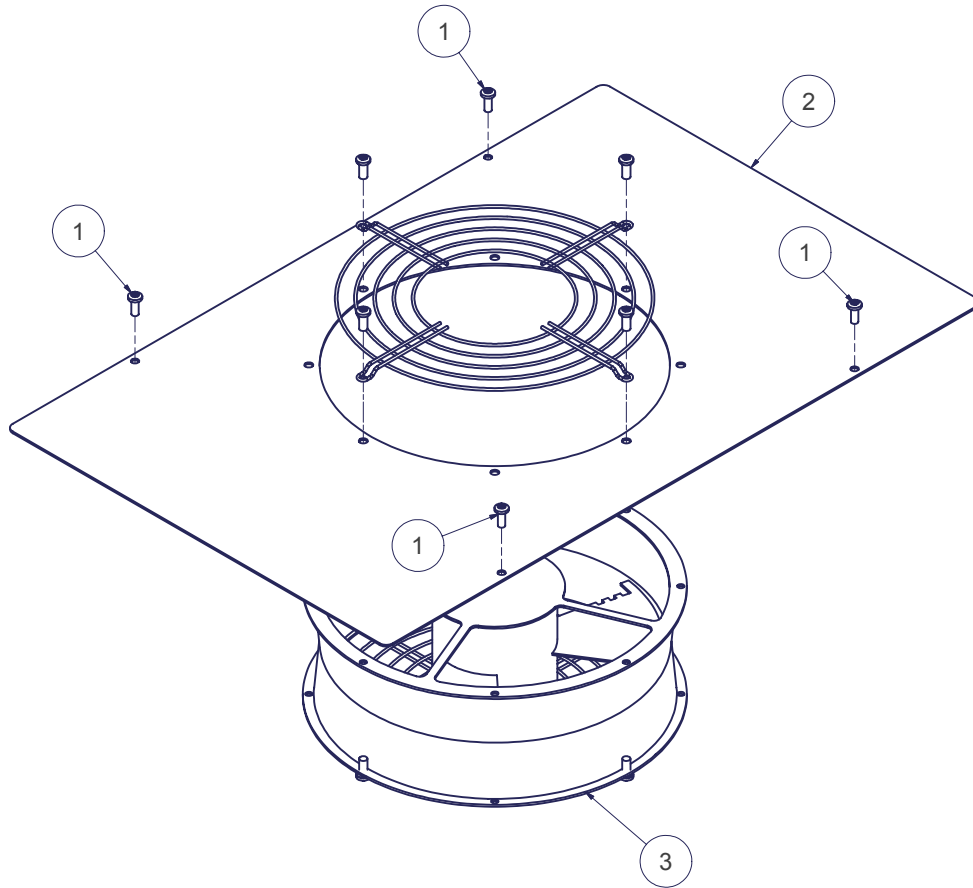


REVISION HISTORY			
REV	DESCRIPTION	DATE	APPROVED
0	ECO-02006	7/27/2007	JL

Bill of Material					
ITEM	PART NUMBER	QTY	DESCRIPTION	FILE NAME	REV
1	SCR1032X1/2BLK	4	#10-32 x 1/2"L PAN HEAD PHIL TYPE 23 , BLACK	SCR1032X500BLK.ipt	-
2	TPES-F10X100	1	TOP PANEL FOR ES FRAMES, 10" DIA. FAN CUTOUT	I005841.ipt	0
3	721710	1	10" FAN KIT ORION OA254AP-11-1TB, ROTRON 040458, CORD, 2 GUARDS	721710.iam	



- A) CFM: 550
- B) VAC: 115
- C) Hz: 50/60
- D) Watts: 67/61
- E) Line Amps: .48/.50
- F) dBA: 45.4

INTERPRET DRAWING PER ASME Y14.5M-1994
DIMENSIONAL LIMITS APPLY AFTER APPLICATION OF FINISH
DRAWING NOT TO SCALE
TOLERANCE UNLESS OTHERWISE NOTED:
ANGULAR +/- 1-
.XXXX +/- .010
.XXX +/- .015
.XX +/- .030
X FOR REF. ONLY
UNLESS OTHERWISE SPECIFIED ALL DIMENSIONS ARE IN INCHES

NOTICE:
 Use of this document is subject to a confidentiality and nondisclosure agreement with Great Lakes Case & Cabinet Co., Inc. (GLCC) and may not be reproduced, disclosed or utilized in whole or in part without prior written authorization from GLCC.

PART NUMBER:	TPES-F10
QTY PER UNIT:	1
MATERIAL TYPE:	-
MATERIAL GAUGE:	#16 GA
FINISH:	-
DRAWN	DATE
JL	7/26/2007
CHECKED & APP.	DATE
WSS	7-27-07

TITLE	TOP PANEL FOR ES FRAMES WITH 10" DIA. FAN ASSEMBLY	
	GREAT LAKES CASE & CABINET CO., INC.	
	P.O. BOX 551 EDINBORO, PA 16412	
	PHONE (814) 734-7303 FAX (814) 734-3907	
	E-MAIL glcc@greatcabinets.com	
DWG NO:	REV	SHEET: 1 OF 1
I005840	0	



THIRD ANGLE PROJECTION