

**CONSTRUCTION:**

FULLY WELDED MAIN BODY.  
 DURABLE TEXTURE POWDER COAT  
 #12 GA. C.R.S. EQUIPMENT MTG. RAIL, (1 PAIR)  
 #16 GA. C.R.S. REAR WALL PLATE  
 # 20 GA. C.R.S. MAIN BODY & DOOR.

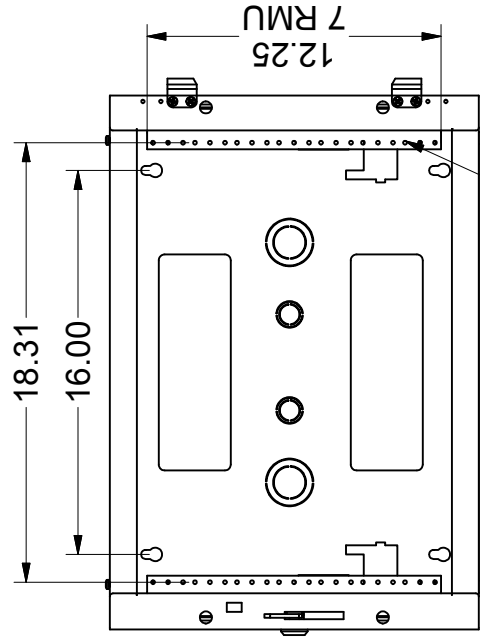
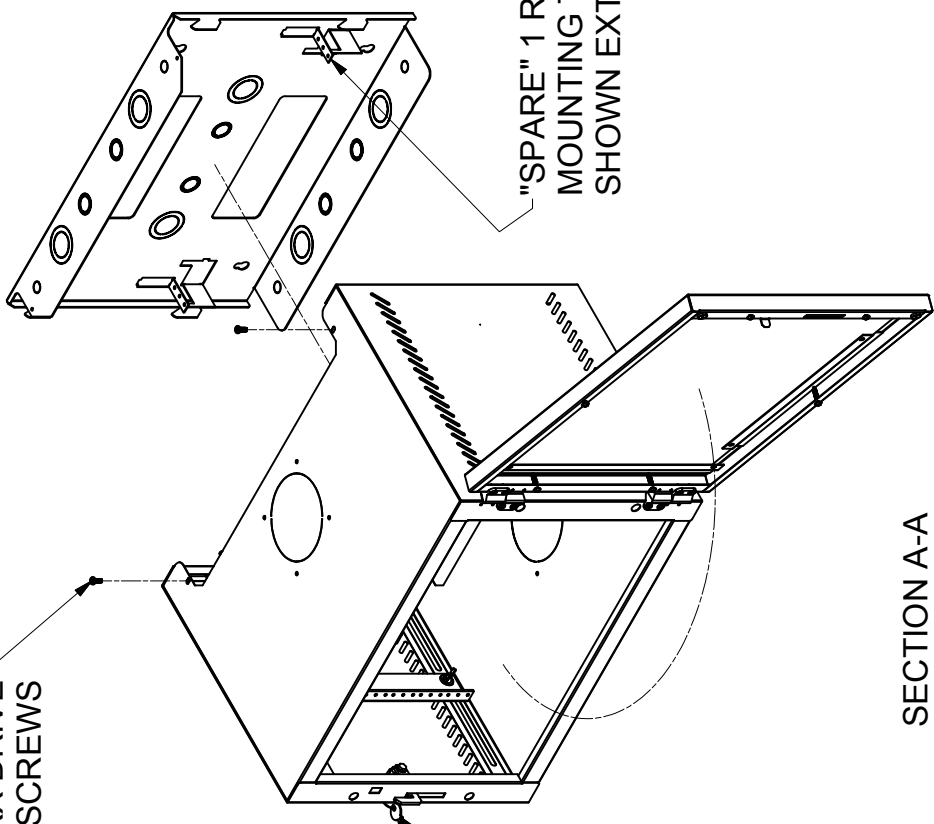
1/2" & 3/4" CONDUIT KNOCKOUTS  
 1" & 1 1/2" CONDUIT KNOCKOUTS  
 5/8" KNOCKOUT

EXHAUST FAN KNOCKOUT  
 75 CFM - 110VAC  
 TYP. TOP & BOTTOM.

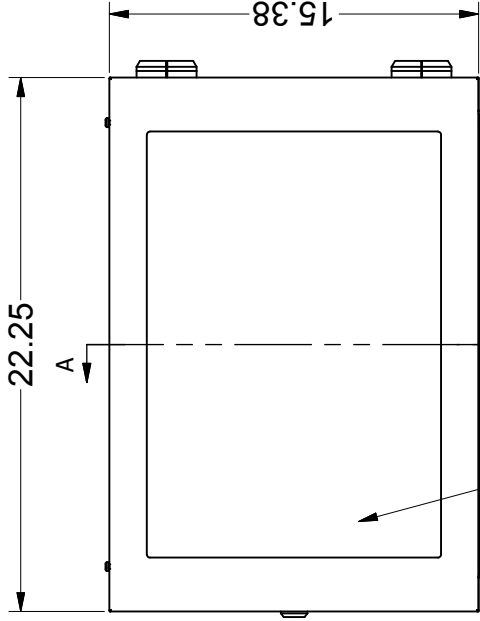
KEYED LOCK  
 FOR FRONT DOOR

TORX DRIVE  
 SECURITY SCREWS

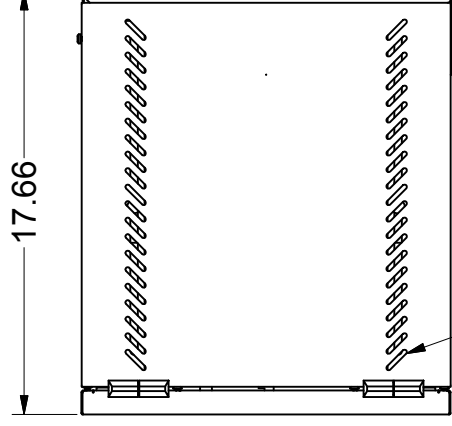
"SPARE" 1 RMU  
 MOUNTING TABS  
 SHOWN EXTENDED



#10-32 TAPPED EIA  
 MTG. HOLES

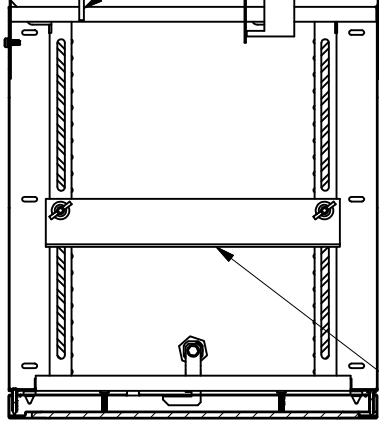


PLEXIGLAS DOOR SHOWN  
 W/ OPTIONAL SOLID DOOR



SIDE VENTILATION

SECTION A-A



GROUND STUD  
 #10-32 X 1" LG.

ADJUSTABLE EQUIPMENT  
 RAILS

INTERPRET DRAWING PER ASME Y14.5M-1994  
 DIMENSIONAL LIMITS APPLY  
 AFTER APPLICATION OF FINISH  
 DRAWING NOT TO SCALE  
 TOLERANCE UNLESS OTHERWISE NOTED:  
 ANGULAR +/- 1  
 .XXX +/- .010  
 .XX +/- .015  
 .X FOR REF. ONLY  
 UNLESS OTHERWISE SPECIFIED  
 ALL DIMENSIONS ARE IN INCHES

**NOTICE:**  
 Use of this document is subject to  
 a confidentiality and nondisclosure  
 agreement with Great Lakes Case  
 & Cabinet Co., Inc. (GLCC) and may  
 not be reproduced, disclosed or  
 utilized in whole or in part without  
 prior written authorization from GLCC.

PART NUMBER: 15WM  
 QTY PER UNIT: 1  
 MATERIAL TYPE:  
 MATERIAL GAUGE:  
 FINISH: SEE NOTES  
 DRAWN: DATE: 1/11/2011  
 MZ: DATE: 1/11/2011  
 CHECKED & APP. DATE: 1/11/2011  
 WSS

TITLE: 15WM  
 GREAT LAKES CASE & CABINET CO., INC.  
 P.O. BOX 551 EDINBORO, PA 16412  
 PHONE (814) 734-7303 FAX (814) 734-3907  
 E-MAIL glcc@greatlakes.com



THIRD ANGLE  
 PROJECTION

DWG NO: 1013250  
 REV: 0  
 SHEET: 1 OF 1