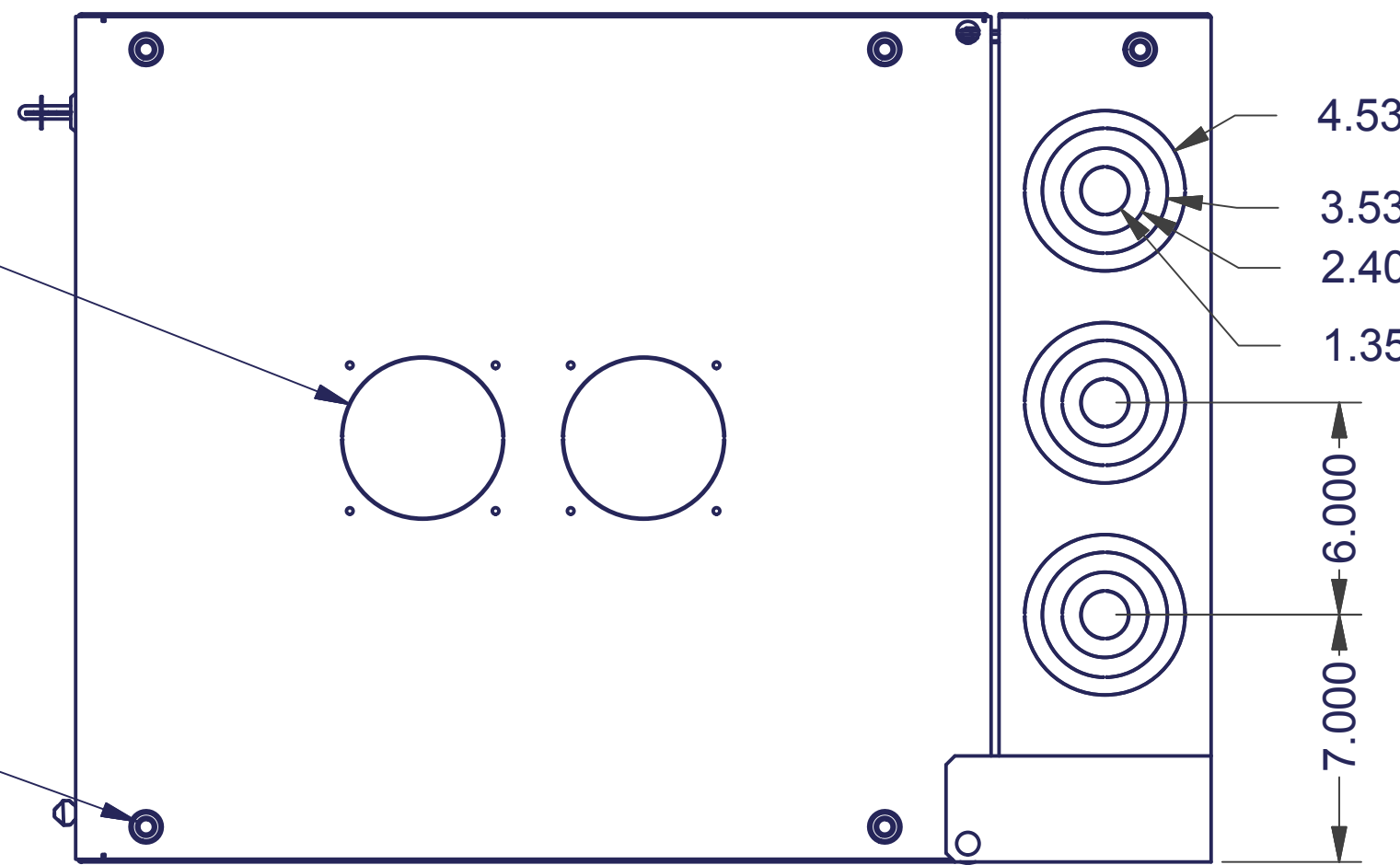
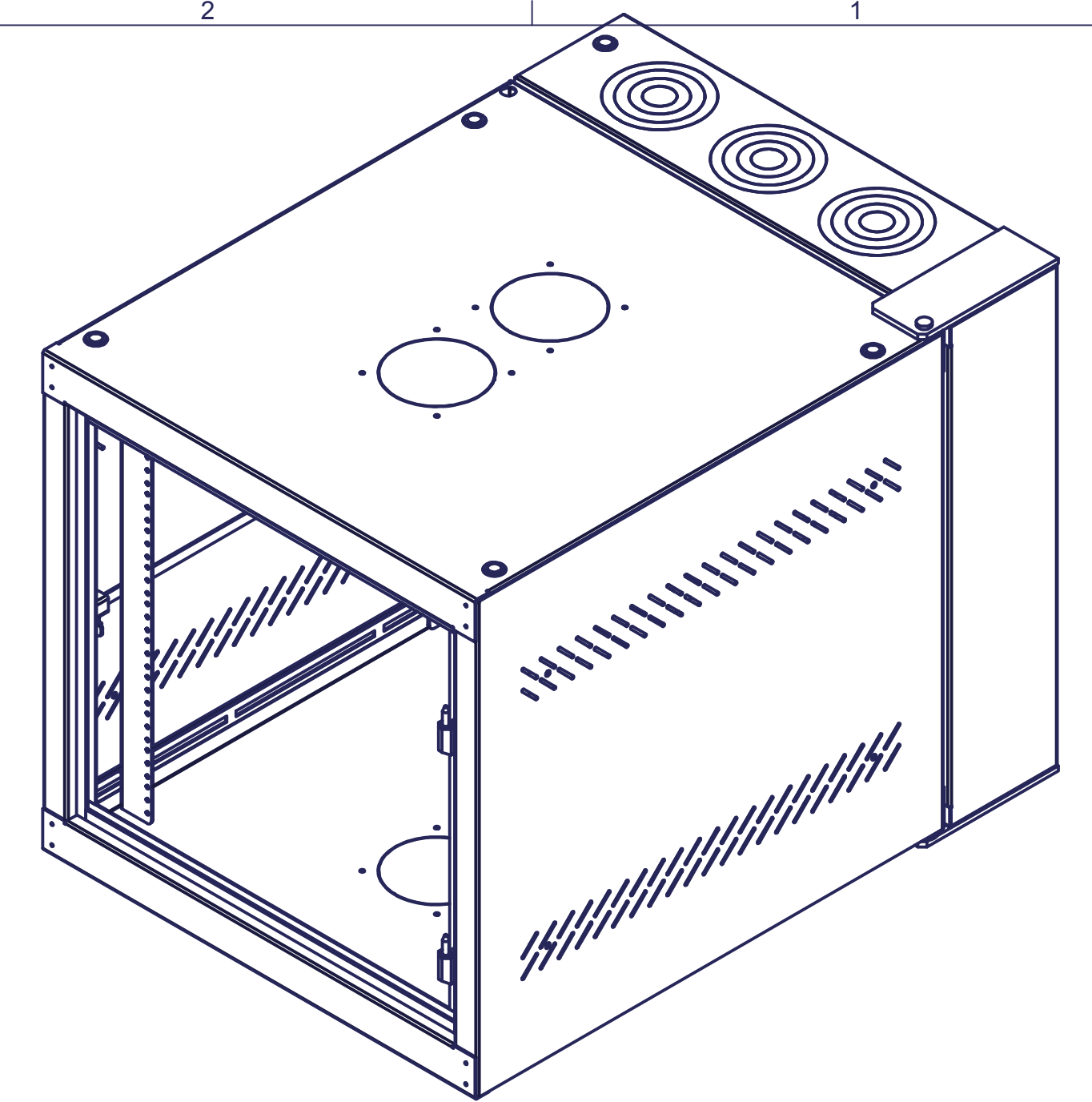


FAN KNOCKOUTS FOR 7217WS ASSEMBLY LOCATED ON TOP AND BOTTOM

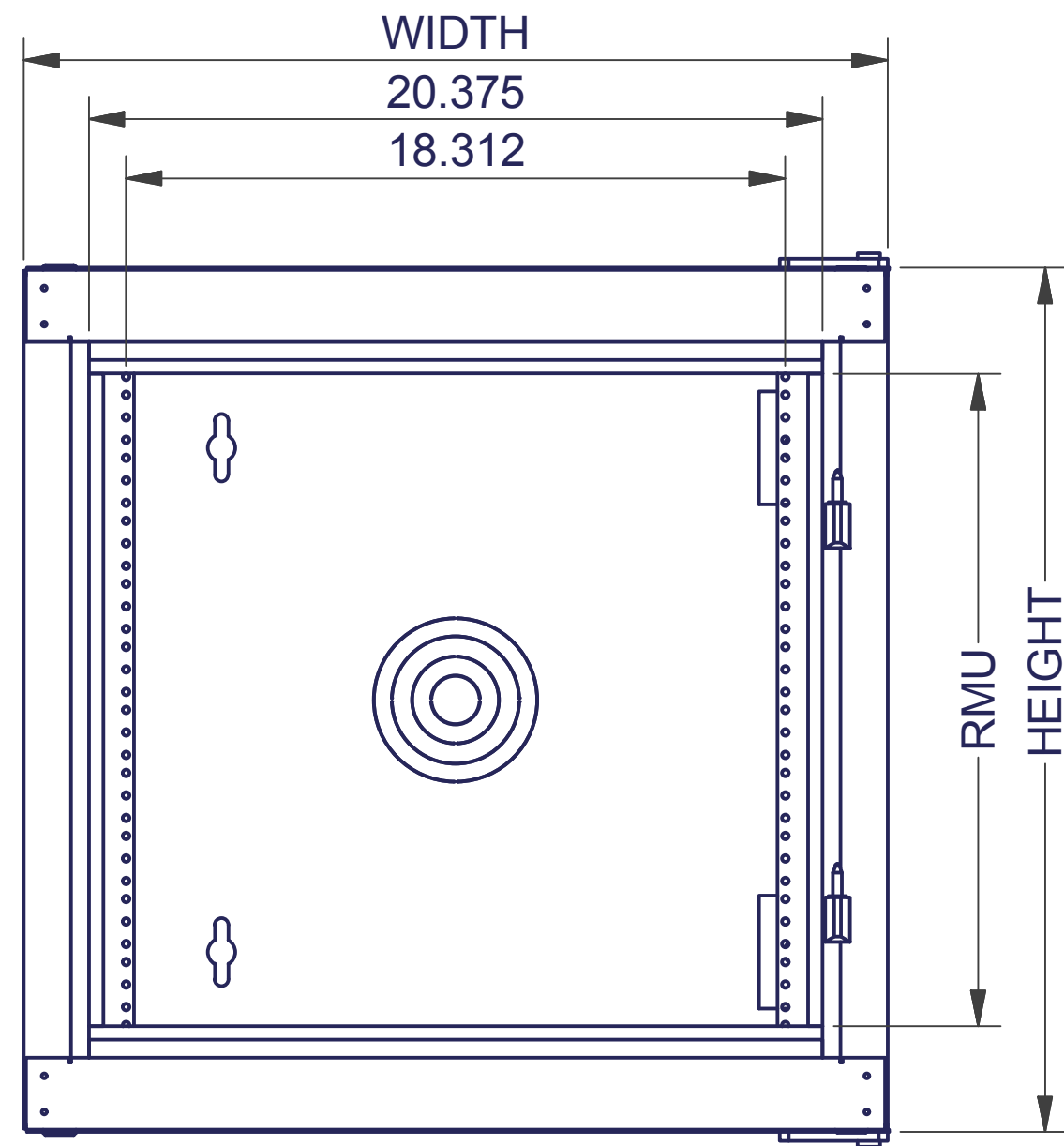
DIA. 1/2" - 13 THREADS TOP AND BOTTOM 5 PLACES



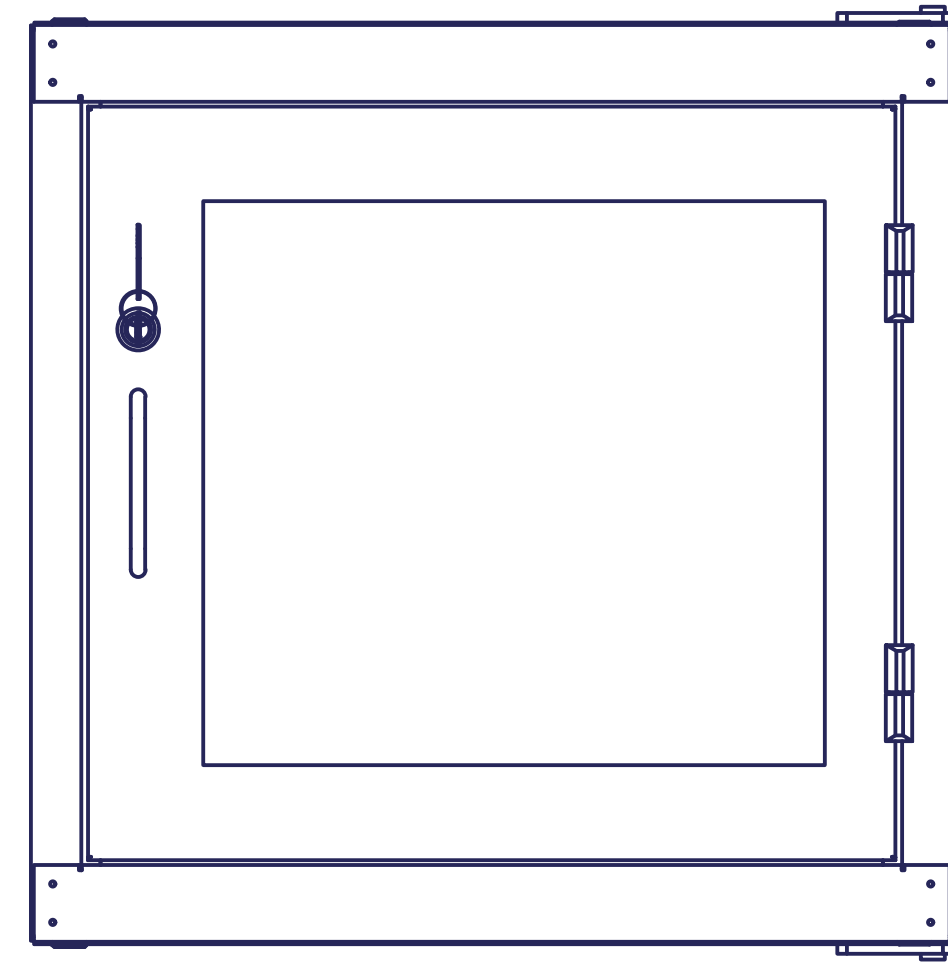
TOP VIEW



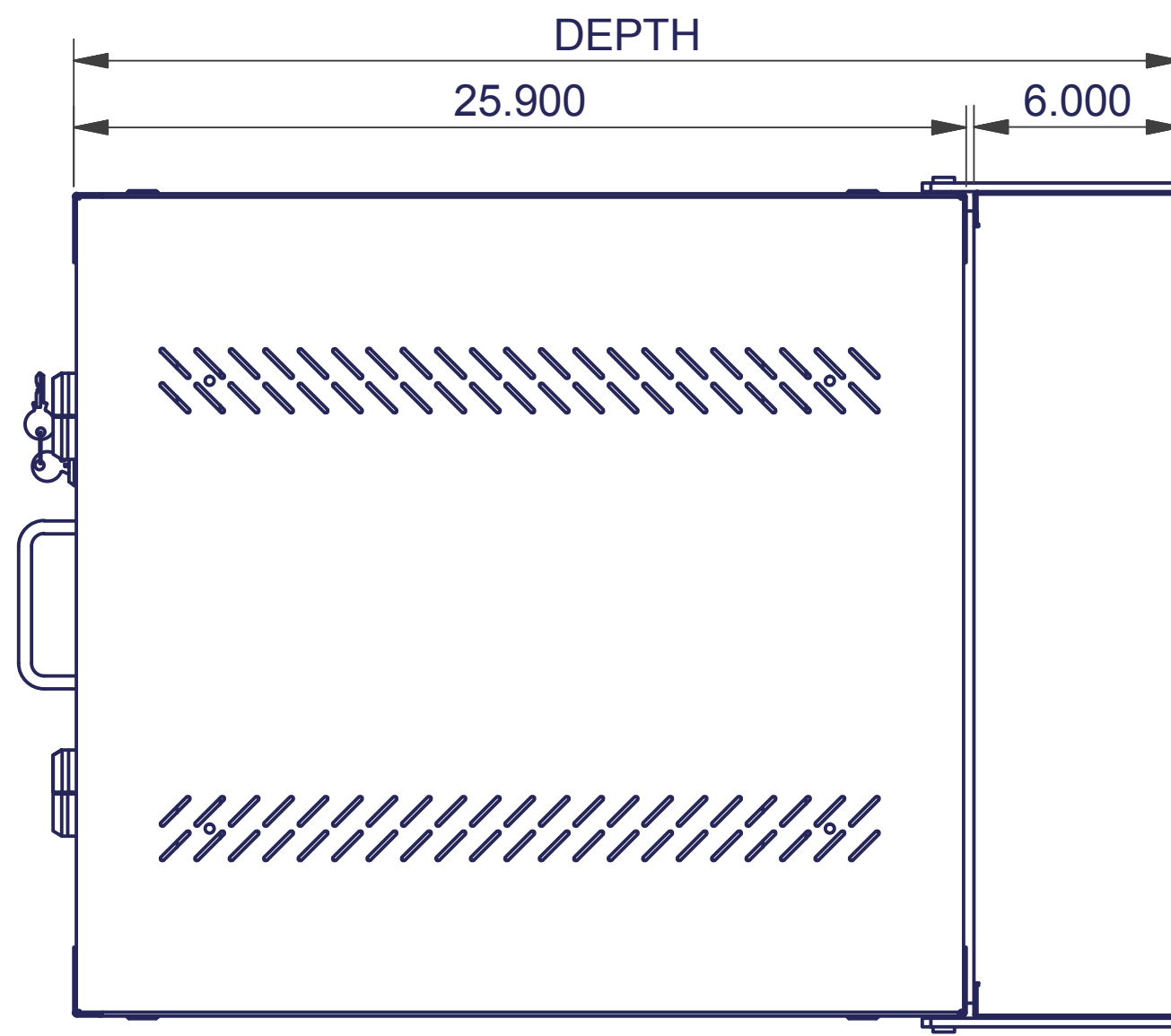
ISO COLLAPSED (without Door)



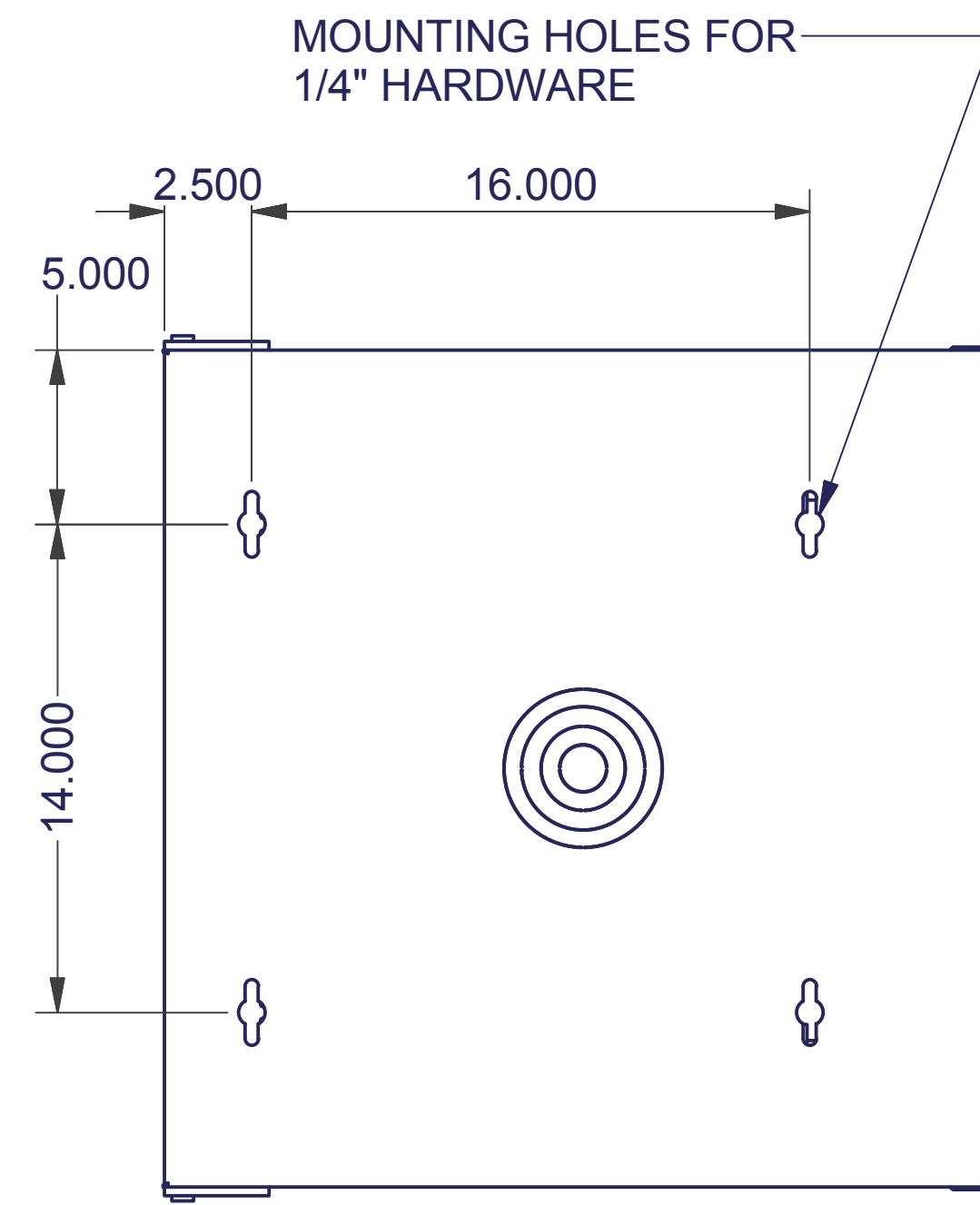
FRONT VIEW (without Door)



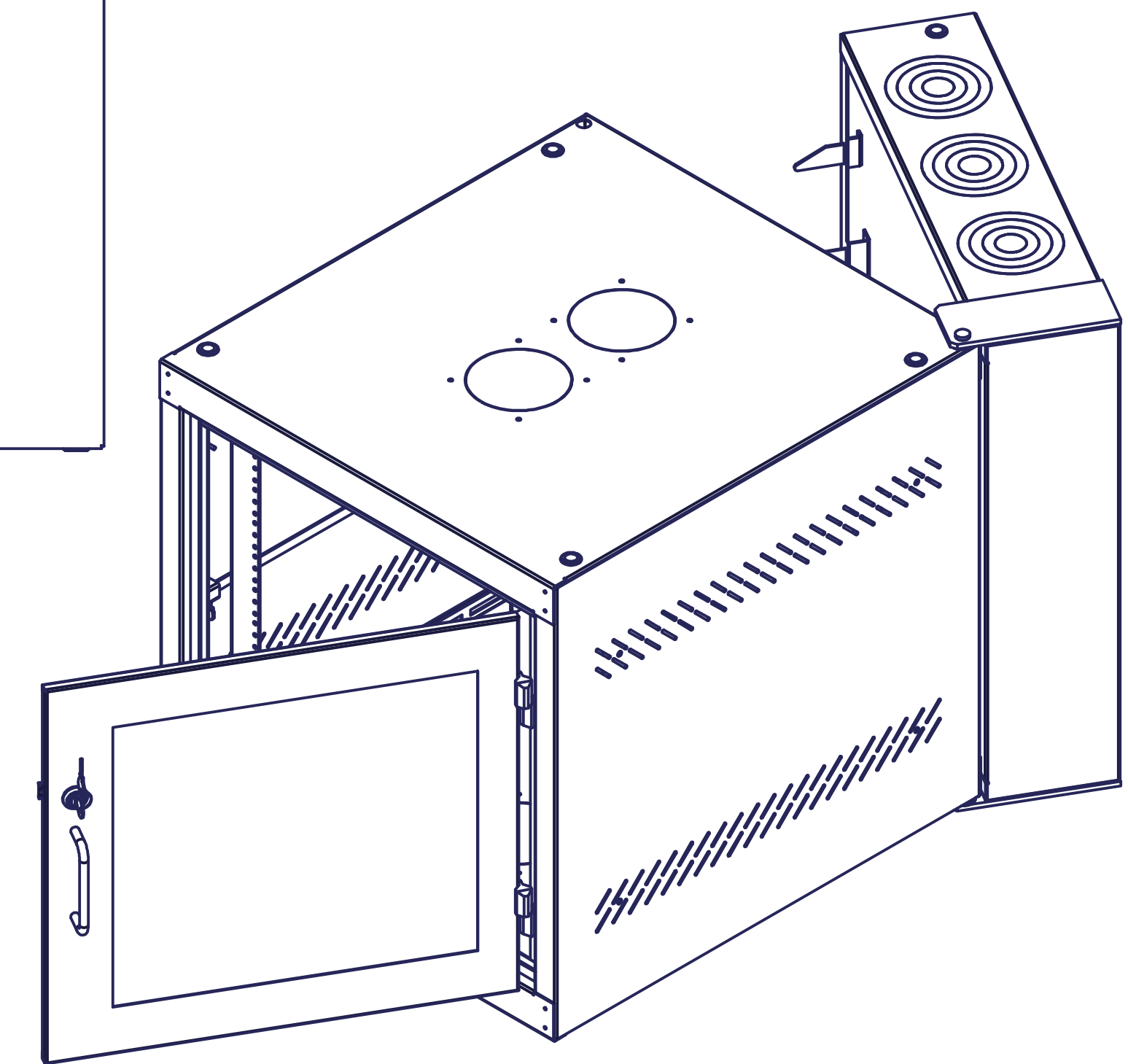
FRONT VIEW (with Door)



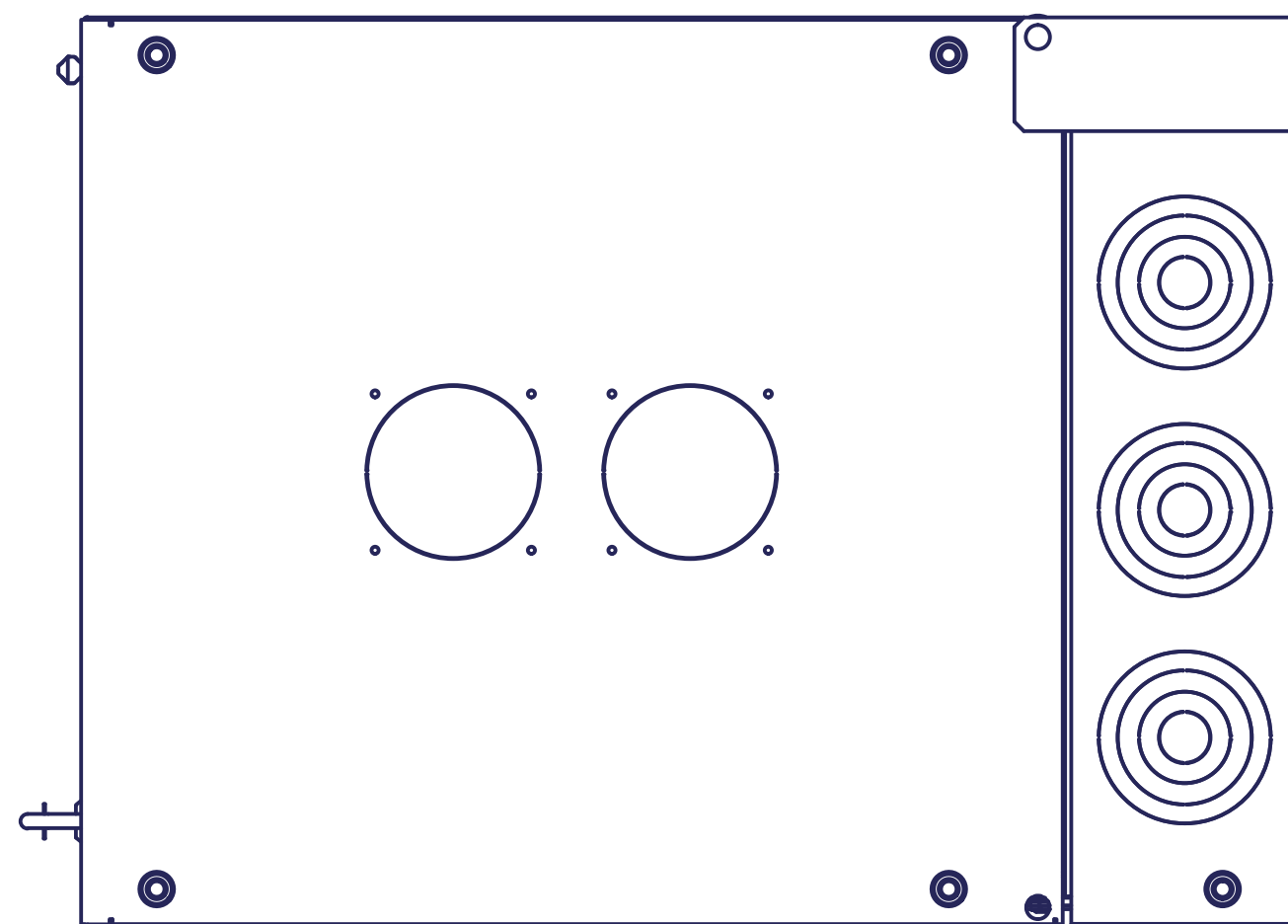
RIGHT SIDE VIEW



BACK VIEW



ISO EXPLODED (with Door)



BOTTOM VIEW

Part No.	Height	Width	Depth	RMU
GL24WD	24.00"	24.00"	32.13"	11
GL36WD	36.00"	24.00"	32.13"	18
GL48WD	48.00"	24.00"	32.13"	25

INTERPRET DRAWING PER ASME Y14.5M-1994
 DIMENSIONAL LIMITS APPLY AFTER APPLICATION OF FINISH
 DRAWING NOT TO SCALE
 TOLERANCE UNLESS OTHERWISE NOTED:
 ANGULAR +/- 1
 .XXXX +/- .010
 .XXX +/- .015
 .XX +/- .030
 X FOR REF. ONLY
 UNLESS OTHERWISE SPECIFIED ALL DIMENSIONS ARE IN INCHES

NOTICE:

Use of this document is subject to a confidentiality and nondisclosure agreement with Great Lakes Case & Cabinet Co., Inc. (GLCC) and may not be reproduced, disclosed or utilized in whole or in part without prior written authorization from GLCC.

PART NUMBER:
 QTY PER UNIT: 1
 MATERIAL TYPE:
 MATERIAL GAUGE:
 FINISH:
 DRAWN DATE:
 CHECKED & APP. DATE:

TITLE: **WD Series Wall Mount**
GREAT LAKES CASE & CABINET CO., INC.
 P.O. BOX 551 EDINBORO, PA 16412
 PHONE (814) 734-7303 FAX (814) 734-3907
 E-MAIL glcc@greatcabinets.com
 DWG NO: **1013250** REV: **0** SHEET: 1 OF 1



THIRD ANGLE PROJECTION