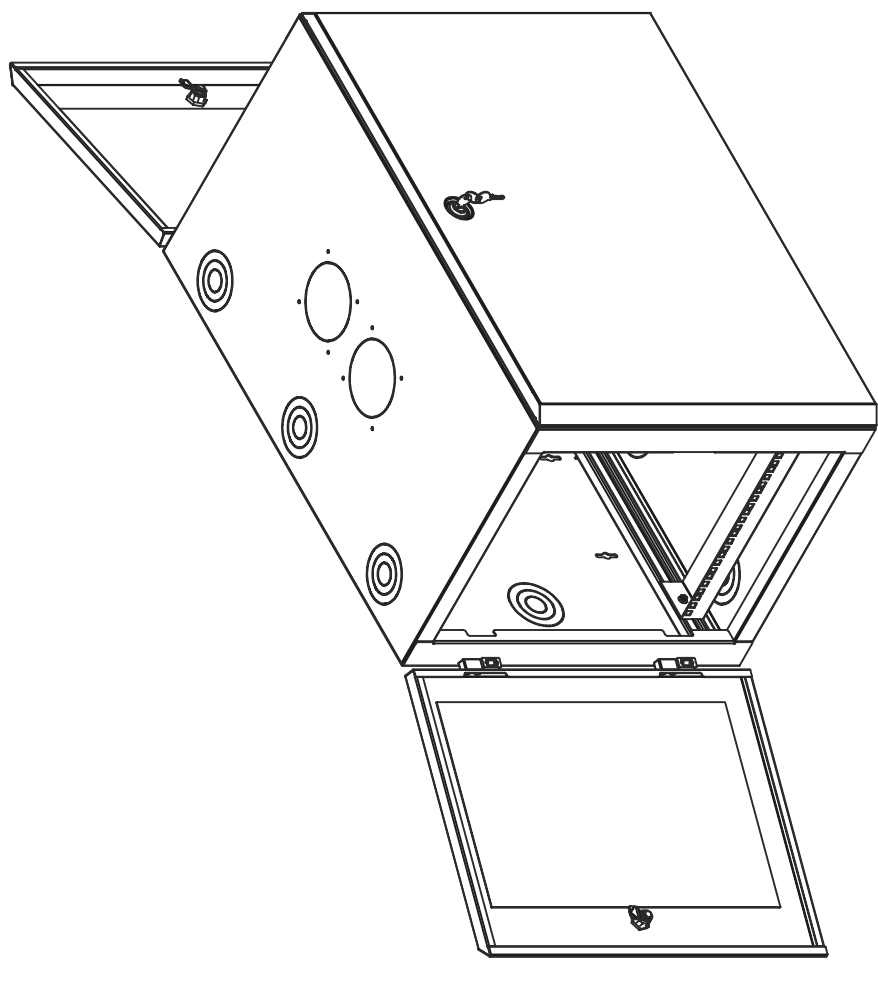
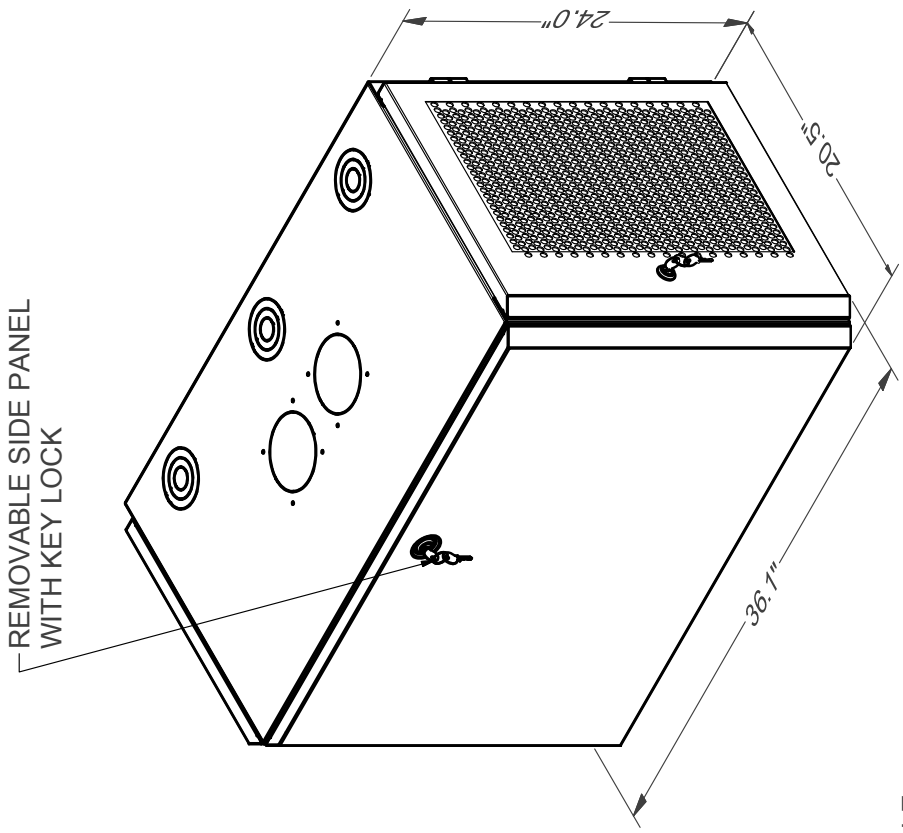
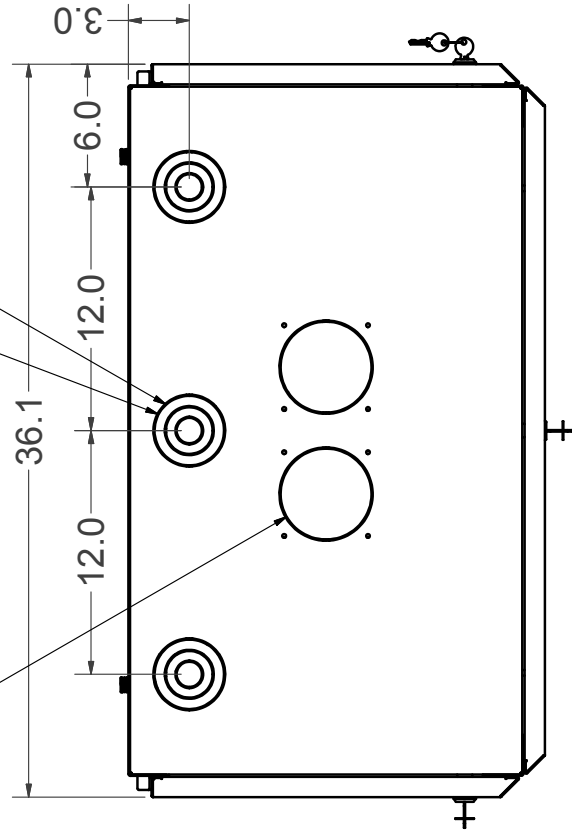
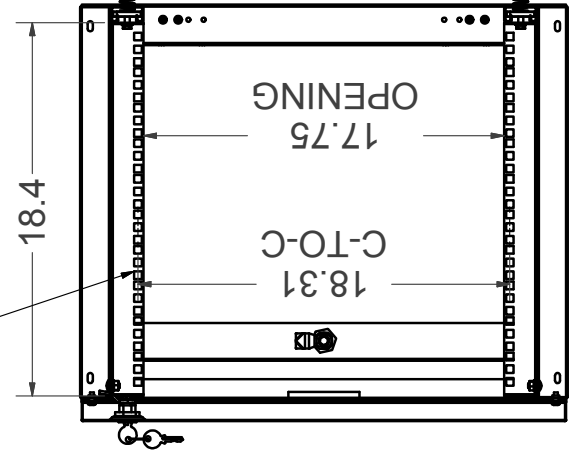
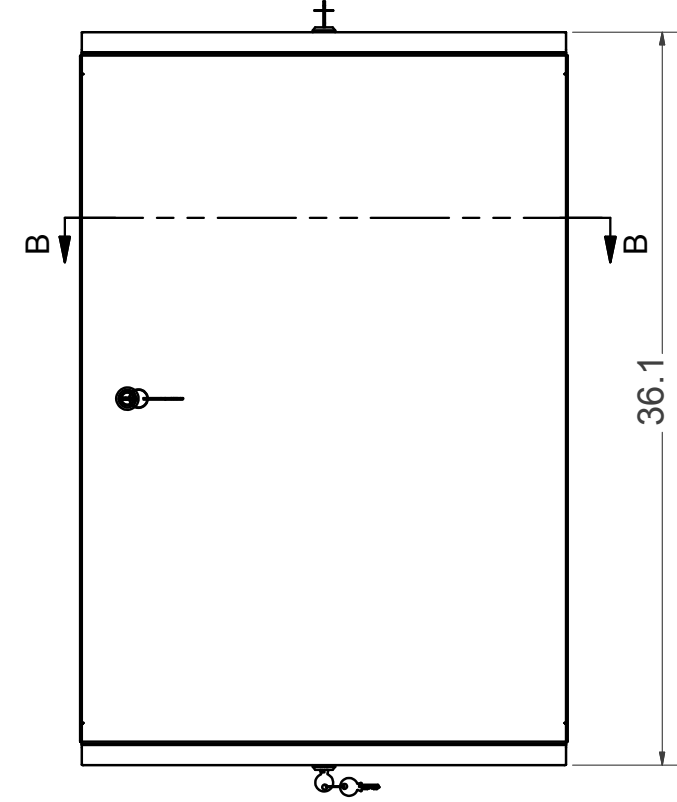


Fan Assembly Provision (7217WS)

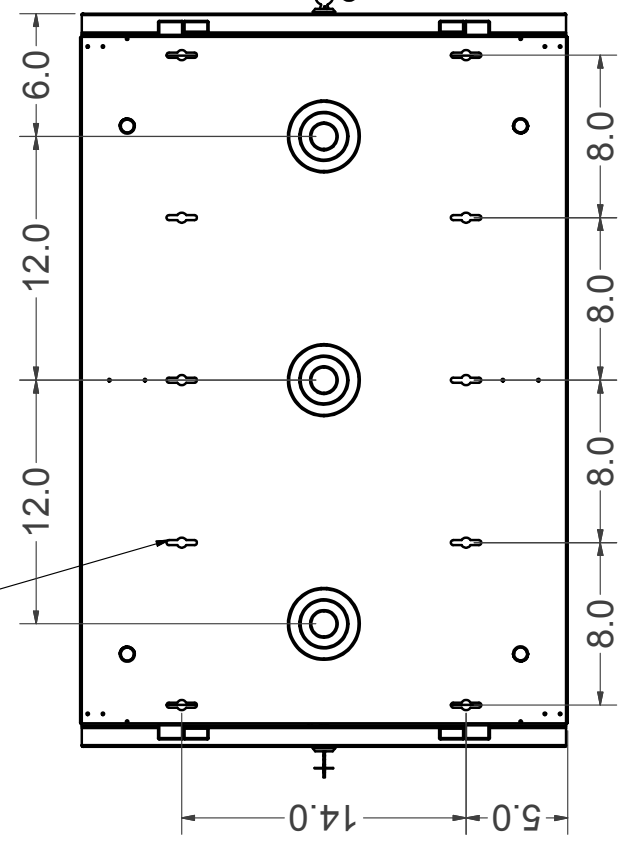
1", 2" and 3" nominal concentric conduit knockout, Typ. 3 top & bottom, Typ. 3 rear 3.5"; 2.4"; 1.4"



3/8" SQ. HOLE MOUNTING



MOUNTING HOLES FOR 1/4" HARDWARE



SECTION B-B

NOTICE:

Use of this document is subject to a confidentiality and nondisclosure agreement with Great Lakes Case & Cabinet Co., Inc. (GLCC) and may not be reproduced, disclosed or utilized in whole or in part without prior written authorization from GLCC.

INTERPRET DRAWING PER ASME Y14.5M-1994
 DIMENSIONAL LIMITS APPLY AFTER APPLICATION OF FINISH
 DRAWING NOT TO SCALE
 TOLERANCE UNLESS OTHERWISE NOTED:
 ANGULAR +/- 1
 XXXX +/- .010
 XX +/- .030
 X FOR REF ONLY
 UNLESS OTHERWISE SPECIFIED ALL DIMENSIONS ARE IN INCHES

THIRD ANGLE PROJECTION

PART NUMBER:	1
QTY PER UNIT:	1
MATERIAL TYPE:	
MATERIAL GAUGE:	
FINISH:	SEE NOTES
DRAWN:	DATE: 1/11/2011
MZ:	DATE: 1/11/2011
CHECKED & APP.:	DATE: 1/11/2011
WSS:	

TITLE:	24WE Wall Mount
GREAT LAKES CASE & CABINET CO., INC. P.O. BOX 551 EDINBORO, PA 16412 PHONE (814) 734-7303 FAX (814) 734-3907 E-MAIL glcc@greatlakes.com	
DWG NO:	1013250
REV:	0
SHEET:	1 OF 1