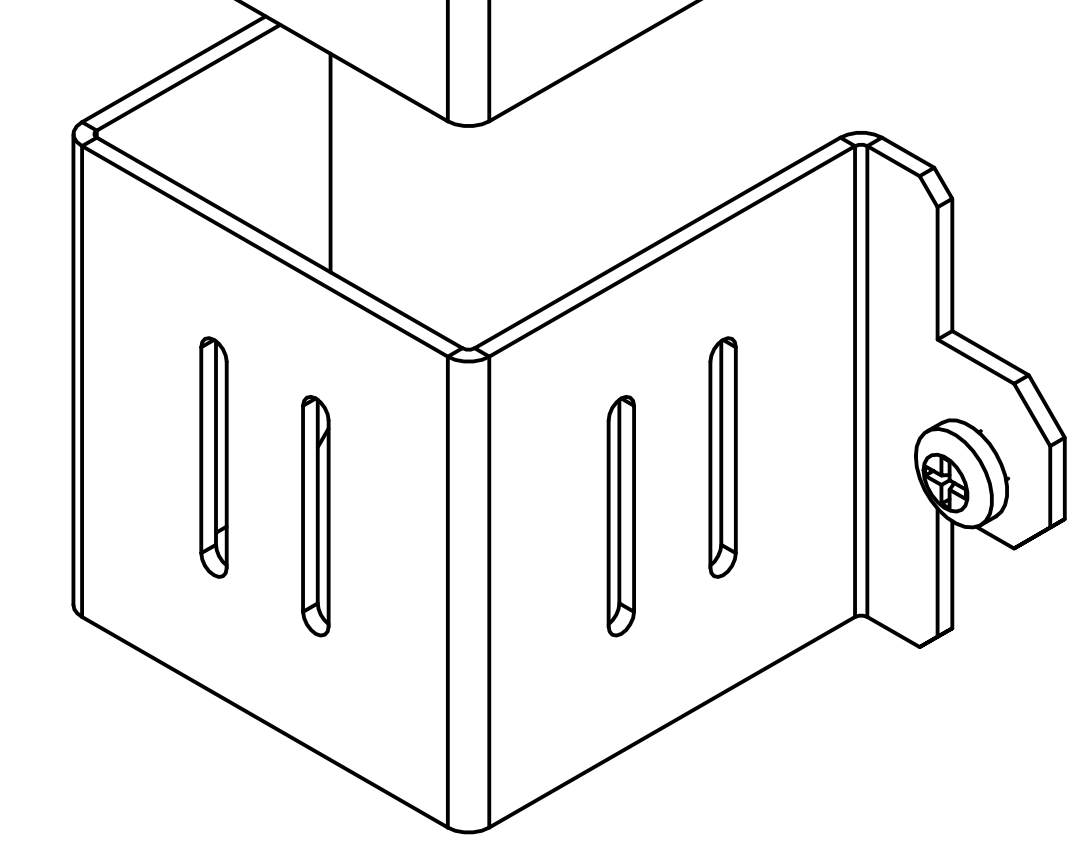
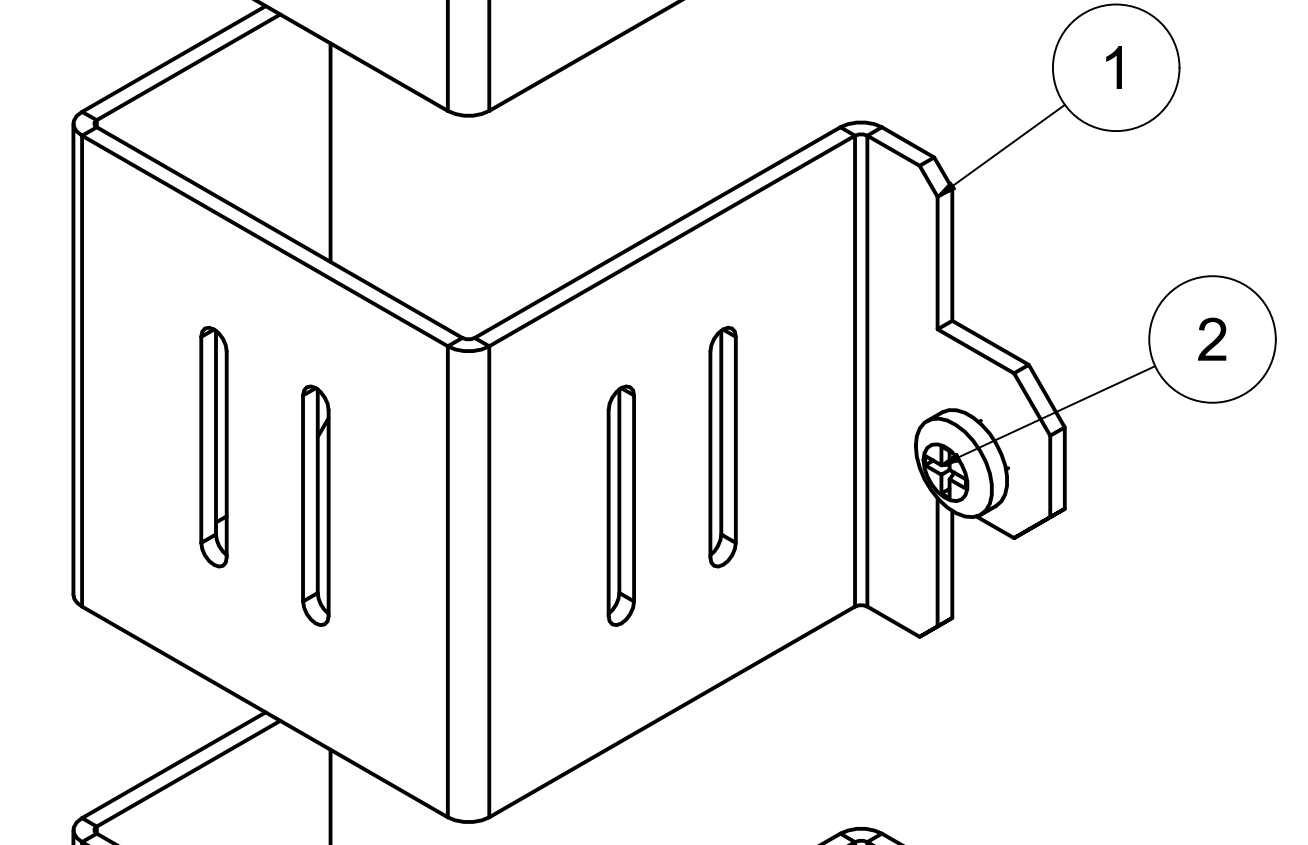
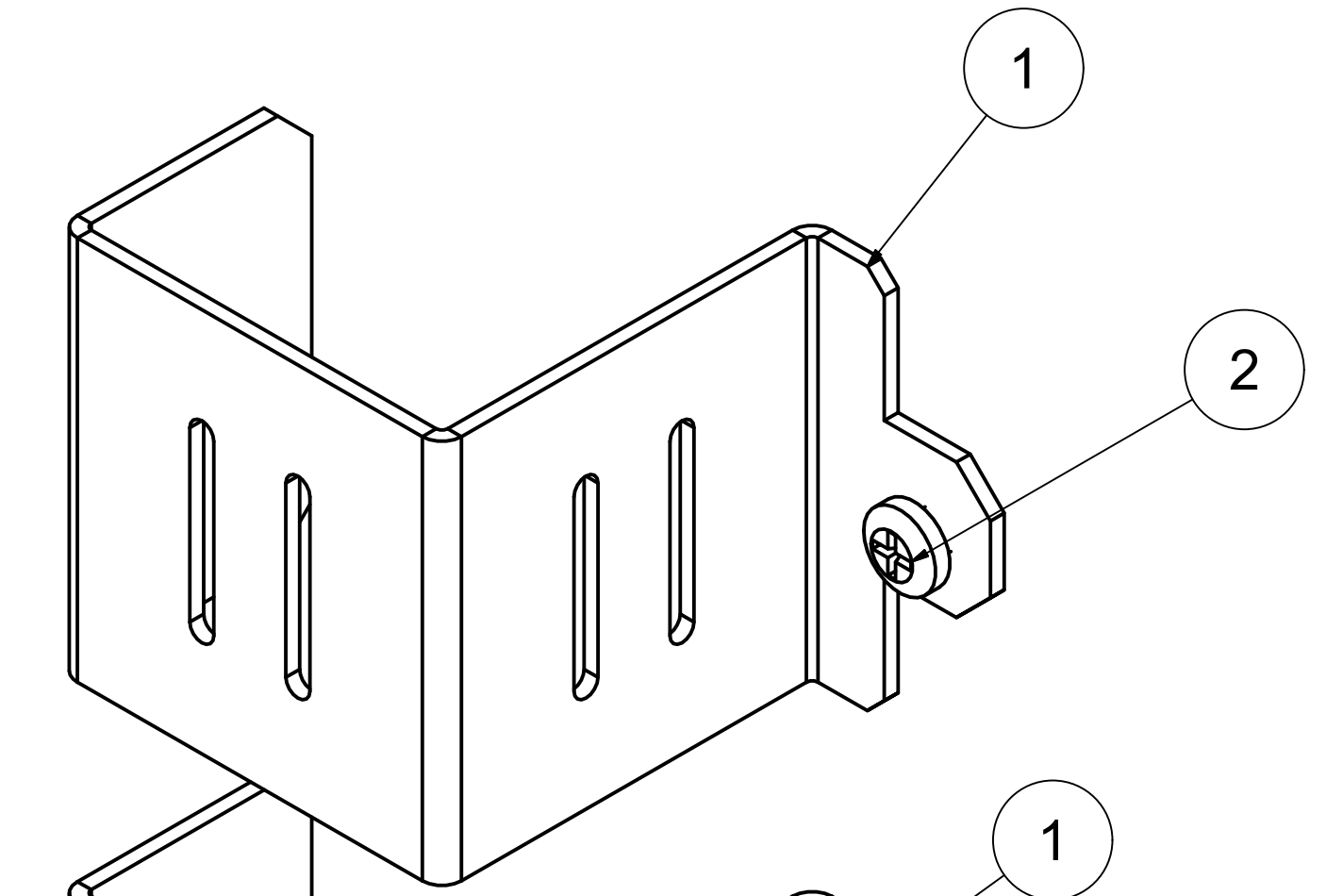
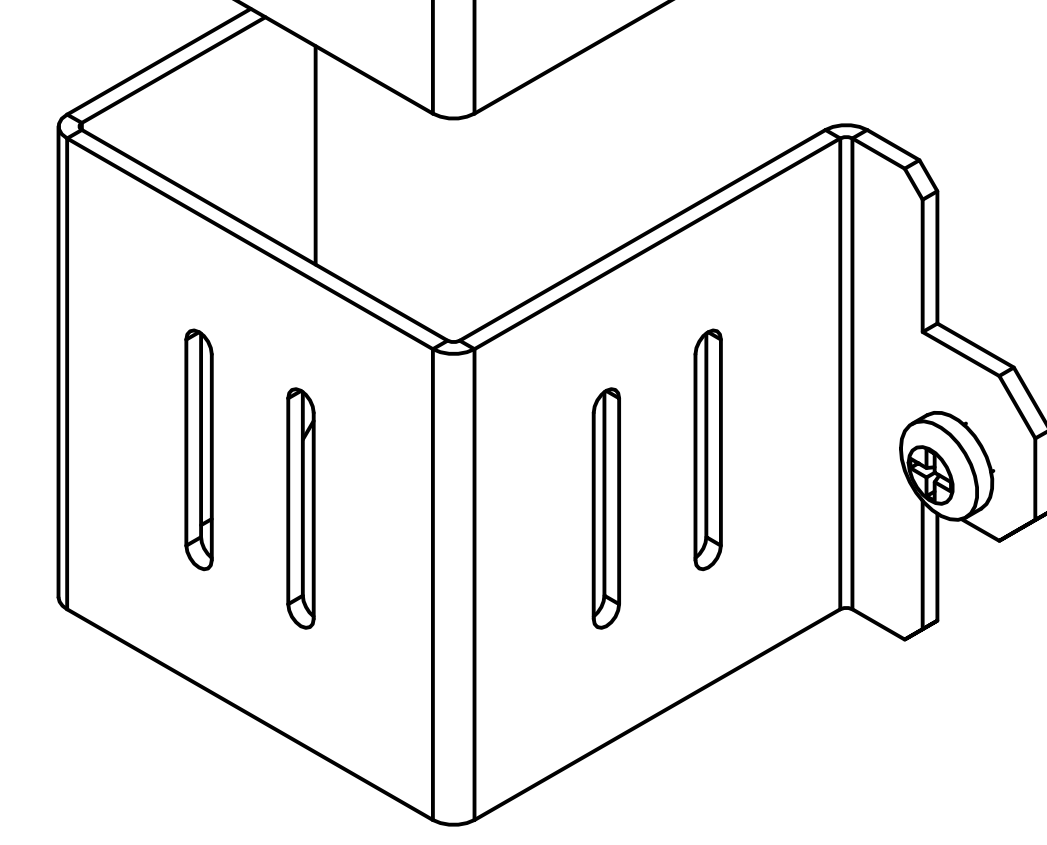
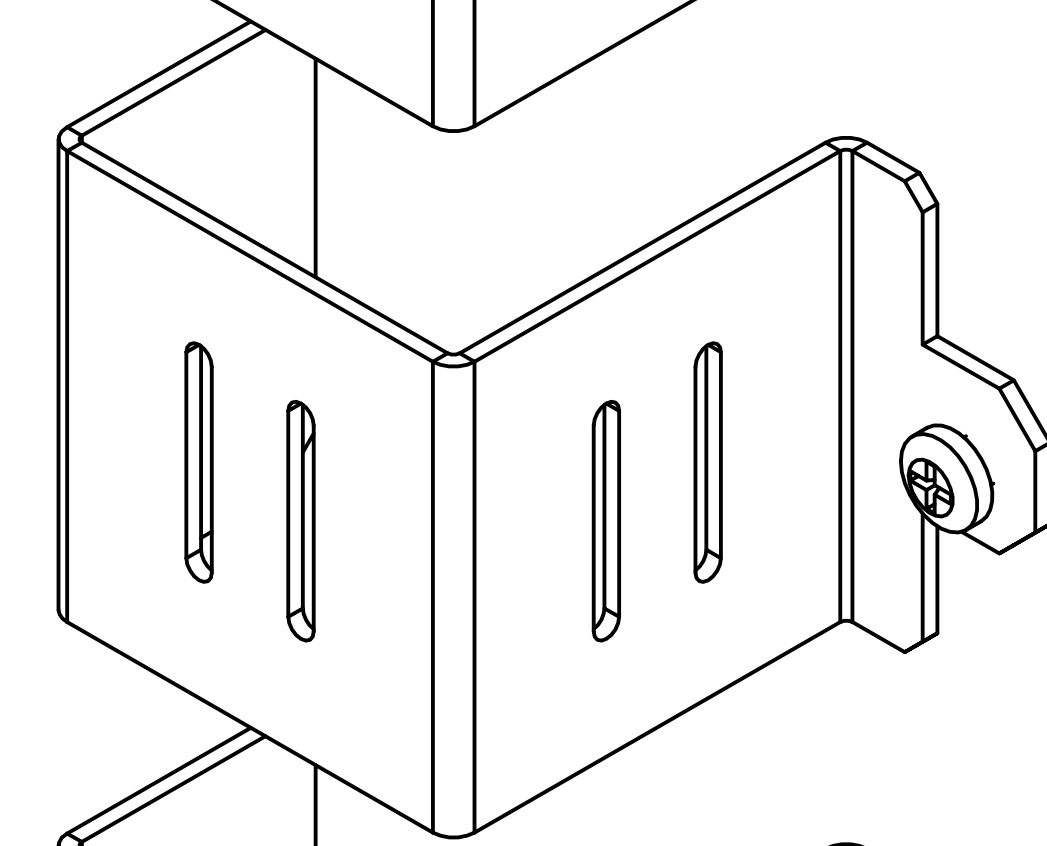
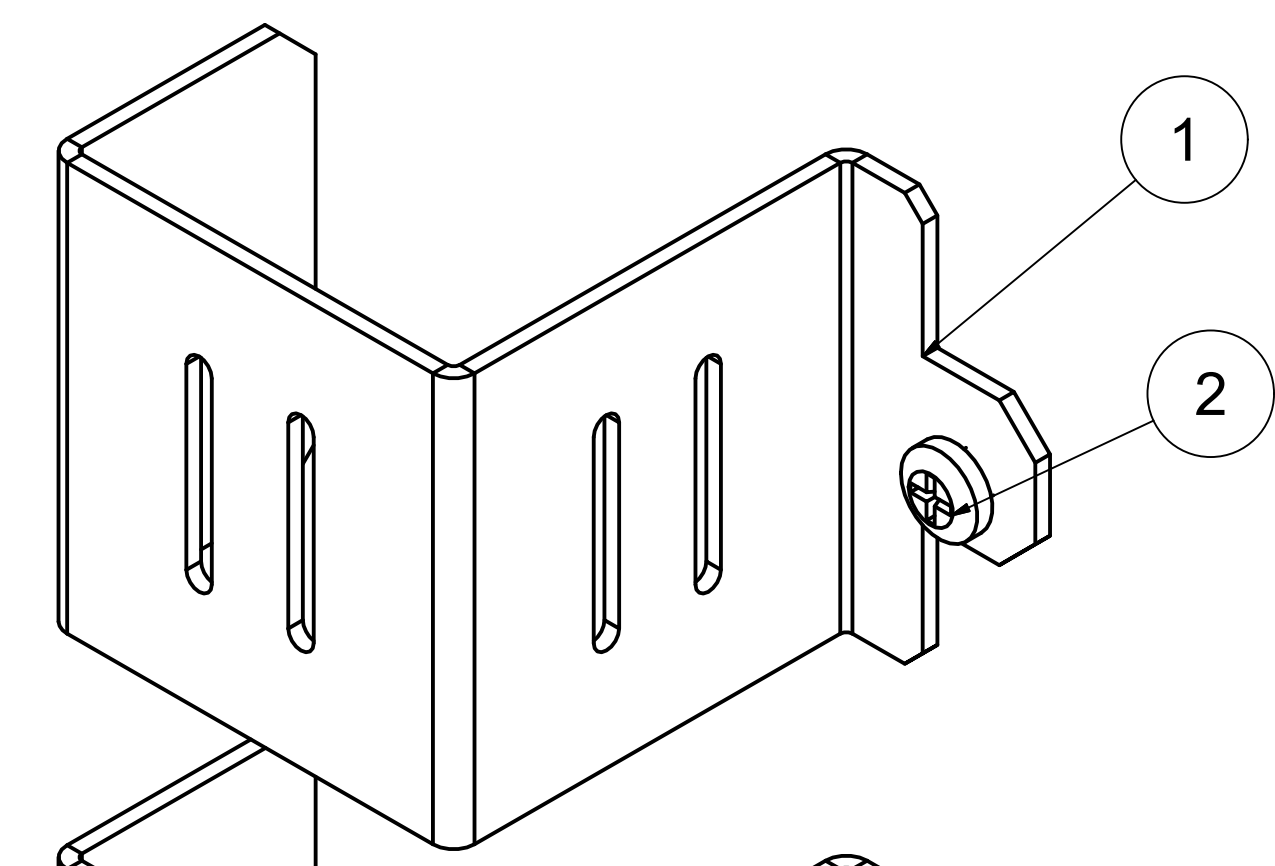
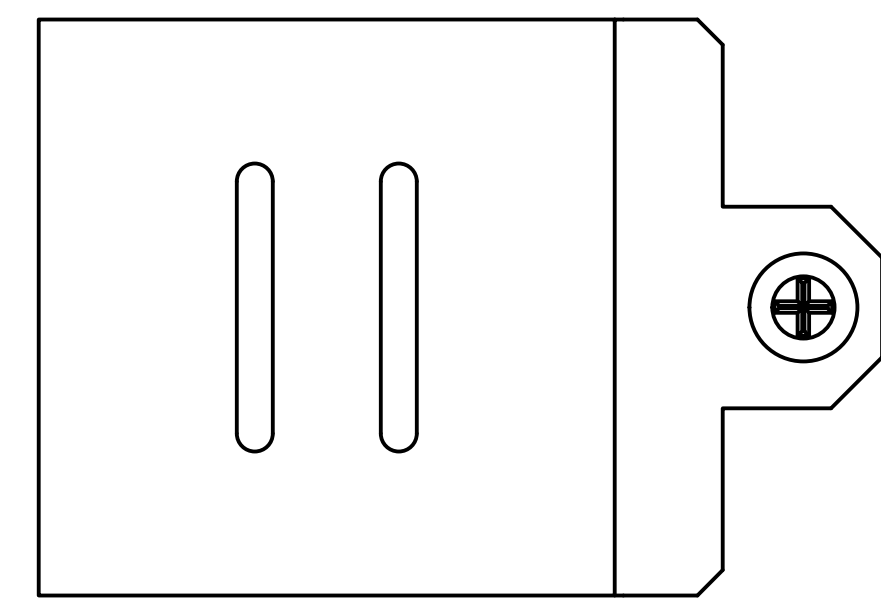
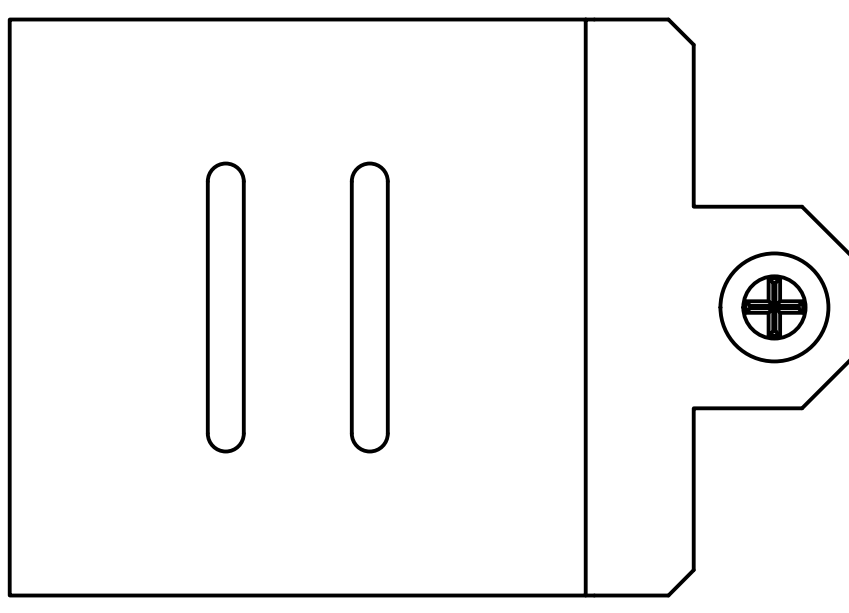
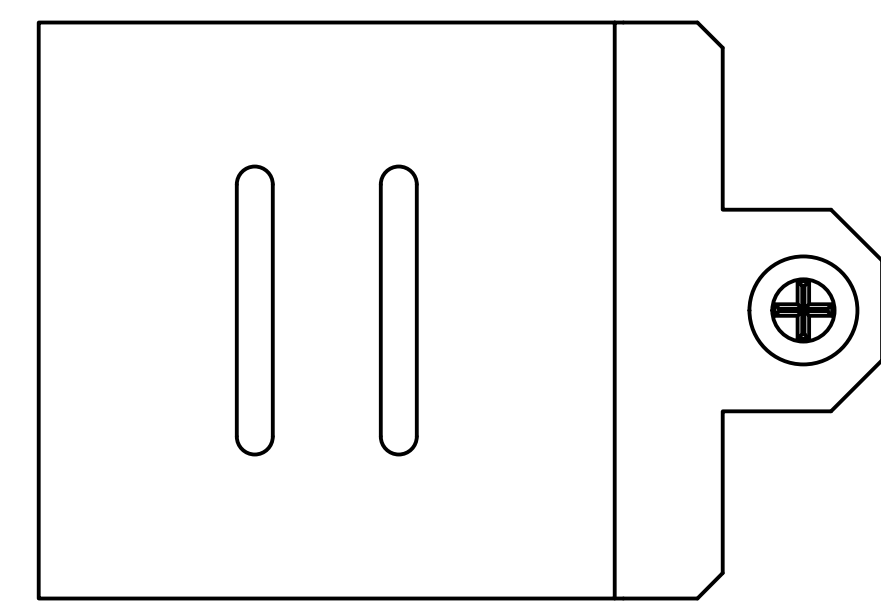
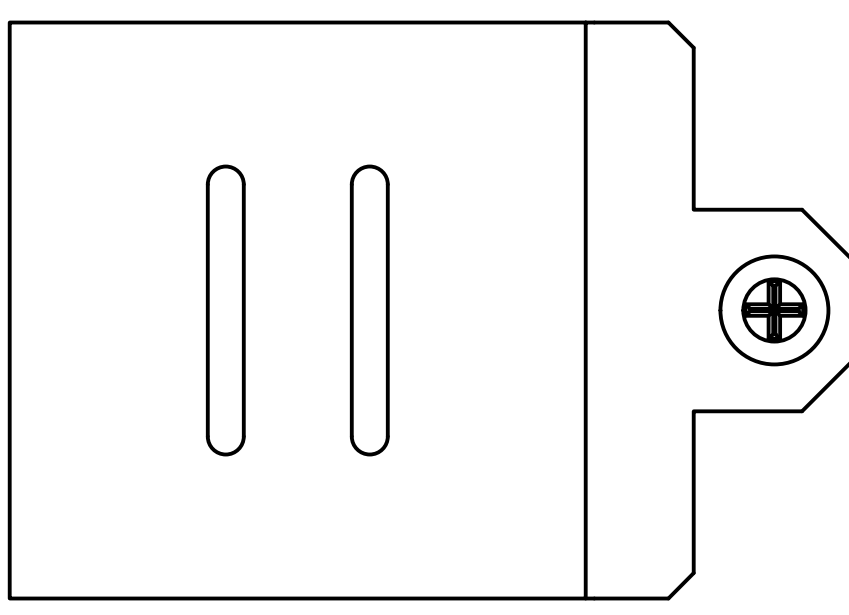
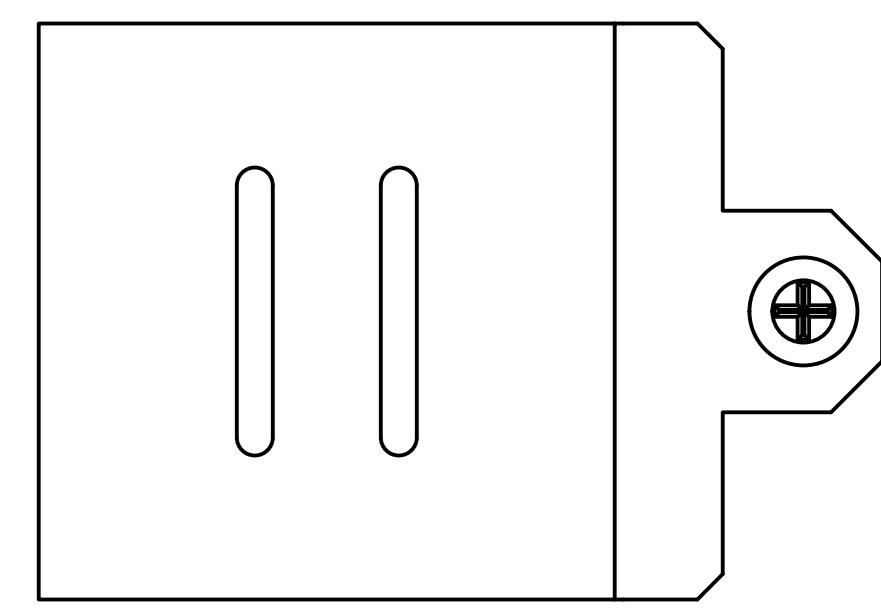
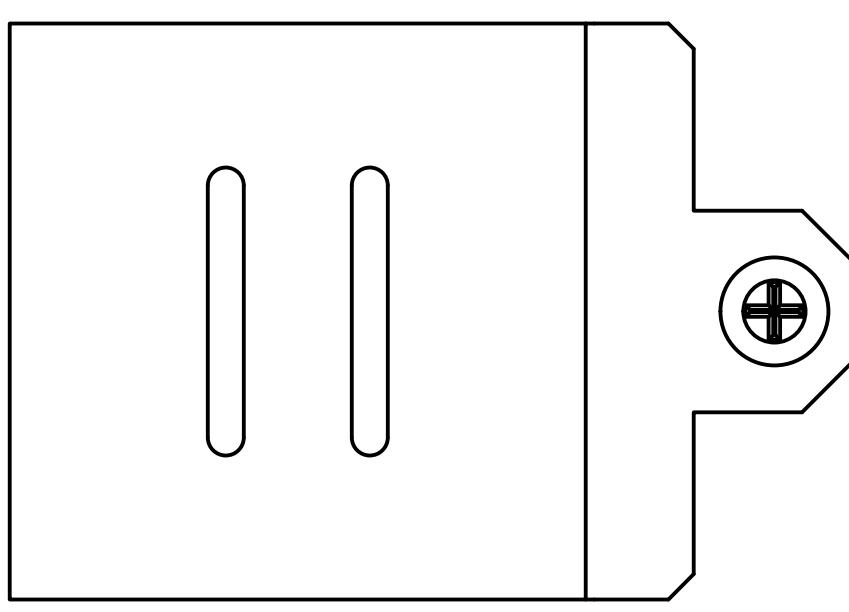


REVISION HISTORY			
REV	DESCRIPTION	DATE	APPROVED
0	ECO-06561	5/15/15	TAD

SPECIAL NOTES:
 1) CREATE HARDWARE PACK FOR SCREWS.
 2) PLACE SHEET METAL COMPONENTS & HARDWARE PACK IN PLASTIC BAG.
 3) TAPE BAG CLOSED & LABEL WITH PART NUMBER.

Bill of Material						
ITEM	PART NUMBER	STOCK NUMBER	QTY	DESCRIPTION	FILE NAME	REV
1	I024361		6	CABLE RING FOR WLP SERIES	I024361.ipt	0
2		H01-073	6	SCREW, 10-32x1/4 PH PAN TYPE 23 BLACK ZINC RoHS	H01-073.ipt	-



EST. WEIGHT :
1.33 lbmass



INTERPRET DRAWING PER ASME Y14.5M-1994
 DIMENSIONAL LIMITS APPLY
 AFTER APPLICATION OF FINISH
 DRAWING NOT TO SCALE
 TOLERANCE UNLESS OTHERWISE NOTED:
 ANGULAR +/- .1°
 .XXXX +/- .010
 .XXX +/- .015
 .XX +/- .030
 .X FOR REF. ONLY
 UNLESS OTHERWISE SPECIFIED
 ALL DIMENSIONS ARE IN INCHES

NOTICE:
 Use of this document is subject to a confidentiality and nondisclosure agreement with Great Lakes Case & Cabinet Co., Inc. (GLCC) and may not be reproduced, disclosed or utilized in whole or in part without prior written authorization from GLCC.

PART NUMBER: WLPCTX100
 QTY PER UNIT: 1
 MATERIAL TYPE: C.R.S.
 MATERIAL GAUGE: SEE DETAIL
 FINISH: SEE DETAIL
 DRAWN: TAD
 DATE: 5/15/2015
 CHECKED & APP: DATE

TITLE: CABLE MANAGEMENT RING KIT, 6 RINGS PER KIT
 GREAT LAKES CASE & CABINET CO., INC.
 P.O. BOX 551 EDINBORO, PA 16412
 PHONE (814) 734-7303 FAX (814) 734-3907
 E-MAIL glcc@greatcabinets.com
 DWG NO: 1024359
 REV: 0
 SHEET: 1 OF 1