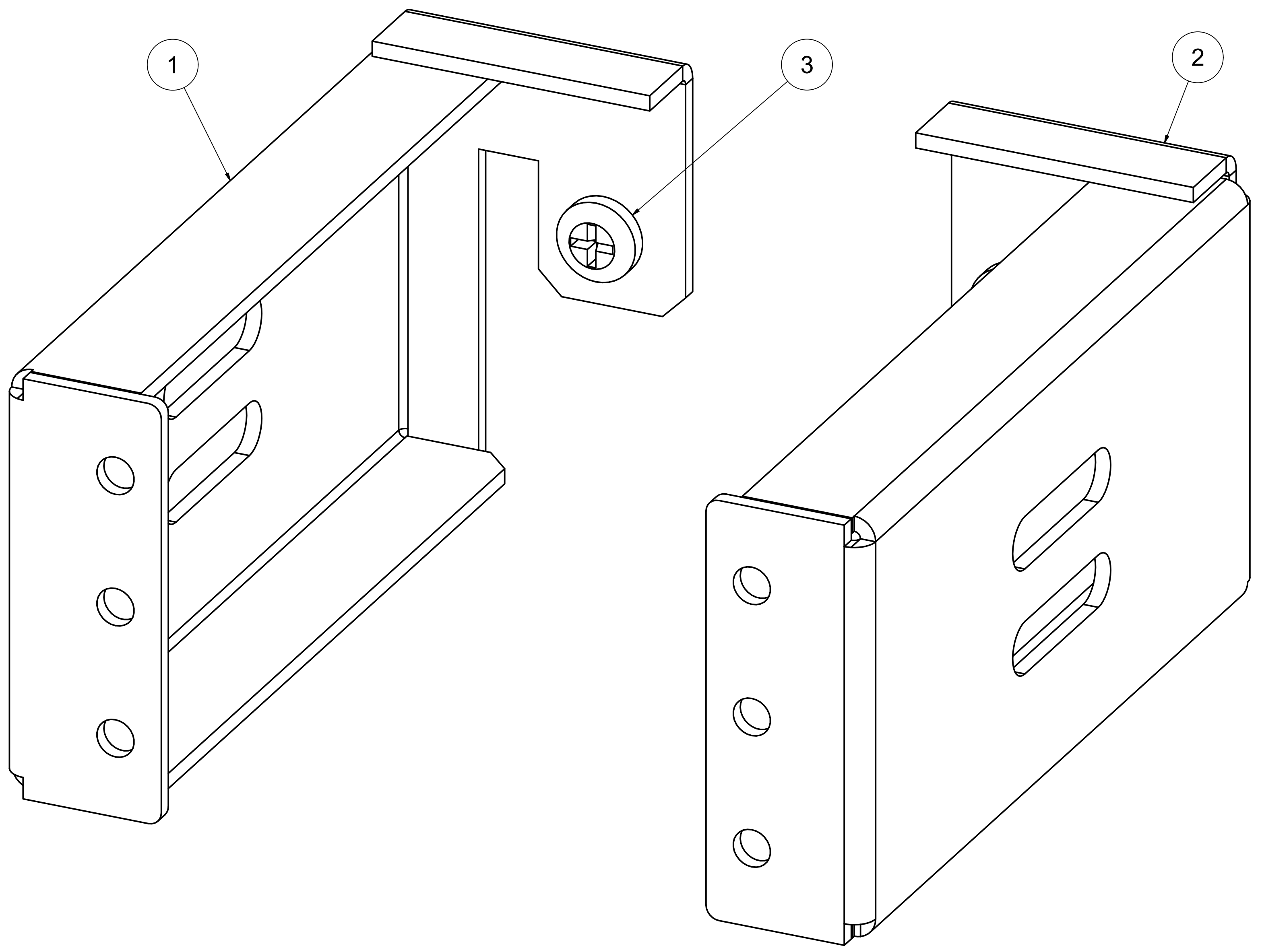


REVISION HISTORY			
REV	DESCRIPTION	DATE	APPROVED
0	ECO-06561	5/12/15	TAD

Bill of Material						
ITEM	PART NUMBER	STOCK NUMBER	QTY	DESCRIPTION	FILE NAME	REV
1	I024384		1	LEFT-HAND (1 RMU) HOOK-MOUNTED BRACKET - DETAIL	I024384.ipt	0
2	I024385		1	RIGHT-HAND (1 RMU) HOOK-MOUNTED BRACKET - DETAIL	I024385.ipt	0
3		H01-073	2	SCREW, 10-32x1/4 PH PAN TYPE 23 BLACK ZINC RoHS	H01-073.ipt	-



SPECIAL NOTE:

- 1) PLEASE REFERENCE PURCHASE ORDER - SPECIAL REQUIREMENTS MAY APPLY!
- 2) THESE PARTS ARE INTENDED TO BE USED AS A SET. BULK WRAP ALONG WITH HARDWARE AS A KIT BEFORE SHIPPING.

INTERPRET DRAWING PER ASME Y14.5M-1994 DIMENSIONAL LIMITS APPLY AFTER APPLICATION OF FINISH DRAWING NOT TO SCALE TOLERANCE UNLESS OTHERWISE NOTED: ANGULAR +/- .1° .XXXX +/- .010 .XXX +/- .015 .XX +/- .030 .X FOR REF. ONLY	NOTICE: Use of this document is subject to a confidentiality and nondisclosure agreement with Great Lakes Case & Cabinet Co., Inc. (GLCC) and may not be reproduced, disclosed or utilized in whole or in part without prior written authorization from GLCC.	PART NUMBER: WLPHMBX100	TITLE (1 RMU) 19"EIA, HOOK-MOUNTED BRACKET SET
		QTY PER UNIT: 1	GREAT LAKES CASE & CABINET CO., INC. P.O. BOX 551 EDINBORO, PA 16412 PHONE (814) 734-7303 FAX (814) 734-3907 E-MAIL glcc@greatcabinets.com
EST. WEIGHT : 0.56 lbmass	THIRD ANGLE PROJECTION	MATERIAL TYPE: CRS MATERIAL GAUGE: SEE DETAILS FINISH: POWDERCOATED	DWG NO: 1024383
		DRAWN DATE TAD 5/12/2015 CHECKED & APP. DATE	REV 0
			SHEET: 1 OF 1