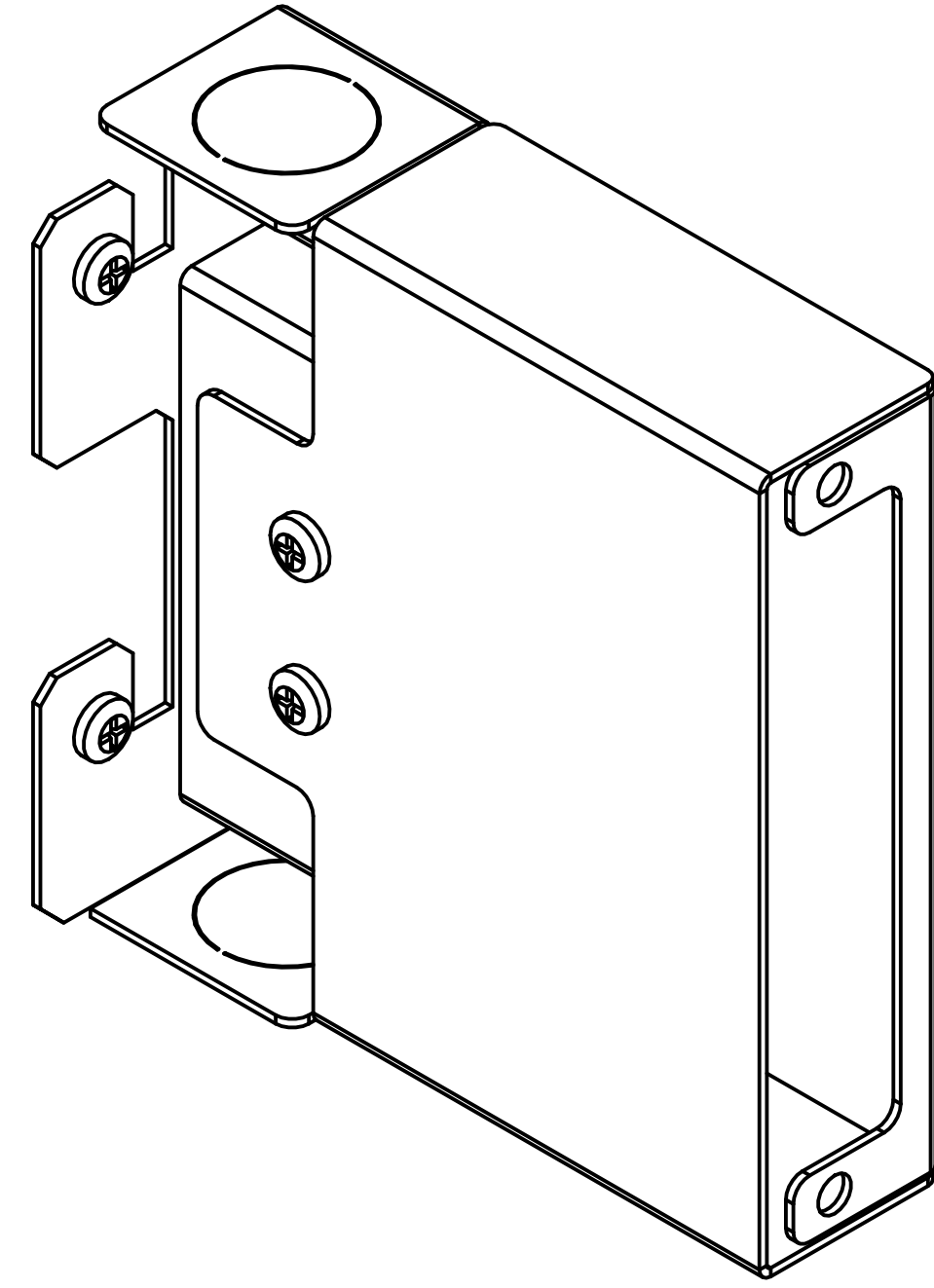
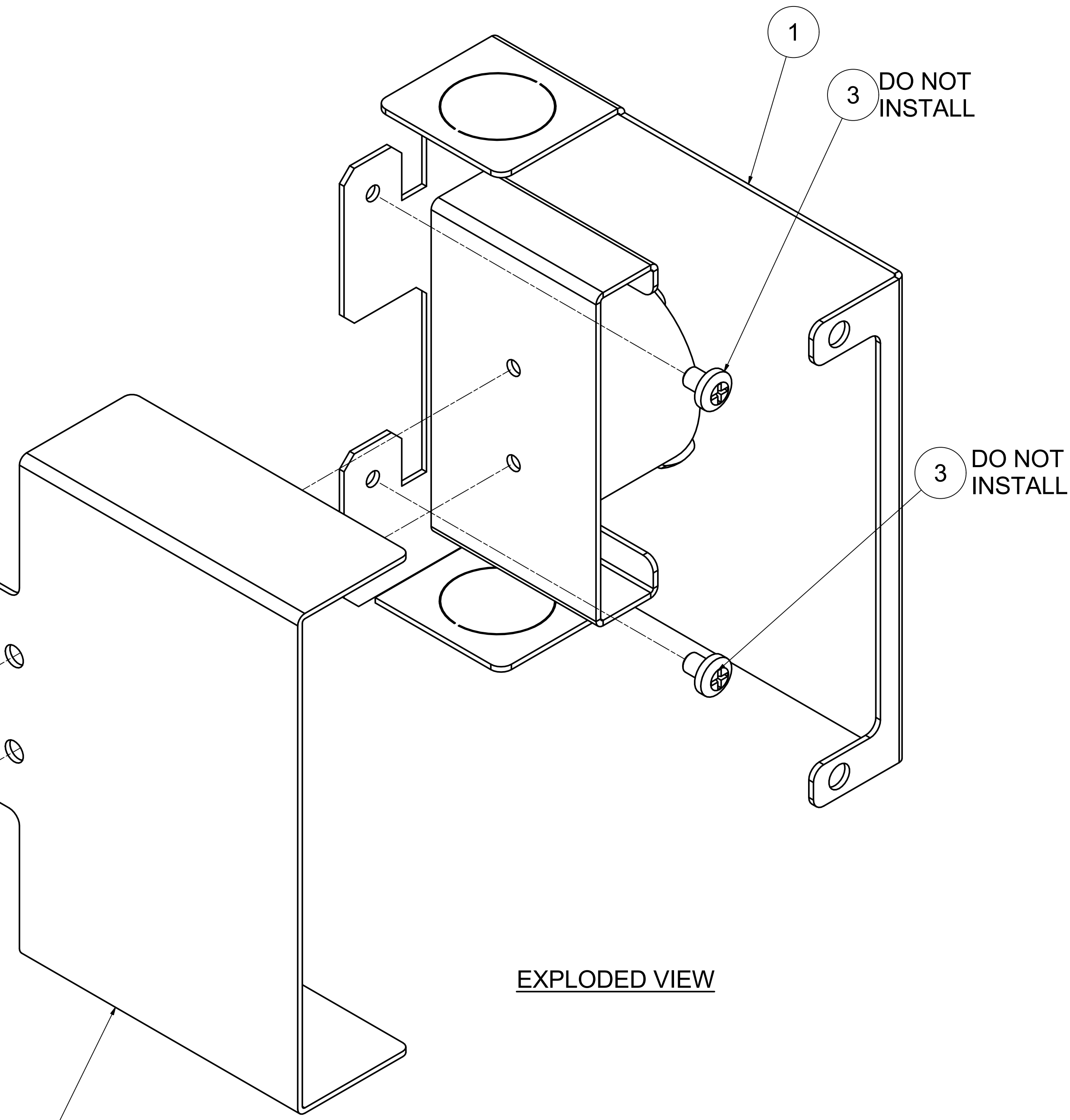


REVISION HISTORY			
REV	DESCRIPTION	DATE	APPROVED
0	ECO-06561	5/13/15	TAD

Bill of Material						
ITEM	PART NUMBER	STOCK NUMBER	QTY	DESCRIPTION	FILE NAME	REV
1	I024392		1	LEFT-HAND FIBER BOX CHASSIS - WELDMENT	I024392.iam	0
2	I024379		1	FIBER BOX COVER DETAIL	I024379.ipt	0
3		H01-073	4	SCREW, 10-32x1/4 PH PAN TYPE 23 BLACK ZINC RoHS	H01-073.ipt	-



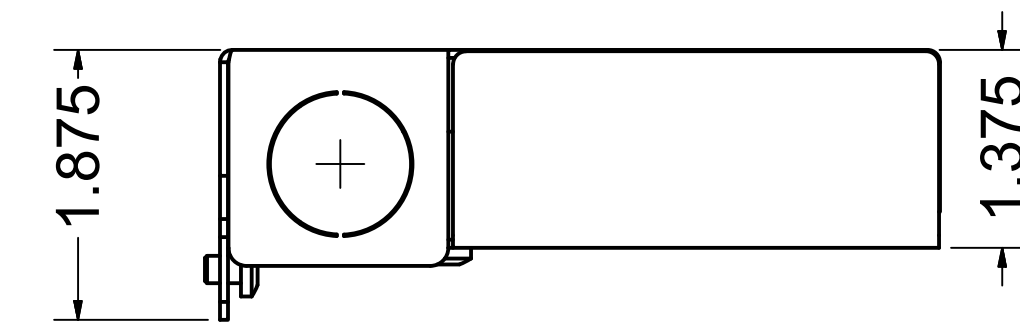
ASSEMBLED VIEW



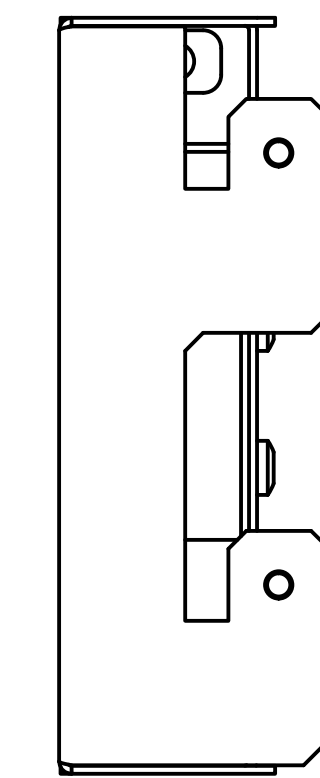
EXPLODED VIEW

**SPECIAL NOTE:**

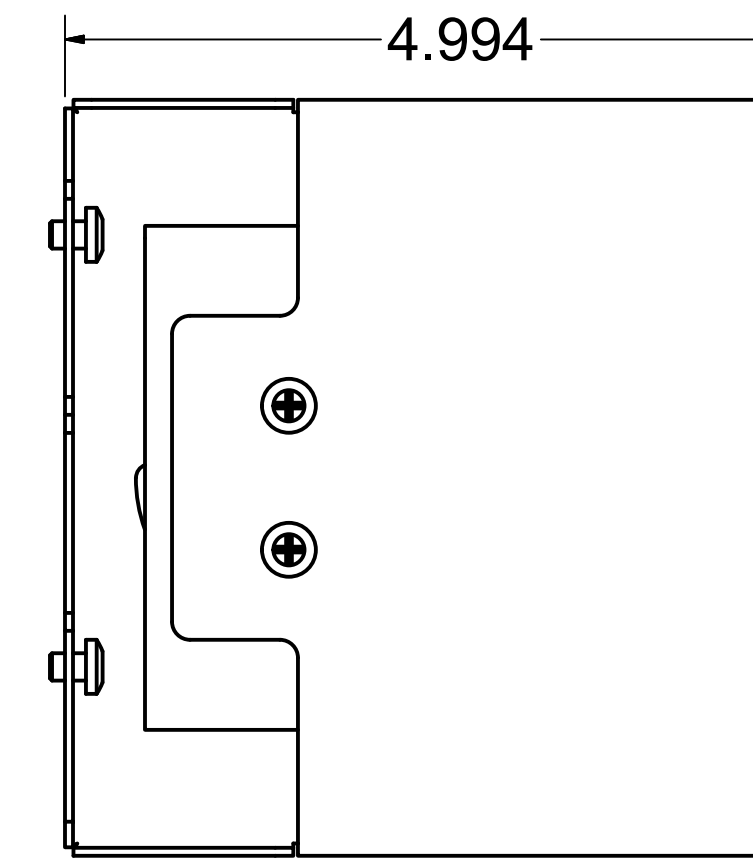
- PLEASE REFERENCE PURCHASE ORDER - SPECIAL REQUIREMENTS MAY APPLY!
- PLACE EXTRA SCREWS IN SMALL PLASTIC BAG TAPED TO ASSEMBLY.



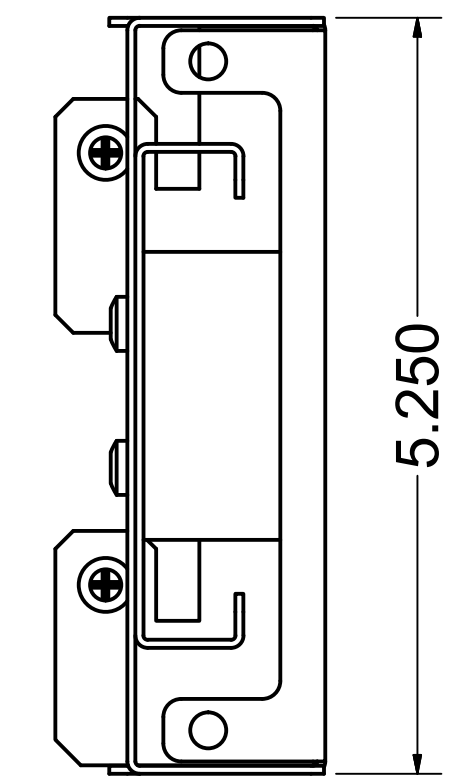
BOTTOM VIEW



BACK VIEW



RIGHTSIDE VIEW



FRONT VIEW

EST. WEIGHT : N/A	INTERPRET DRAWING PER ASME Y14.5M-1994	<b>NOTICE:</b> Use of this document is subject to a confidentiality and nondisclosure agreement with Great Lakes Case & Cabinet Co., Inc. (GLCC) and may not be reproduced, disclosed or utilized in whole or in part without prior written authorization from GLCC.	PART NUMBER: VLPLHFBX100	TITLE: LEFT-HAND HOOK-MOUNTED FIBER BOX - ASSEMBLY
	DIMENSIONAL LIMITS APPLY AFTER APPLICATION OF FINISH DRAWING NOT TO SCALE		QTY PER UNIT: 1	GREAT LAKES CASE & CABINET CO., INC. P.O. BOX 551 EDINBORO, PA 16412 PHONE (814) 734-7303 FAX (814) 734-3907 E-MAIL glcc@greatcabinets.com
THIRD ANGLE PROJECTION	TOLERANCE UNLESS OTHERWISE NOTED: ANGULAR +/- .1" .XXXX +/- .010 .XXX +/- .015 .XX +/- .030 .X FOR REF. ONLY		MATERIAL TYPE: CRS	DATE: 5/13/2015
	UNLESS OTHERWISE SPECIFIED ALL DIMENSIONS ARE IN INCHES		MATERIAL GAUGE: SEE DETAILS	CHECKED & APP. DATE:
			FINISH: POWDERCOATED	DWG NO: 1024391
			REV: 0	SHEET: 1 OF 1