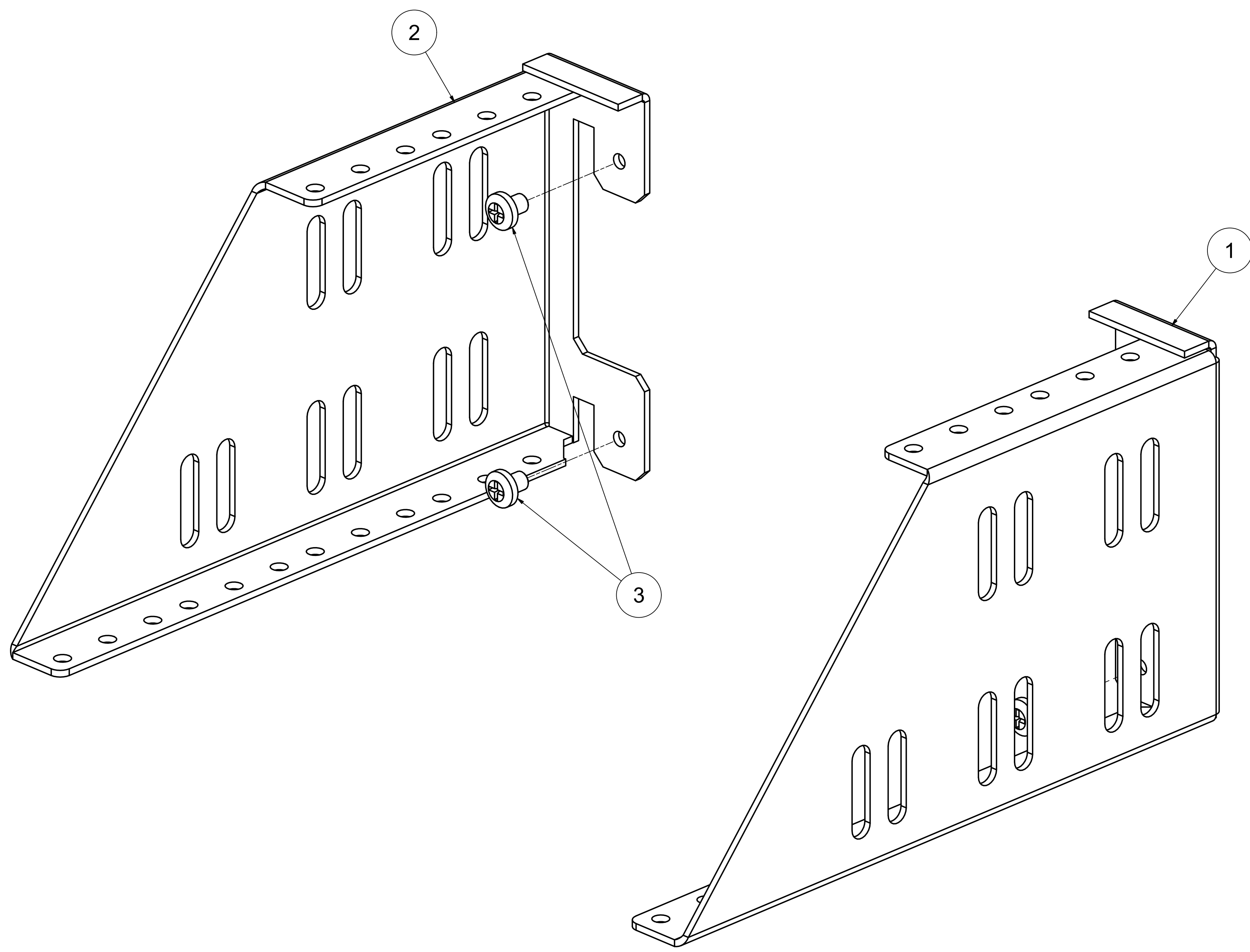


REVISION HISTORY			
REV	DESCRIPTION	DATE	APPROVED
0	ECO-06561	5/12/15	TAD

Bill of Material						
ITEM	PART NUMBER	STOCK NUMBER	QTY	DESCRIPTION	FILE NAME	REV
1	I024382		1	RIGHT-HAND STAGGER BRACKET - DETAIL	I024382.ipt	0
2	I024381		1	LEFT-HAND STAGGER BRACKET - DETAIL	I024381.ipt	0
3		H01-073	4	SCREW, 10-32x1/4 PH PAN TYPE 23 BLACK ZINC RoHS	H01-073.ipt	-



**SPECIAL NOTE:**

- 1) PLEASE REFERENCE PURCHASE ORDER - SPECIAL REQUIREMENTS MAY APPLY!
- 2) THESE PARTS ARE INTENDED TO BE USED AS A SET. BULK WRAP ALONG WITH HARDWARE AS A KIT BEFORE SHIPPING.

INTERPRET DRAWING PER ASME Y14.5M-1994 DIMENSIONAL LIMITS APPLY AFTER APPLICATION OF FINISH DRAWING NOT TO SCALE TOLERANCE UNLESS OTHERWISE NOTED: ANGULAR +/- .1° .XXXX +/- .010 .XXX +/- .015 .XX +/- .030 .X FOR REF. ONLY	<b>NOTICE:</b> Use of this document is subject to a confidentiality and nondisclosure agreement with Great Lakes Case & Cabinet Co., Inc. (GLCC) and may not be reproduced, disclosed or utilized in whole or in part without prior written authorization from GLCC.	PART NUMBER: <b>WLPSBX100</b>	TITLE <b>LEFT &amp; RIGHT HOOK-MOUNTED STAGGER BRACKET SET</b>			
		QTY PER UNIT: 1		MATERIAL TYPE: CRS MATERIAL GAUGE: SEE DETAILS FINISH: POWDERCOATED		
EST. WEIGHT: 1.30 lbmass	THIRD ANGLE PROJECTION	UNLESS OTHERWISE SPECIFIED ALL DIMENSIONS ARE IN INCHES	DRAWN DATE TAD 5/12/2015 CHECKED & APP. DATE	DWG NO. <b>1024380</b>	REV <b>0</b>	SHEET: 1 OF 1

GREAT LAKES CASE & CABINET CO., INC.  
 P.O. BOX 551 EDINBORO, PA 16412  
 PHONE (814) 734-7303 FAX (814) 734-3907  
 E-MAIL glcc@greatcabinets.com