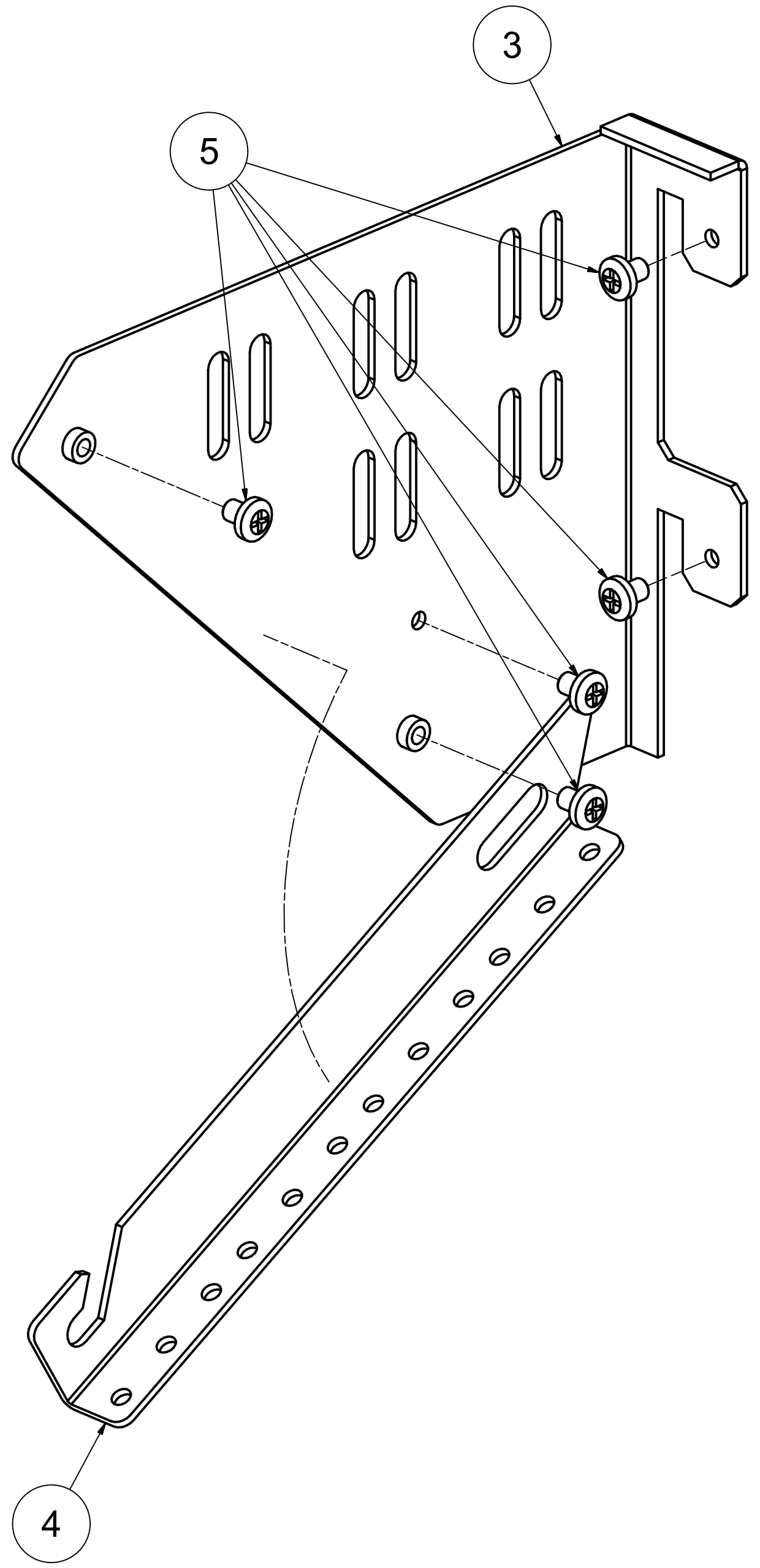
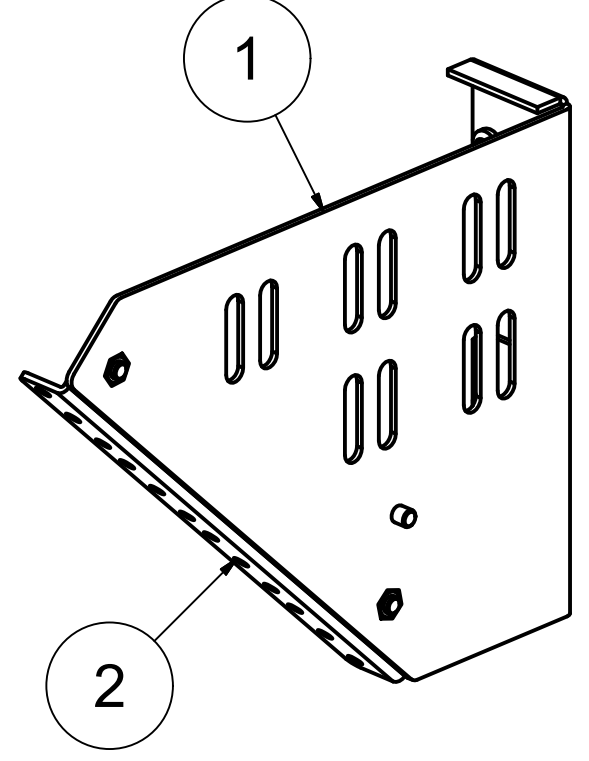
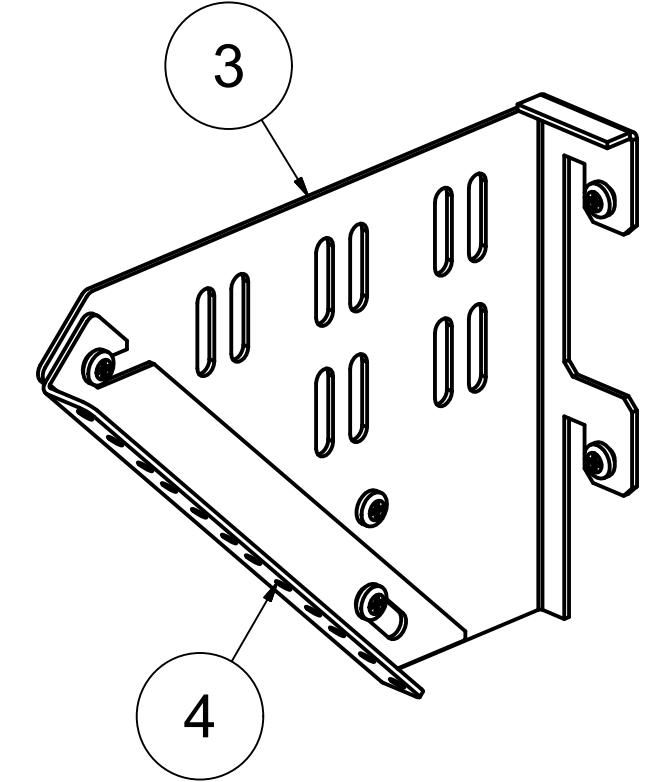
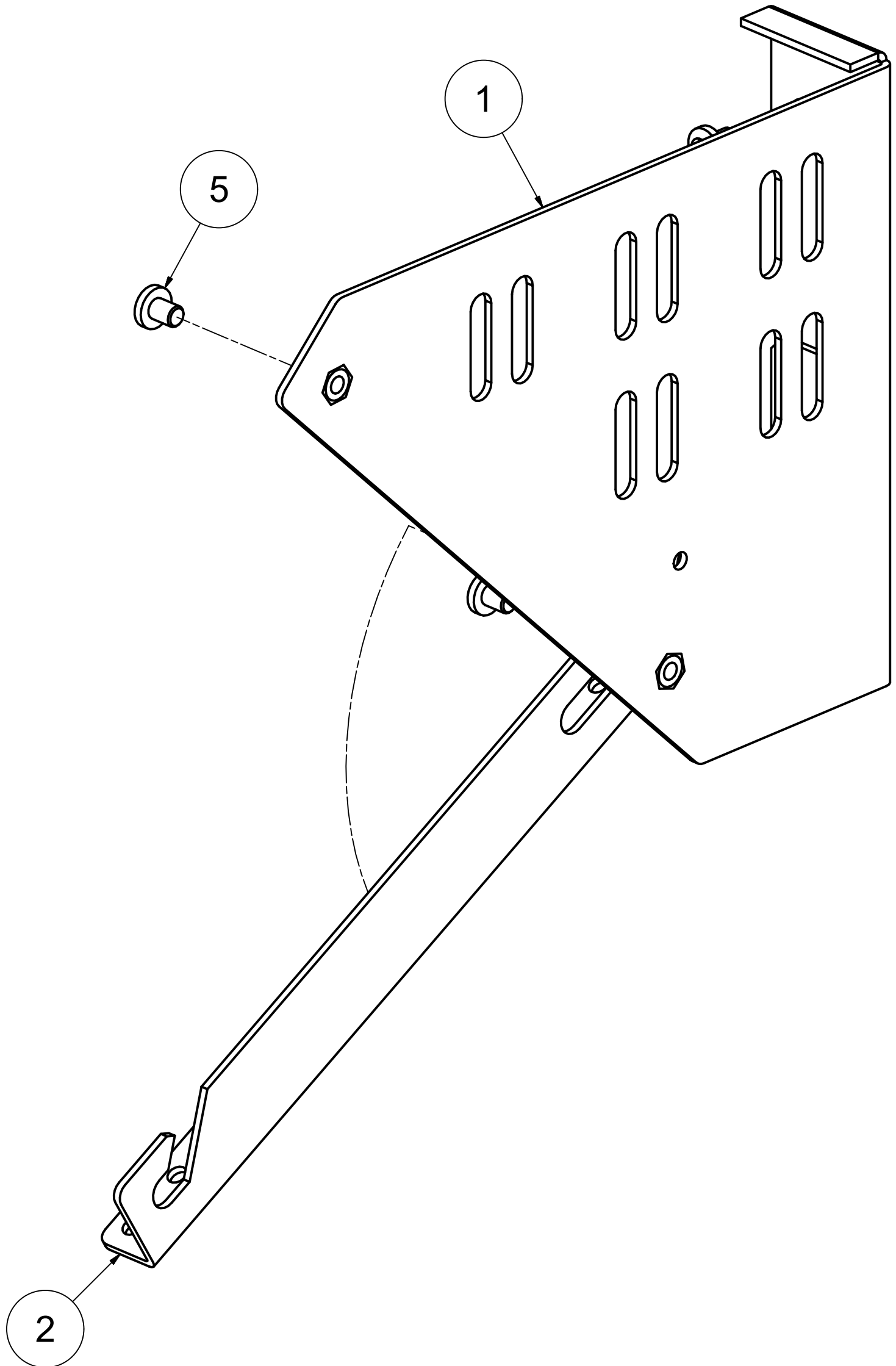


REVISION HISTORY			
REV	DESCRIPTION	DATE	APPROVED
0	ECO-06561	5/12/15	TAD
1	ECO-06651	8/4/2015	VL

Bill of Material						
ITEM	PART NUMBER	STOCK NUMBER	QTY	DESCRIPTION	FILE NAME	REV
1	I024390		1	RIGHT-HAND TILT BRACKET BACK	I024390.iam	1
2	I024389		1	RIGHT-HAND TILT BRACKET - DETAIL	I024389.ipt	0
3	I024388		1	LEFT-HAND TILT BRACKET BACK	I024388.iam	1
4	I024387		1	LEFT-HAND TILT BRACKET - DETAIL	I024387.ipt	0
5		H01-073	10	SCREW, 10-32x1/4 PH PAN TYPE 23 BLACK ZINC RoHS	H01-073.ipt	-



**EXPLODED VIEW**



**ASSEMBLED VIEW**

**SPECIAL NOTE:**

- 1) PLEASE REFERENCE PURCHASE ORDER - SPECIAL REQUIREMENTS MAY APPLY!
- 2) THESE PARTS ARE INTENDED TO BE USED AS A SET. BULK WRAP ALONG WITH HARDWARE AS A KIT BEFORE SHIPPING.

EST. WEIGHT :  
1.80 lbmass



INTERPRET DRAWING PER ASME Y14.5M-1994  
DIMENSIONAL LIMITS APPLY  
AFTER APPLICATION OF FINISH  
DRAWING NOT TO SCALE  
TOLERANCE UNLESS OTHERWISE NOTED:  
ANGULAR +/- .1°  
.XXXX +/- .010  
.XXX +/- .015  
.XX +/- .030  
.X FOR REF. ONLY  
UNLESS OTHERWISE SPECIFIED  
ALL DIMENSIONS ARE IN INCHES

**NOTICE:**  
Use of this document is subject to a confidentiality and nondisclosure agreement with Great Lakes Case & Cabinet Co., Inc. (GLCC) and may not be reproduced, disclosed or utilized in whole or in part without prior written authorization from GLCC.

PART NUMBER:  
WLPTOBX100  
QTY PER UNIT: 1  
MATERIAL TYPE:  
CRS  
MATERIAL GAUGE:  
SEE DETAILS  
FINISH: POWDERCOATED  
DRAWN DATE: 5/12/2015  
TAD DATE: 5/12/2015  
CHECKED & APP. DATE:

TITLE  
**(4 RMU) TILT-OUT BRACKET SET**  
GREAT LAKES CASE & CABINET CO., INC.  
P.O. BOX 551 EDINBORO, PA 16412  
PHONE (814) 734-7303 FAX (814) 734-3907  
E-MAIL glcc@greatcabinets.com  
DWG NO: **1024386**  
REV: **1**  
SHEET: 1 OF 1