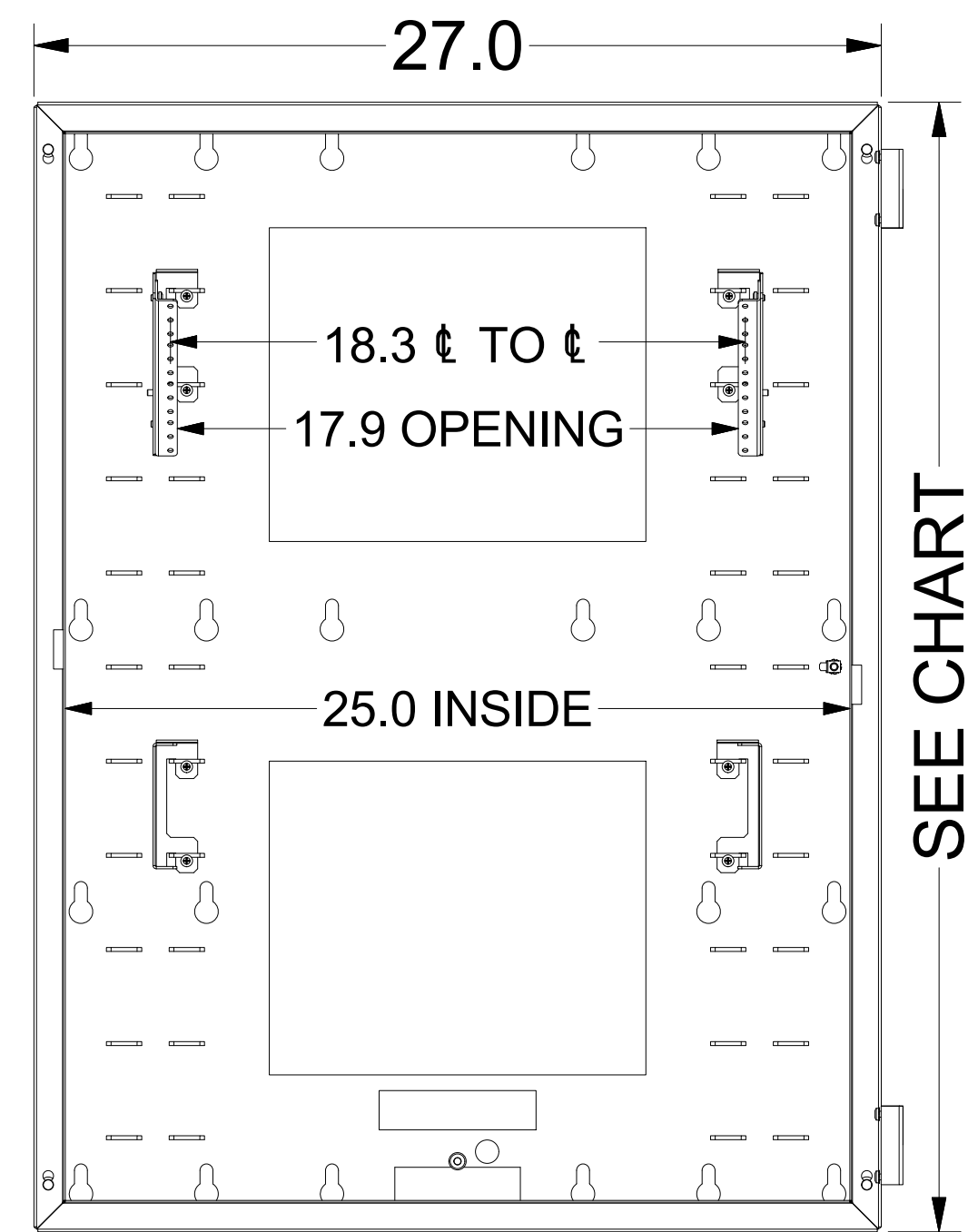
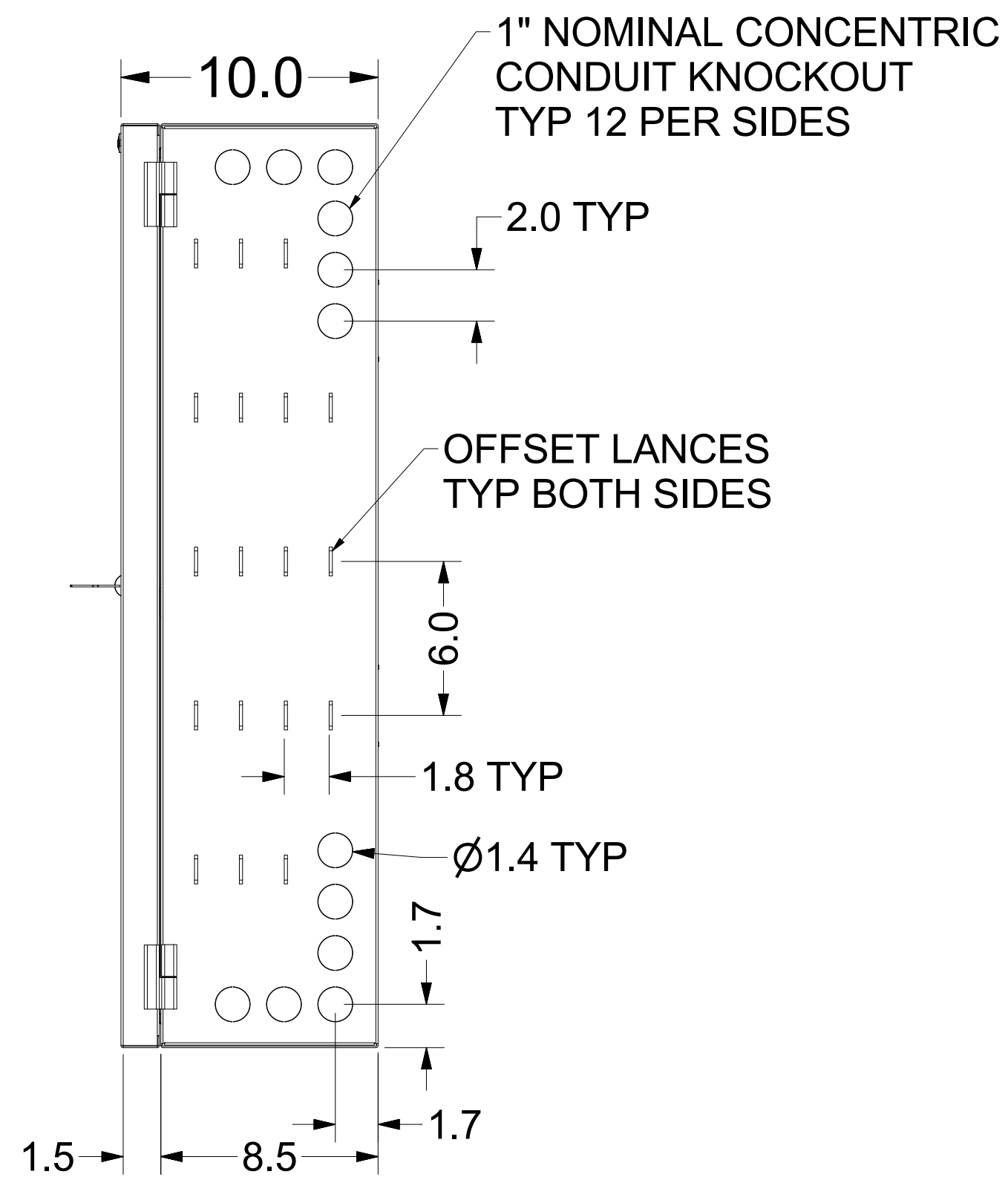


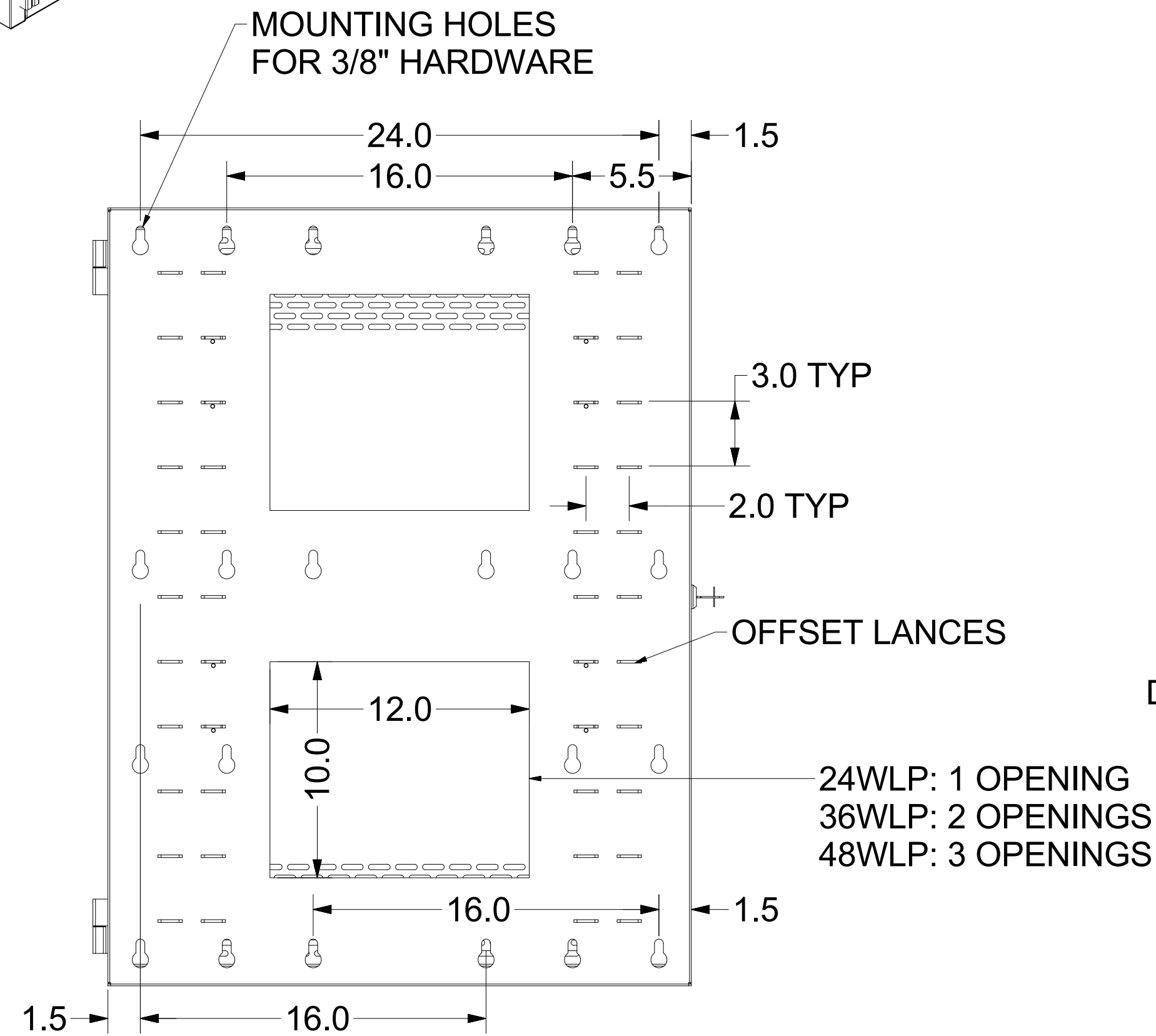
TOP VIEW



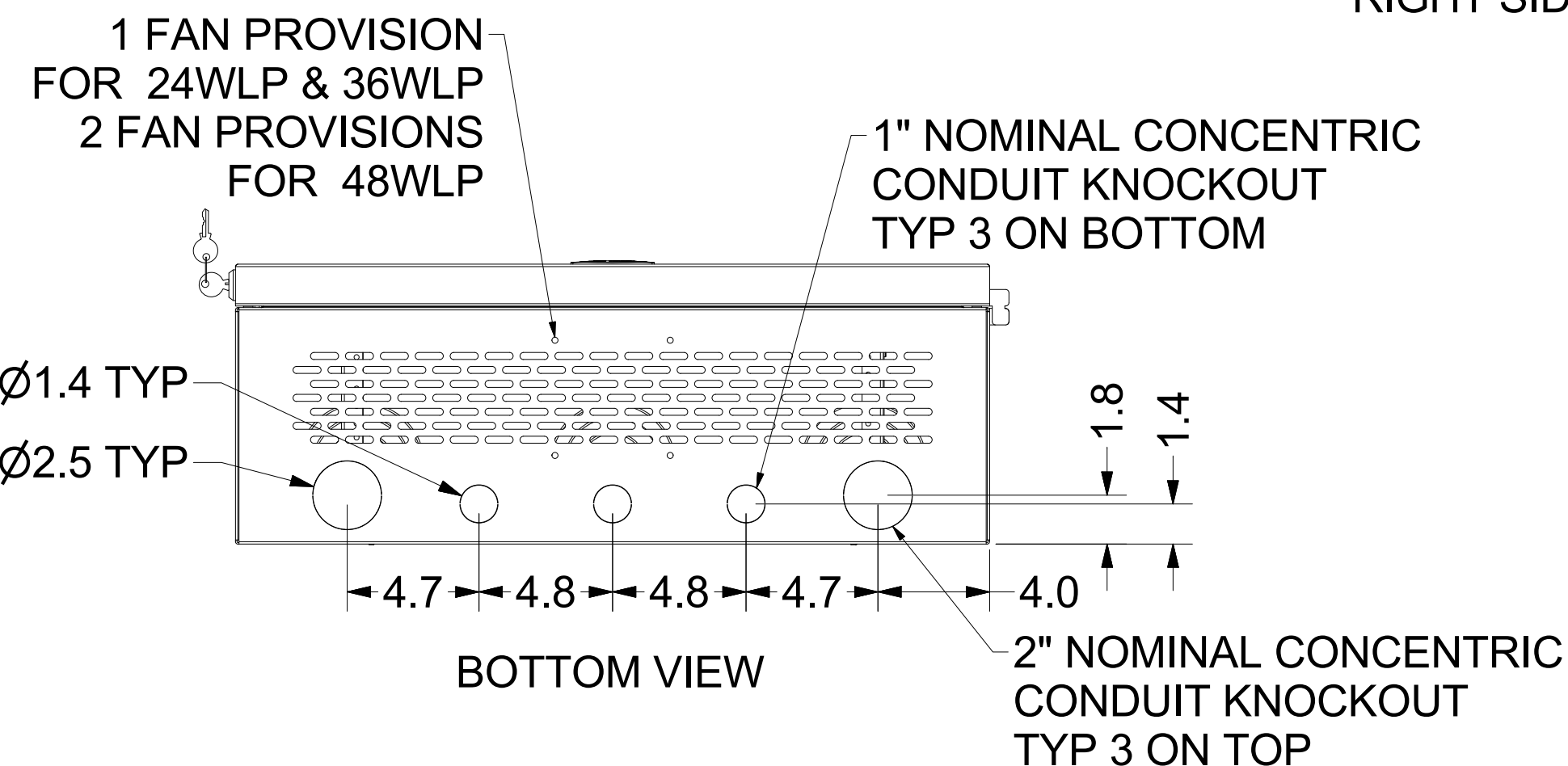
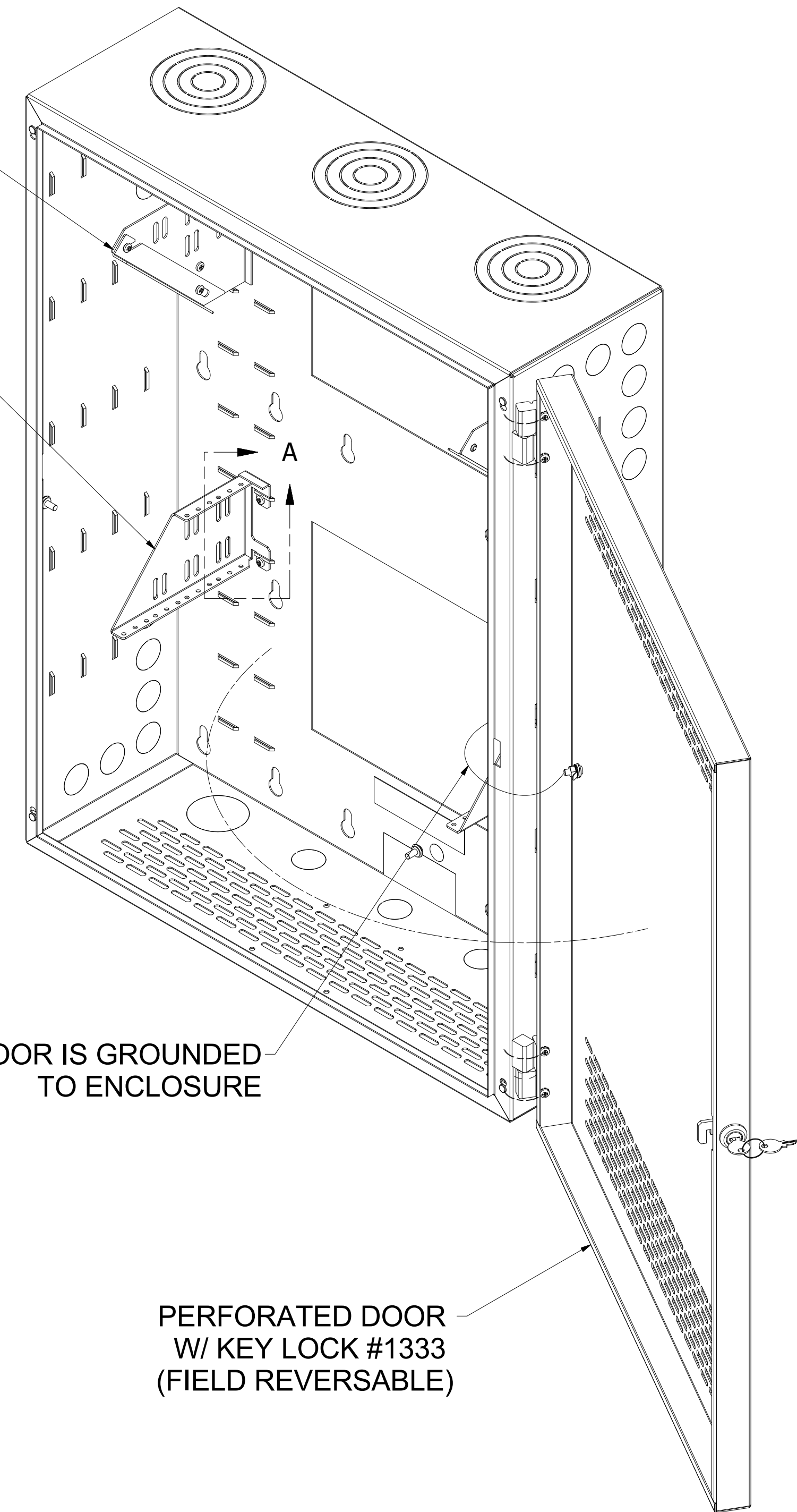
FRONT VIEW  
DOOR NOT SHOWN



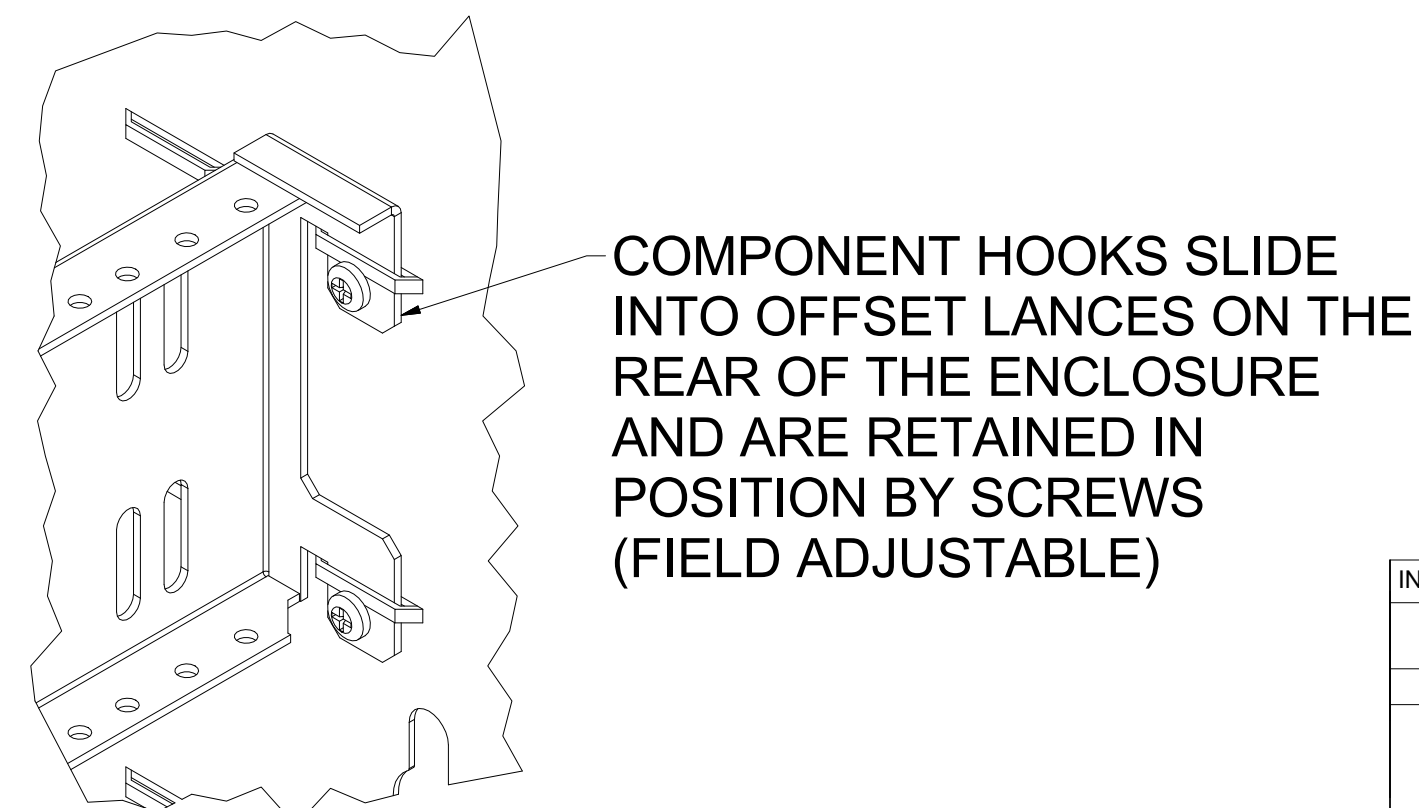
RIGHT SIDE VIEW



BACK VIEW



BOTTOM VIEW



DETAIL A

PART NO.	HEIGHT	WIDTH	DEPTH	WT. CAPACIT
24WLP	24.0"	27.0"	10.0"	105 lb
36WLP	36.0"	27.0"	10.0"	105 lb
48WLP	48.0"	27.0"	10.0"	150 lb

INTERPRET DRAWING PER ASME Y14.5M-1994  
DIMENSIONAL LIMITS APPLY AFTER APPLICATION OF FINISH  
DRAWING NOT TO SCALE  
TOLERANCE UNLESS OTHERWISE NOTED:  
ANGULAR +/- 1'  
.XXXX +/- .010  
.XXX +/- .015  
.XX +/- .030  
.X FOR REF. ONLY

**NOTICE:**  
Use of this document is subject to a confidentiality and nondisclosure agreement with Great Lakes Case & Cabinet Co., Inc. (GLCC) and may not be reproduced, disclosed or utilized in whole or in part without prior written authorization from GLCC.

PART NUMBER: <b>WLP</b>	TITLE <b>WLP SERIES WALL MOUNT</b>
MATERIAL TYPE:	GREAT LAKES CASE & CABINET CO., INC. P.O. BOX 551 EDINBORO, PA 16412 PHONE (814) 734-7303 FAX (814) 734-3907 E-MAIL glcc@greatcabinets.com
MATERIAL GAUGE:	
FINISH:	DWG NO: <b>36WLP</b>
DRAWN DATE 9/2/2015	REV
CHECKED & APP. DATE	SHEET: 1 OF 1

EST. WEIGHT :  
N/A

THIRD ANGLE PROJECTION